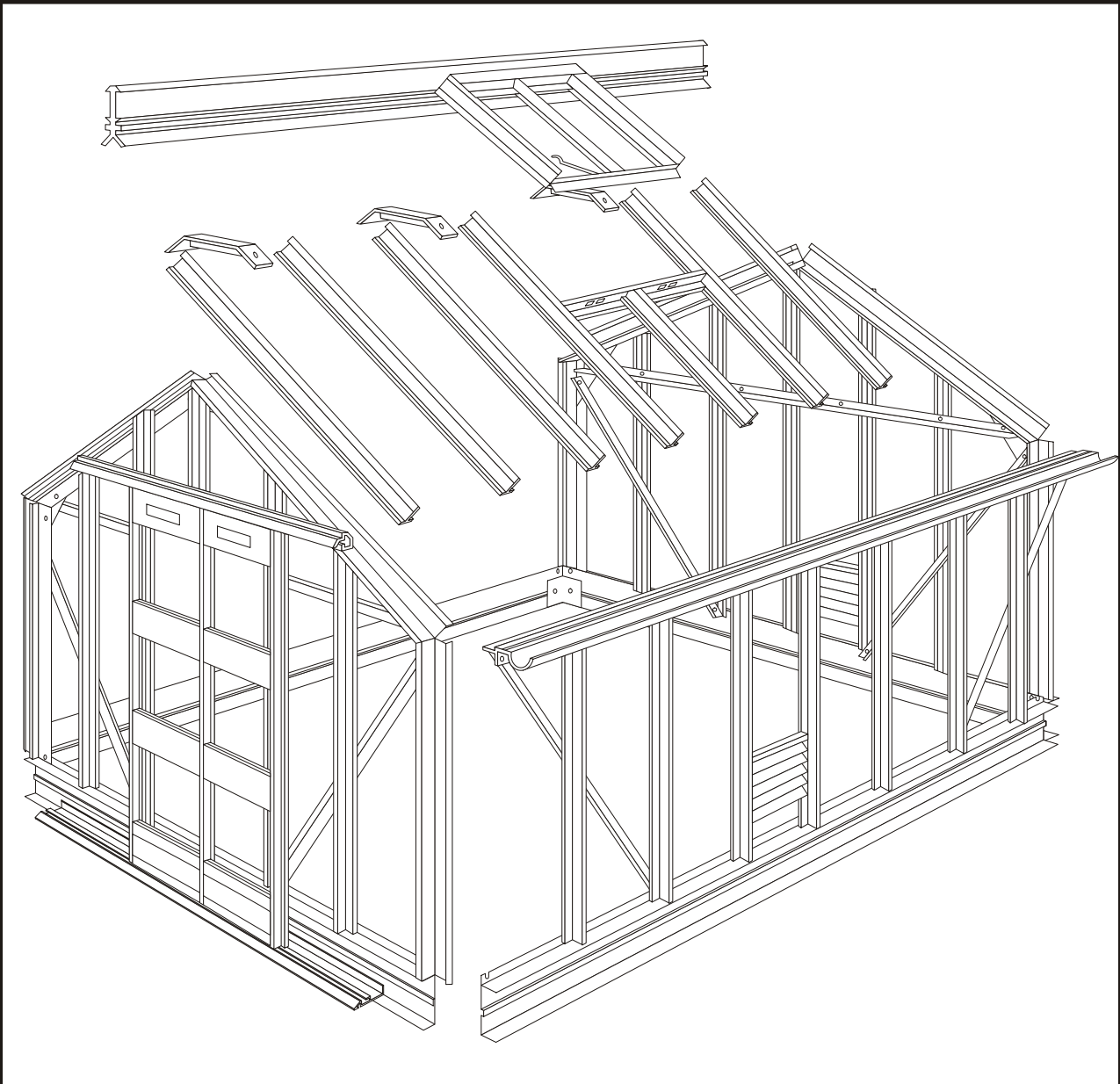




INSTRUCTIONS & ILLUSTRATIONS FOR THE
6'3" WIDE THYME



ELITE GREENHOUSES LTD

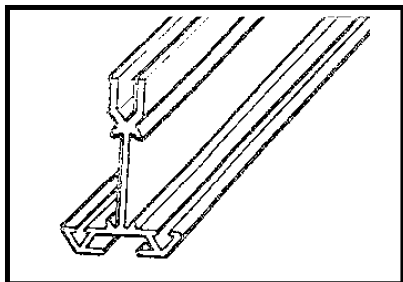
BENT SPUR ROAD, KEARSLEY, BOLTON BL4 8PD

TEL: 01204 791488 FAX: 01204 862412

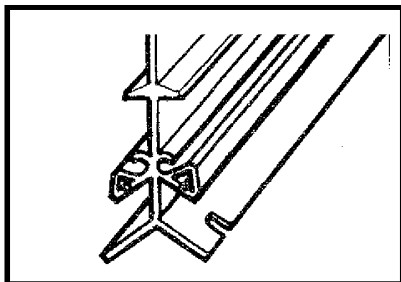
enquiries@elite-greenhouses.co.uk

www.elite-greenhouses.co.uk

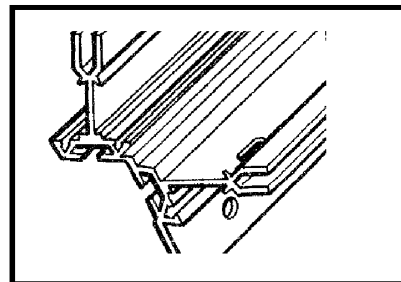
COMPONENT DRAWINGS (NOT TO SCALE)



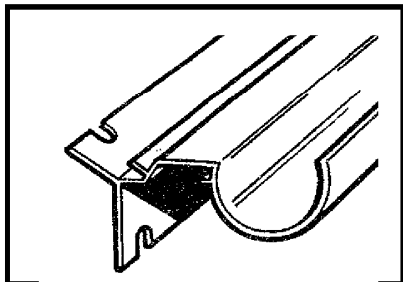
GLAZING BARS



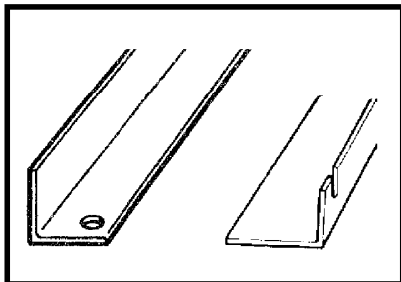
RIDGE



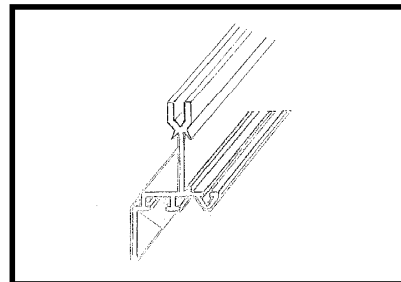
CORNER BAR



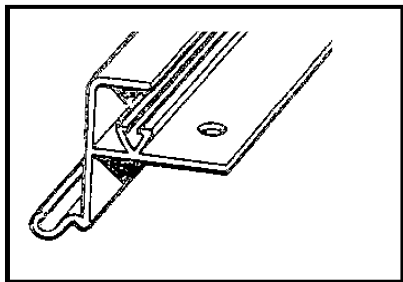
EAVES BAR/GUTTER



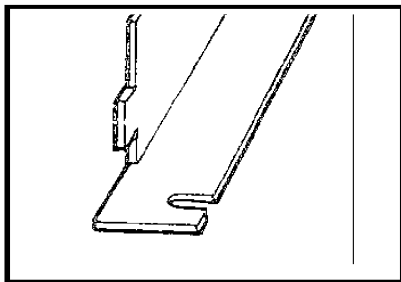
BRACING ANGLE AND SIDE/REAR CILL



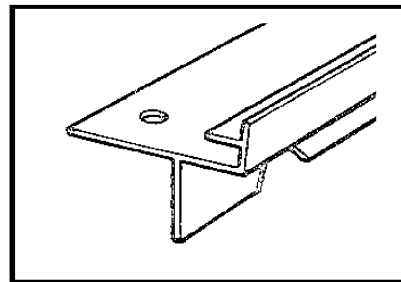
VENT SIDE RAIL



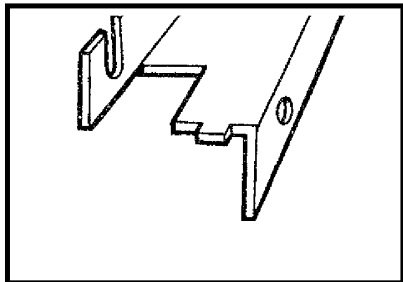
VENT TOP RAIL



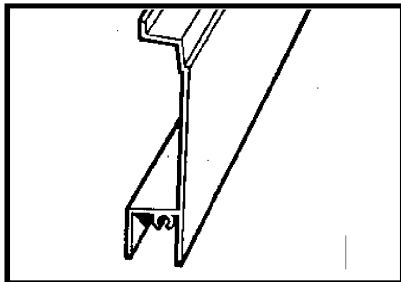
VENT SLAM BAR



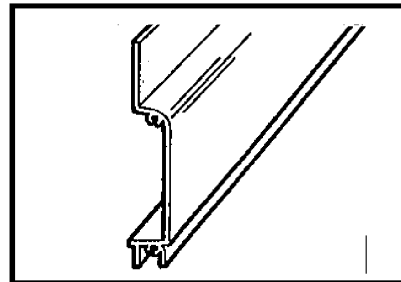
VENT BOTTOM RAIL



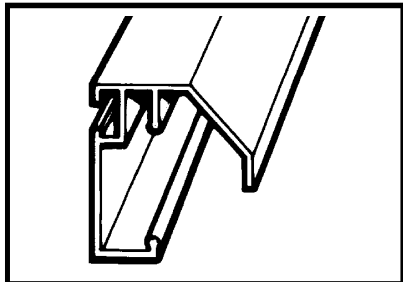
DOOR TRACK SUPPORT



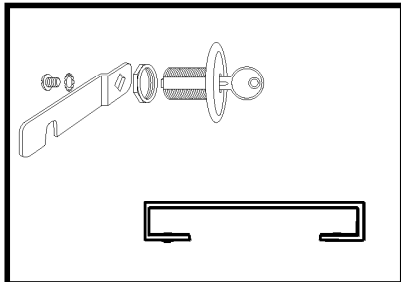
DOOR INFIL PANEL



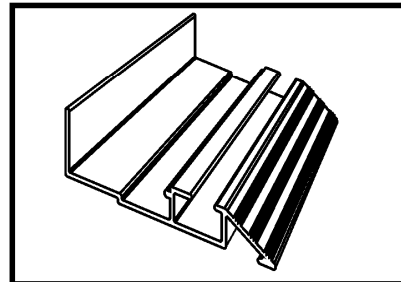
DOOR TOP/BOTTOM PANEL



TOP DOOR TRACK

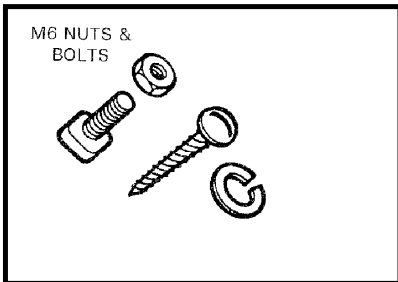


DOUBLE DOOR LOCK + HANDLE

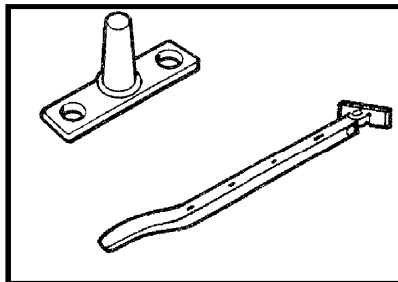


DOOR END CILL

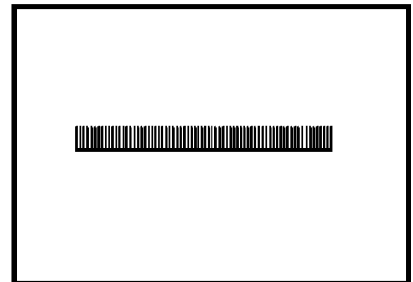
FITTINGS WITHIN THE KIT (NOT TO SCALE)



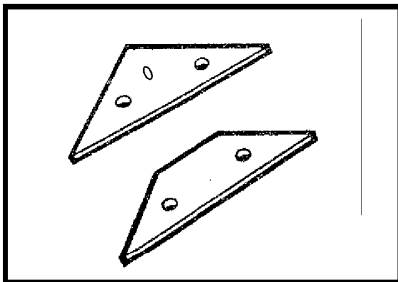
**SELF TAPPING SCREWS
SPRING WASHER**



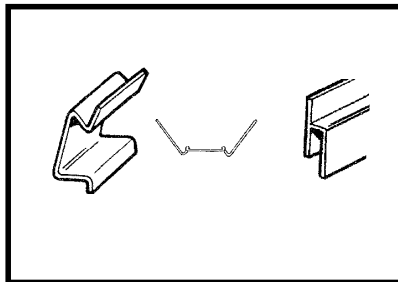
CASEMENT STAY + PINS



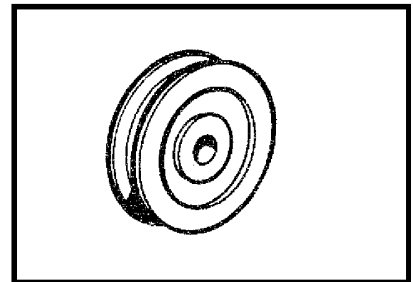
BRUSH DRAUGHT EXCLUDER



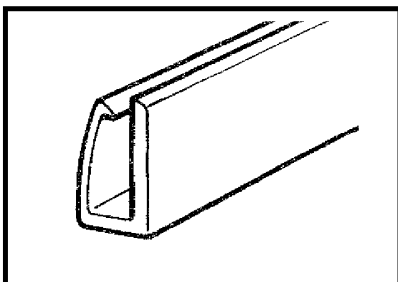
RIDGE & EAVE GUSSET PLATES



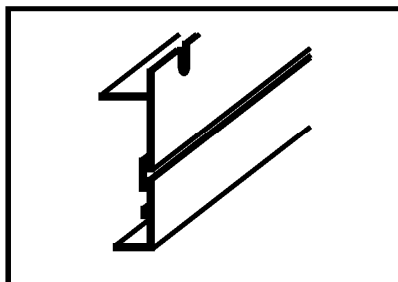
SPRING + WIRE CLIPS + MUNTIN



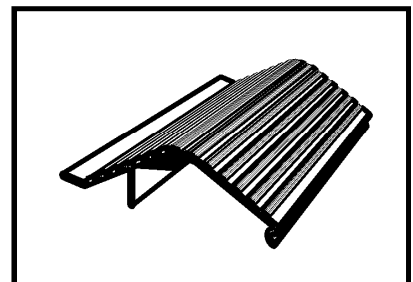
DOOR WHEEL



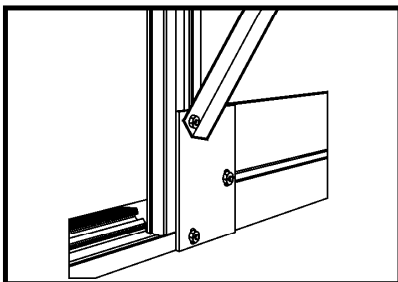
BLACK DOOR SKID



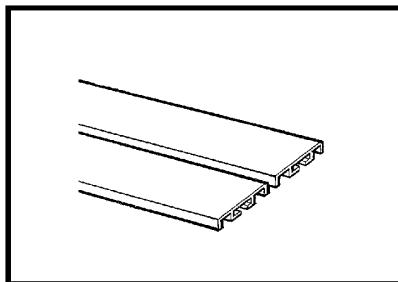
BUILT IN BASE



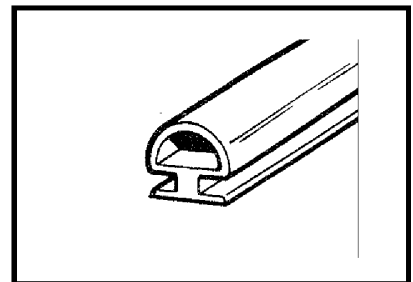
RAMP



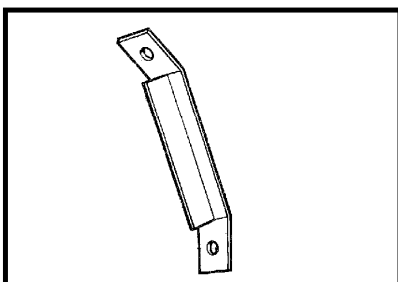
DOOR END PLATE



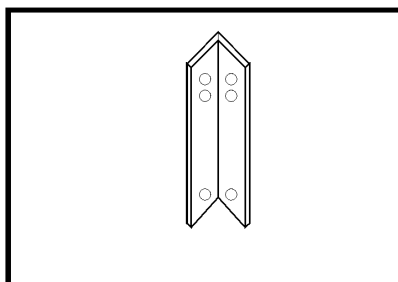
DIAMOND SHELF



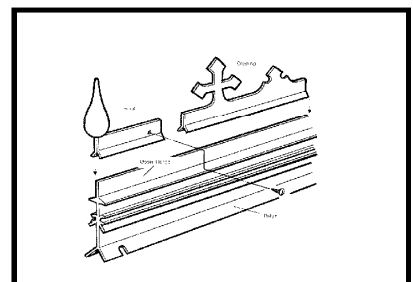
NEOPRENE BEADING



CANTILEVER BRACE



BASE LEGS (CORNER BRACKETS)



CRESTRING AND FINIAL

PARTS LIST

		4 x 6	6 x 6	8 x 6	10 x 6	12 x 6
1	Nuts & bolts M6	160	195	230	260	330
2	Band clips	258	320	374	434	490
3	Wire clips	16	20	20	20	20
4	Casement stay	1	1	2	2	2
5	Stay pins	2	2	4	4	4
6	Pins, nuts & bolts M4	6	6	12	12	12
7	Double door lock + cam	1	1	1	1	1
8	Short self tapping screws	28	28	28	28	28
9	Spring washer	2	2	2	2	2
10	Glazing beading	82m	101m	119m	139m	177m
11	Door guides	2	2	2	2	2
12	Eave plates	Taped together with one casement stay	4	4	4	4
13	Ridge plates		2	2	2	2
14	Door wheels & fittings	4	4	4	4	4
15	Ridge	1	1	1	1	1
16	Gutter / eave plate	Taped together with marked "side"	2	2	2	2
17	Cill / side built in base		2	2	2	2
18	Side braces	2	4	4	4	4
19	Door end cill	1	1	1	1	1
20	Door end built in base (Built in base model only)	2	2	2	2	2
21	Handed tab cills for door end (Dwarf wall model only)	2	2	2	2	2
22	Top door track	1	1	1	1	1
23	Top door panel	With name plate taped together and marked "door"	2	2	2	2
24	Bottom door panel		2	2	2	2
25	Middle door panel		6	6	6	6
26	Door track support	1	1	1	1	1
27	Handed/unhanded door posts	2/2	2/2	2/2	2/2	2/2
28	Cantilever bradce	3	6	9	12	15
29	Side glazing bar	6	10	14	18	22
30	Roof glazing bar	5	9	13	16	20
31	Intermediate roof glazing bar	1	1	2	2	2
32	Vent (in packs)	1	1	2	2	2
33	Door end glazing bars (various)	Taped together marked "door end"	5	5	5	5
34	Door end horizontal angle		2	2	2	2
35	Door end diagonal angle		2	2	2	2
36	Small door track support		1	1	1	1
37	Rear end cill/built in base	Taped together and marked "rear end"	1	1	1	1
38	Rear end glazing bars (various)		5	5	5	5
39	Rear end horizontal angle		1	1	1	1
40	Rear end diagonal angle		2	2	2	2
41	Corner bars in two packs	8	8	8	8	8
42	Threshold ramp	1	1	1	1	1
43	Diamond shelf for rear end	1	1	1	1	1
44	Bag of fittings (including plan)	1	1	1	1	1
45	5 blade louvre	2	2	2	2	2
46	Crestings and finials	1	1	1	1	1

HELPFUL HINTS

- Please do take your time and be sure to read all instructions carefully before assembling.
- **HELPFUL VIDEOS ARE AVAILABLE ON OUR WEBSITE**
www.elite-greenhouses.co.uk
- Do not assemble frame in high winds.
- The greenhouse frame should be anchored to a permanent foundation. This will not only help secure it against powerful wind but will help prevent breakage of the glass caused by the freezing and thawing process of the earth.
- When building your own brick/concrete foundations ensure that they are level and square otherwise your frame will not be correct and the glass will not fit.
- Be sure all four corners of the constructed greenhouse are square before installing glass, and do not install the glass till the greenhouse is on a permanent foundation.
- Do not place your greenhouse in vulnerable locations such as under trees, playing areas, etc.
- Children should not play near glass greenhouses.
- REMEMBER: glass is fragile, handle with care!
- Protective eye glasses should be worn.
- Gloves should be worn.
- If your greenhouse is a painted one there are a few 3mm holes in the end of the bars. These are jig holes for painting and have no bearing on construction. **(Key point)**.
- When powder coated, the sub-frame assembly packages may slightly differ from the standard alloy finish.
- Powder coated packages are wrapped in polythene tubing – please be careful when opening e.g. Do not run a knife down the sides as you can scratch the paintwork.

WHEN CONSTRUCTING A PAINTED MODEL PLEASE TAKE CARE NOT TO DAMAGE THE FINISH BY WORKING ON CONCRETE OR PATIOS

- **N.B. This plan covers the entire 6' wide Thyme range. The only difference between a 6ft long and an 8ft long for example are a few extra pieces of alloy, glass, nuts and bolts etc. The construction of the sub-frame assemblies is the same but for the purposes of this booklet we have used the 8 x 6 model as the benchmark. Therefore only one plan is needed.**
- We reserve the right to alter and improve our products.

INSTALLATION INSTRUCTIONS FOR THE 6'3" WIDE "THYME" MODEL RANGE (Dwarf wall and Built in Base model)

The contents of this carton are divided into the different frame assemblies that collectively make up the completed greenhouse framework.

It is recommended that each framework assembly is fully completed before moving onto the next.

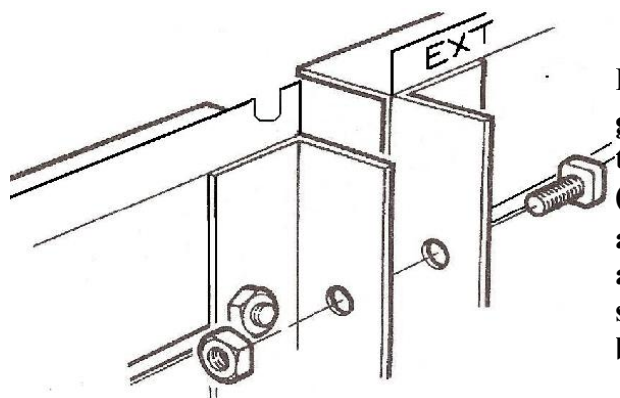
The contents are as follows:

- 1 Two side frames
- 2 Rear end frame
- 3 Door end frame
- 4 Roof vents (number dependant upon length of greenhouse)
- 5 Doors
- 6 Bag of fittings containing:
 - Nuts and bolts general assembly
 - Clips for glass
 - Casement stays for vents (1 per vent)
 - Casement stay nuts and bolts
 - Four eave plates (taped with the casement stay)
 - Two ridge plates
 - Two door wheels
 - Two door guides
 - Small self tapping screws
 - 1 Double door lock + cam
- 7 Roof bars
- 8 Coils of glazing beading
- 9 One length of ridge
- 10 Two black brush draught excluders inc. carrier

For clear identification of parts and the number required please carefully refer to the earlier pages of component drawings and parts list.

If your greenhouse is a dwarf wall model, the side cills will be the full length of the building (up to 20').

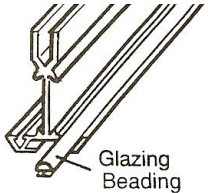
If your greenhouse is over 12'5" long the longer built in base side walls will be in 2 pieces (one of which will be an 8' extension piece) which you join together by using one extra base leg/corner bracket at the "middle end" of each side piece. The base legs in the middle return on themselves and butt up to each other to form a 'T'. Bolt them together to form a longer solid side e.g. 14', 16', 18' or 20'. Bolt both angles together via the 'spare' hole.



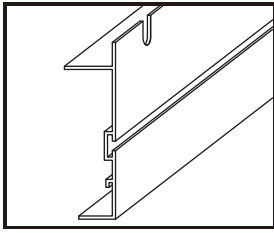
IMPORTANT: If you plan to erect the greenhouse on a patio or flagged area, you need to insert some extra bolts in the bolt channels, (generally 1 every 2'). These will be used to anchor the greenhouse to the floor later in the assembly. Also if you have ordered a partition, slide 1 extra bolt into the bolt slots of the built in base.

SIDE FRAME ASSEMBLY

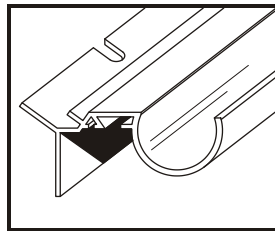
Start by assembling the side frames first.

- Slide the glazing beading into both V grooves of all glazing bars. Lay out the pieces on the ground as though you were standing inside the house, i.e. with the gutter and cill facing downwards, and the bolt channels of the glazing bar(s) upwards. For the 8x6 model, you will need 7 side glazing bars for each side. **(Key point)**.
- 
- Slide a bolt into each end of each glazing bar. You must decide the position of the louvres. Once decided, you must slide 2 bolts down each glazing bar onto which the louvre will attach. In addition, your greenhouse will come as standard with a cantilever brace to be fitted to **every other** bar. Slide a bolt into each bar that the cantilever will attach. (If you have bought an additional shelf or staging to go in your greenhouse and you intend to fit it on a side wall, use the ½” headed bolts provided with the shelf fittings).
 - Fix the combined eaves bar and gutter to the glazing bars by pushing the bolts through the holes in the eaves bar, and securing with a nut. You do not need to tighten the nuts too much at this stage, but they need to be tight enough to stop the bolts slipping out of the glazing bar. N.B. remember to omit two roof bars if you have a partition, one each side (see later detail regarding partitions).
 - Fix the side built in base/cill to the middle glazing bar by pushing the bolt through the hole in the built in base/cill and tightening as before.
 - If your greenhouse is over 12’ long (and built in base model) see description and drawing for how to join the 2 base pieces together (on previous page).
 - Correctly position the built in base/cill on the outermost glazing bars by pushing the bolts through the holes in the built in base/cill, but do not put the nuts on yet.
 - Place the angled tie bar over these bolts so that they point outwards towards the ends of eaves bar. They must be so arranged that the inside angle of the bar in each case faces towards the middle of the house (i.e. the elongated slit will be by the eaves in one case and by the built in base/cill in the other). **(Key point)**. The 8’ 10’ and 12’ models have 2 diagonal tie bars on each side. (14’ has 3/side, 16’, 18’ and 20’ long buildings have 4/side).
 - Put nuts on bottom bolts and lightly tighten.
 - If you plan to fit the greenhouse (Built in base model only) to a hard standing (flags, concrete etc.) then insert extra bolts into the bolt channel of the built in base (generally 1 every 2’). These will be used to anchor the greenhouse to the floor later in the assembly.
 - In addition, add 1 extra bolt at each end of the built in base. These bolts will be used to attach the corner brackets. **This applies for fitting onto both hard and soft standing.**
 - Do the same with the other side frame assembly.
 - Make sure that the glazing bars reach both the built in base/cill and the eaves in each case.
 - Tighten all nuts. **(Key point)**.

SIDE FRAME ASSEMBLY

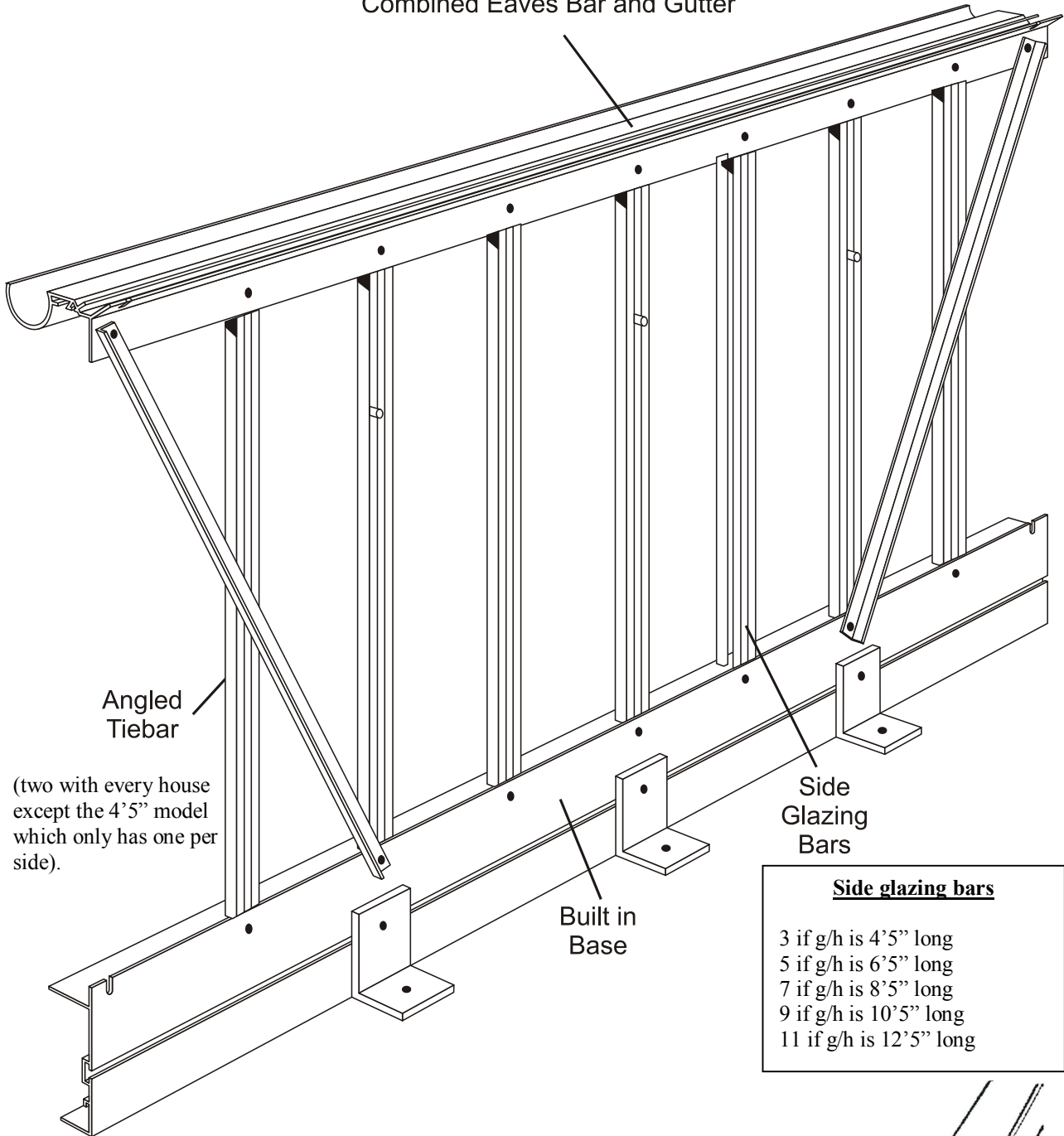


BUILT-IN BASE

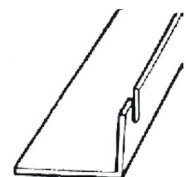


EAVES BAR GUTTER

Combined Eaves Bar and Gutter



For dwarf wall model, the built in base in the picture is replaced with the side cill.



SIDE CILL

REAR END ASSEMBLY

Components:

- 1 built in base/cill
- 5 glazing bars
- 2 roof corner bars (marked "R" at the apex)
- 2 side corner bars (unmarked)
- 2 diagonal angles
- 1 horizontal brace

From the main bag of fittings you will require the nuts and bolts and beading.

You will also require 2 eave plates and 1 ridge plate. These are packed with one of the casement stays and are separate from the main bag of fittings.

INSTRUCTIONS

Slide the glazing beading into the 'V' groove of the glazing bars and the corner bars. (Do not put beading into the middle slot of the corner bars). **(Key point)**.

Lay out the frame as though you were standing on the inside of the greenhouse i.e. with the bolt slot facing skywards. Roof corners marked "R" at the apex, opposite each other, facing downwards (i.e. "R" on outside). Roof corner bars are mitred at both ends where as side corner bars are mitred at one end only. **(Key point)**. The bolt slot is on the inside and faces inwards during initial construction. If you have a painted greenhouse there is no letter "R" on the roof corner bar. There are 4 holes/slots in your roof corner bar. Please ensure that the slotted hole is at the apex. **(Key point)**.

Slide one bolt into the bolt channel at both ends of all 4 corner bars. These will later be used in the general assembly for fixing the ridge, eave and base/cill to the ends. From underneath the roof corner bar, push a bolt into the hole at the top of the corner bar, and then put the ridge gusset plate over the top. Loosely put a nut on. Do the same at the top of the other roof corner bar.

Moving to the bottom of each roof corner bar and top of each side corner bar, do the same with the eaves gusset plate but do not put a nut on the top bolt yet. N.B. if you have a 4' long greenhouse, and the roof vent is going to fit to the rear of the greenhouse, insert an extra bolt into the roof bar bolt slot. If your roof vent is going to fit towards the front of the greenhouse, then insert the extra bolt into the door end assembly.

Attach the bottom built in base/cill to the side corner bars by inserting a bolt through the slotted hole in the flange of the corner bar and into the slot in the built in base/cill. (Make sure the bolt channel on the built in base is facing skywards.) **(Key point)**.

Attach the vertical glazing bars to the built in base/cill by inserting a bolt into the bolt channel of the glazing bars and locating it with the punched holes in the built in base/cill. Before securing the nuts attach the angle diagonal ties to the bottom of the 2nd and 4th glazing bar as illustrated. The top of the diagonal angle tie now attaches to the prefabricated holes in the side corner bar.

Slide four bolts into the bolt channel at the top of the 1st, 2nd, 4th and 5th vertical glazing bars. Secure the last one in each bar to the roof corner bars by inserting the bolt through the punched hole in the flange. Remember, if you are fitting a louvre into the rear gable, you must slide 2 bolts down each bar onto which the louvre will be fitted. **(Key point)**.

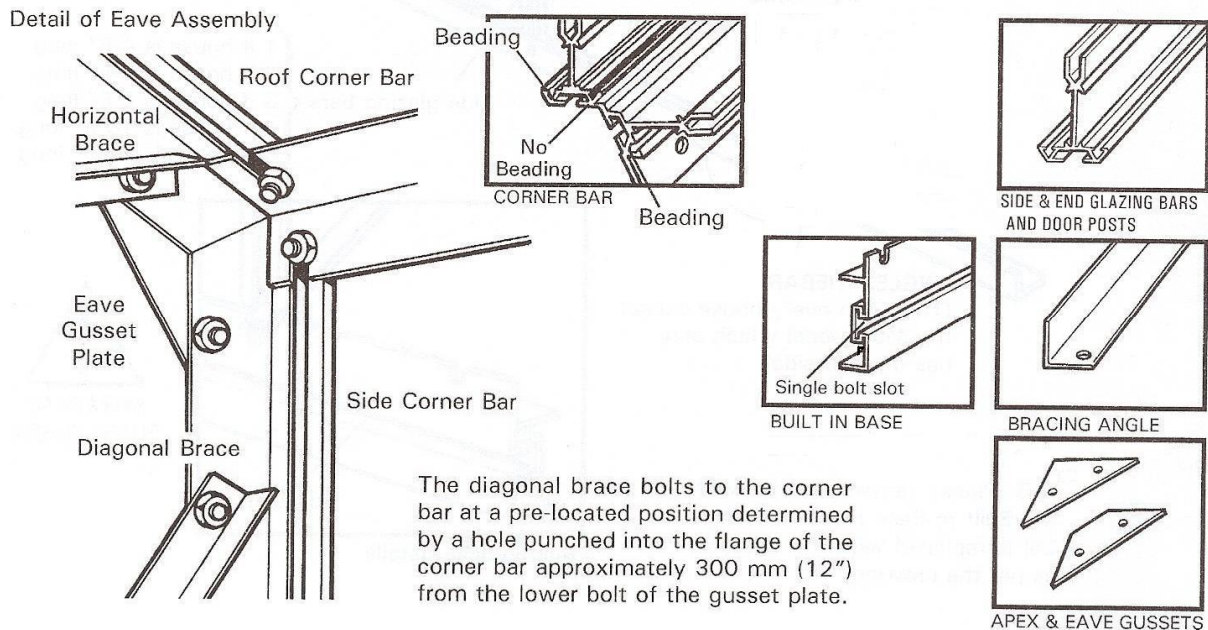
You can now attach the horizontal angle brace to the **top bolt** of the eaves gusset plates and to the other bolts in the glazing bars you inserted above. The horizontal brace does not bolt to the 1st 3rd and 5th glazing bar. The remaining bolts will be used to attach the diamond shelf. The

shelf can be fitted at any time provided the bolts have been inserted. See separate shelf fitting instruction.

Check that all angles between the base and the vertical members are at right angles and that the glazing bars are right into the built in base at the bottom. **(Key point).**

Built in base model only.

If you are positioning your greenhouse on to hard standing, you need to insert bolts into the bolt channel of the built in base in the same way as the side frame assembly (built in base model only) These bolts will enable you to attach a bolt down bracket (generally 1 bracket every 610mm plus 1 at each end of the built in base to attach the corner bracket/base leg).

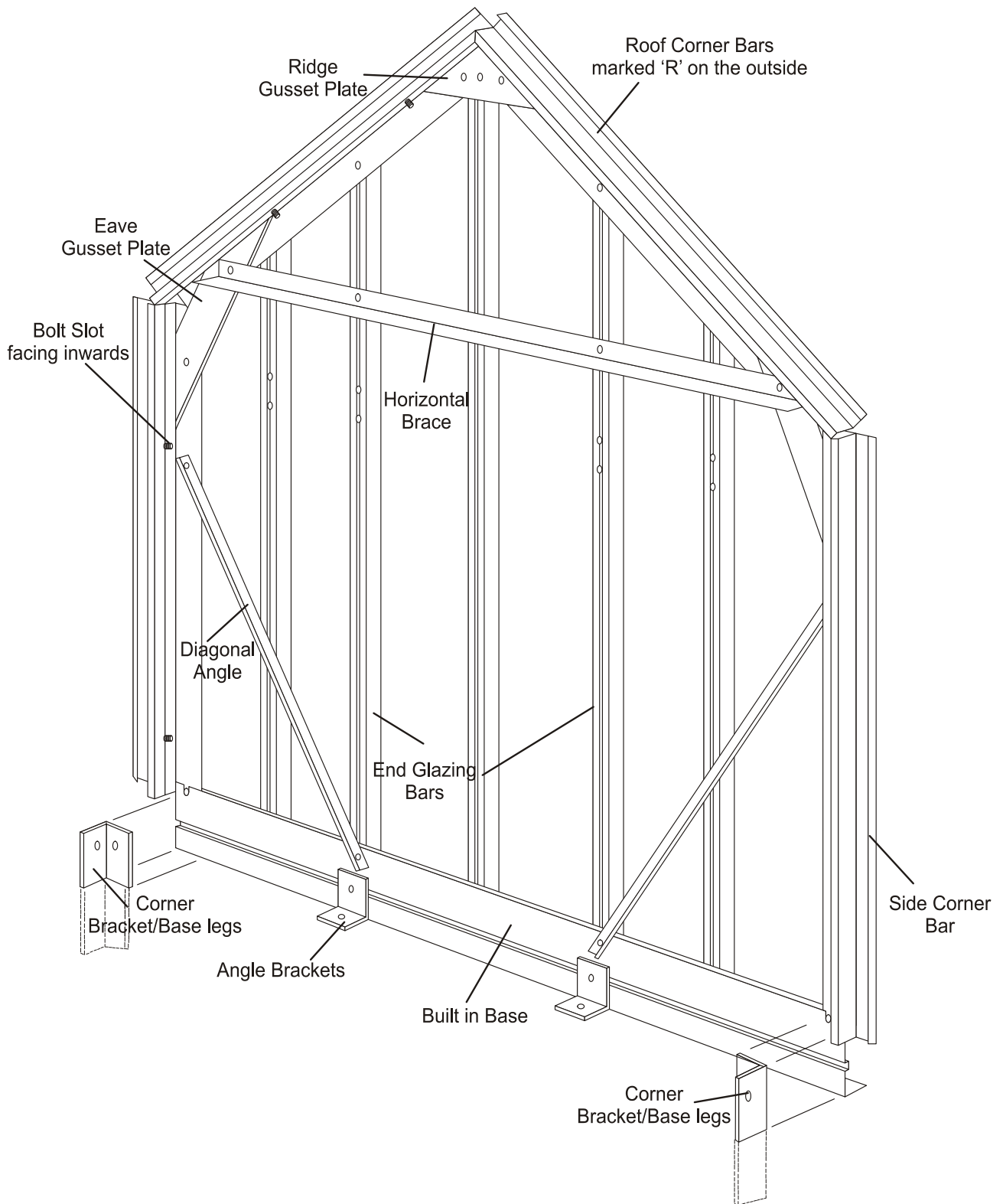


Attach the base legs/corner bracket to the end of the base, they are 400mm long and have 4 holes at one end (bottom) and 2 elongated holes at the other end (top). The elongated hole will line up with the bolt slot of the base and not the corner bar. If you are on solid hard standing, concrete or patio, you will need to cut off the base leg level with the bottom of the base. The other side of the angle will later bolt onto the side frame when you are doing 'general assembly of the greenhouse unit'. **(Key point).** If you are installing on to soft floor (grass, soil etc.) then the end of the base leg/corner bracket with 4 holes will go into the ground and be concreted later.

Move to the joint of each corner bar behind the gusset plates and by pushing and pulling the structure, you can close any gaps that might be present. Ensure that all bars are tight down to the built in base/cill.

Tighten all nuts.

REAR END ASSEMBLY



.....dotted line indicates corner bracket/base leg going into ground.

SHELF FITTING

The diamond shelf is intended to fit on the rear gable end of the greenhouse. Not only is it very functional, but it adds lots of strength to the greenhouse.

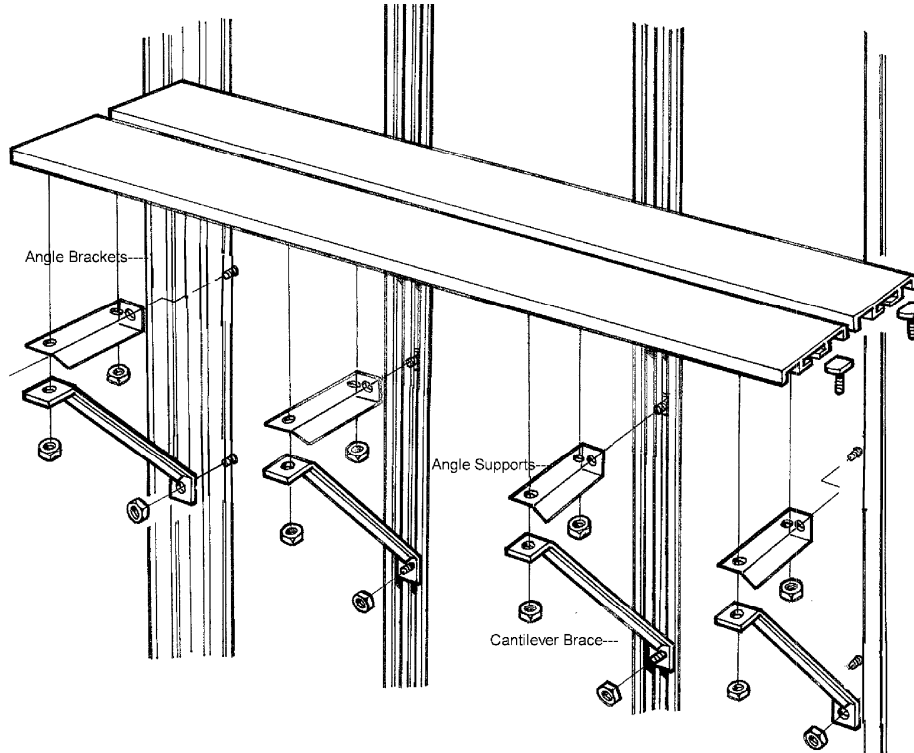
The parts required for the shelf are:

2 shelf top sections

10" cantilever braces x 4

Angle supports with 45° mitre at one end x 4

Nuts/bolts



You must decide the height you want your shelf to be fitted. Fix one of the angle supports to the top unoccupied bolt in the 1st, 2nd, 4th and 5th vertical glazing bar at the desired height (with the square edge against the greenhouse wall, mitred edge sticking out). The angle supports must be exactly the same height.

The shelf is not fitted to the corner bars when fixed to rear of greenhouse.

Attach a cantilever brace to the lower unoccupied bolt in the bolt channel of the glazing bar as shown in the diagram above. Do not attach the other end of the cantilever yet.

The shelf top section are fitted to the angle supports utilising the bolt channel on the underside of the shelf. Insert a bolt into the bolt channel of the shelf. Move into position where it will line up with the pre-drilled hole in the angle support. Put a nut on and tighten. The cantilever attaches to the angle support and the shelf top section using the same bolt (threaded onto the bolt channel of the shelf top section). Do the same with all of the angle supports for both shelf runners. You will notice that the shelf is approx. 1/2" from the back wall. This is to enable the diagonal angle to remain in position.

Where the shelf top sections are joined to form lengths over 8', the head of the bolt is secured so that it fixes the edge of both joining slats. Only 1 angle support and cantilever is required on the join.

Your shelf is now complete.

DOOR END ASSEMBLY

Components

- 1 Door end cill
- 2 Door end built in base/ cill with handed tab
- 1 Threshold ramp
- 5 Glazing bars
- 2 Short horizontal braces
- 2 Diagonal angles
- 2 Roof corner bars (marked "R")
- 2 Side corner bars (unmarked)
- 1 Main door track support
- 1 Top door track
- 2 Rectangular plates

From the main bag of fittings you will require the beading, nuts and bolts. You will also require 2 eave plates and 1 ridge plate. These are packed with one of the casement stays and are separate from the main bag of fittings, unless you have already split this pack for the rear end assembly.

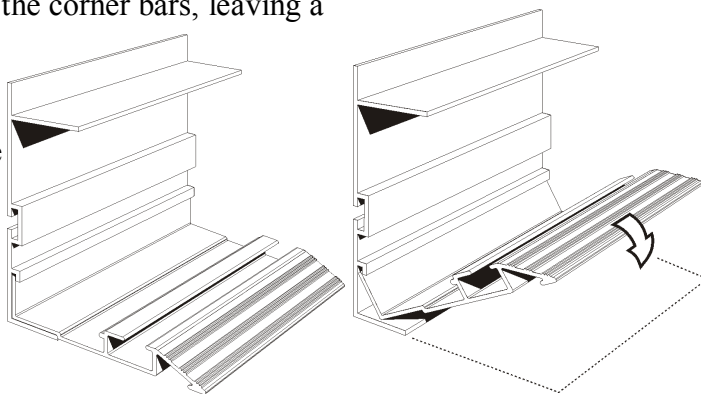
INSTRUCTIONS

Assemble the frame in exactly the same way as the rear end, up to and including paragraph 3 of the rear end. The difference with the door end is that instead of 1 long base/cill piece, the door end has 2 smaller pieces (1 either side of the door opening) and 1 door end cill. The long end glazing bars on the door end are longer than the equivalent rear end glazing bars. Please note, you only require approx. 200mm of beading in the inside 'v' groove of the 2nd and 4th glazing bars. If dwarf wall model, the cill has a tab on 1 end of each bar making it a handed bar. The tab is fitted towards the centre of the greenhouse rather than the corner bar.

Built in base only.

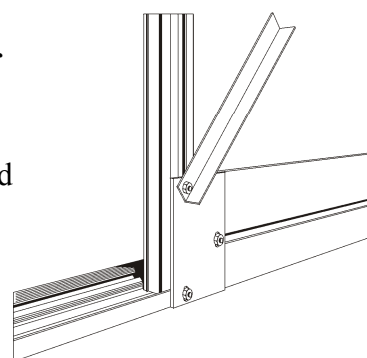
Now attach the built in base sections/cills to the corner bars, leaving a space for the door(s) in between.

Now engage the door end cill with the 2 built in base cills by pushing the angle of the cill under the locator as shown in the diagram. At this stage the cill will move freely left and right but will remain located to the built in base cill.



Slide 2 bolts into the bottom of the 2nd and 4th glazing bar and 3 bolts (only 1 if greenhouse to be sited on soft ground) into the free end of each built in base section. Attach the bottom bolt in the 2nd and 4th glazing bar to the hole in the door end cill, but do not put a nut on yet. **Note: the 2nd and 4th door end glazing bars are longer and do not sit on top of the base (as the rear end glazing bars do), they go down the side of the built in base and attach to the bottom cill. (Key point).**

Attach the rectangular plate (with 3 slotted holes) to the 2 bolts inserted in the glazing bars and the last bolt inserted into the base ensuring that the glazing bar is tight down into the angle of the door end cill. Attach the diagonal angle brace to the top bolt of the rectangular plate, and then to the bottom bolt of the eaves gusset plate. The 2 unoccupied

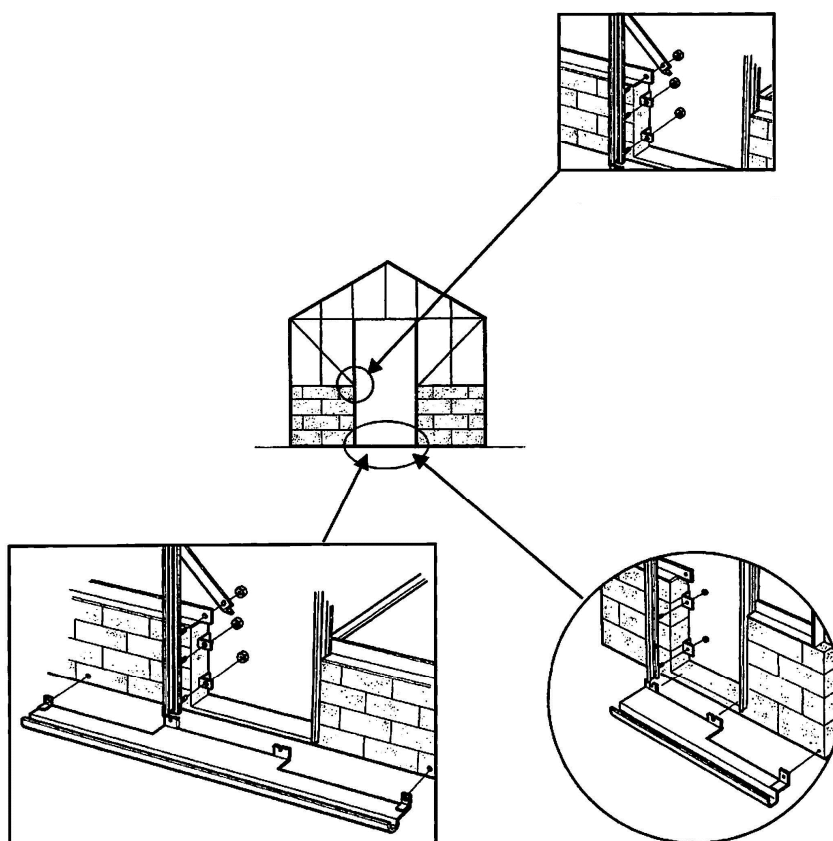


bolts in the base sections will be used to anchor the greenhouse to the floor.

Slide 2 bolts down the 1st and 5th glazing bar from the top, and 3 bolts down the 2nd and 4th glazing bar. Secure the last one in each bar to the roof corner bars by inserting the bolt through the punched hole in the flange.

Dwarf wall only.

The bottom door end cill has a section cut out at each end allowing the cill to fit inside the 2 brick pillars. The channel on the cill is outside the brickwork.

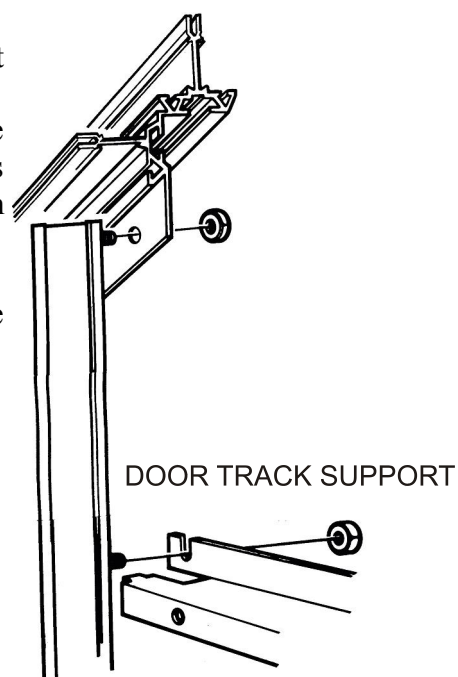


Dwarf wall only.

For dwarf wall models, insert 1 bolt into the bottom of the 1st and last glazing bar and 2 into the bottom of the longer bars. Attach 1st and last glazing bar to the hole in the cill using the inserted bolt. The higher of the inserted bolts in the longer bars attach to the hole in the tab cill, and the lower bolt to the bottom door cill.

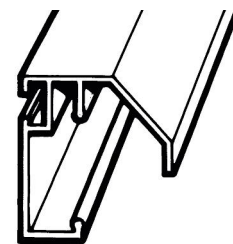
Attach the main door track support (shaped like a letter 'Z' to be found with the door panels) to the 2 vertical glazing bars approx. 130mm below the point where they meet the corner bars. **(Key point).** This 'Z' shaped bar must be fitted with the two outside slots facing upwards **not** downwards.

Now you can attach the smaller middle glazing bar to the ridge gusset plate and the unoccupied hole in the centre of the main door track support. You may need to adjust the position on the door track support to fit to the glazing bar.



The two horizontal braces attach to the **top bolt** in the gusset plate and the vertical glazing bars.

Stand the frame up and bolt the door track to the main door track support and the small angle door track support by inserting 4 bolts into the bolt slot of the door track. Position 3 of these through the 3 holes in the door track support above the door opening. The small angle door track support (which is to be fitted after the greenhouse is completely assembly, but prior to glazing) has 2 elongated holes at the top and is blank at the bottom. Attach one of the holes to the bolt slot at the back of the door track using the 4th bolt, and then by using a self tapping screw, you can attach the blank end of the bar to the continuous screw groove on the corner bar. See door end assembly. When this has been achieved tighten all nuts. (For dwarf wall models this is easier to do when the 4 sides of the greenhouse are bolted together and sitting on the wall.)



DOOR TRACK

Built in base only.

Attach the base leg/corner bracket so that it is pointing downwards. If you are fitting your greenhouse onto soft ground, then do not fit the corner bracket yet. If you are on a patio, you will need to cut the bracket off level with the bottom of the built in base and slide extra bolts into the bolt channel to be attached to the anchor bracket (generally 1 every 2'). If you are on soil, the bracket will go into the ground at general assembly.

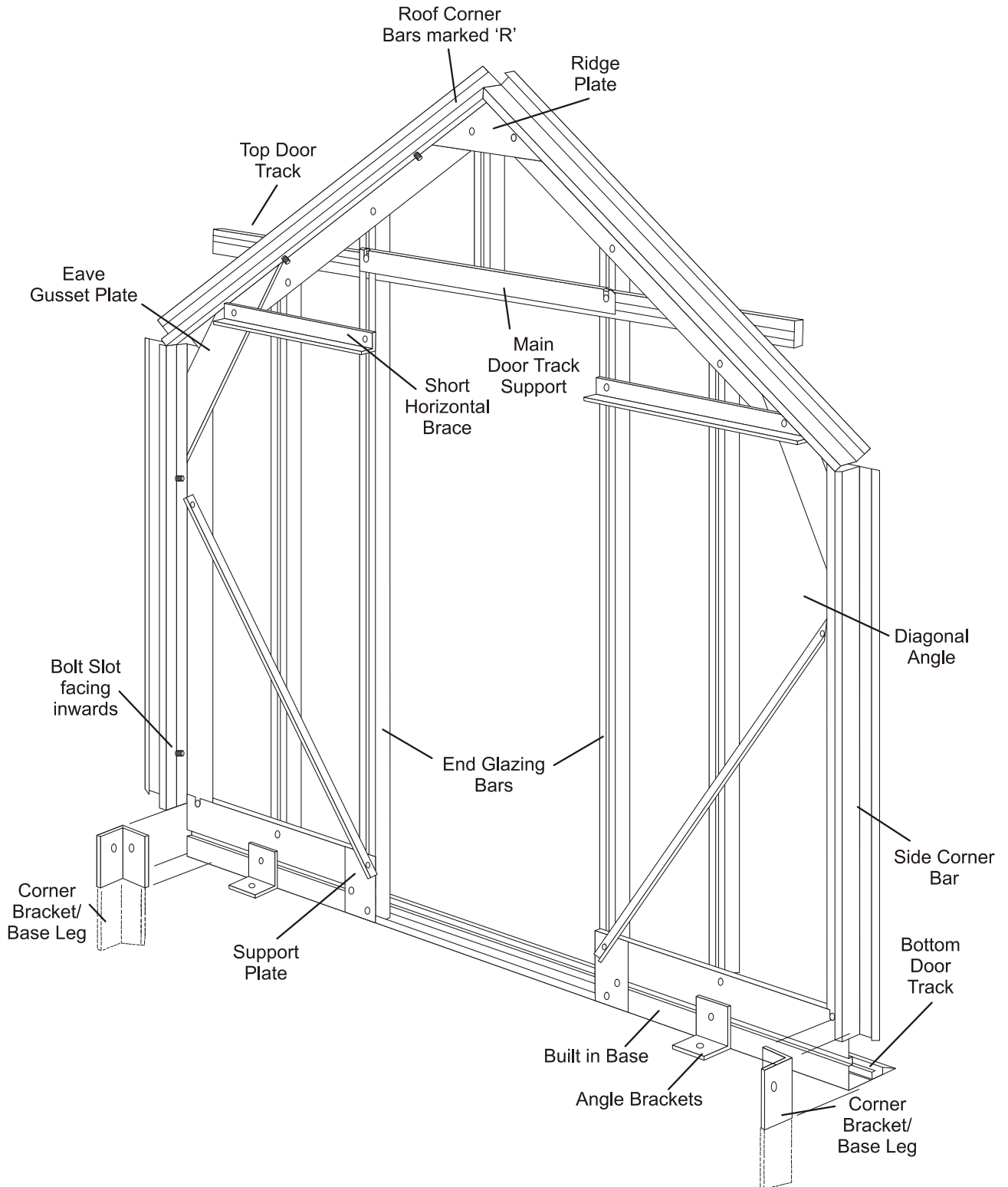
N.B. Please note carefully the correct position of the main door support. The slotted holes at either end are facing skywards NOT downwards. **(Key point).**

Now insert beading and fit the small glazing bar above the door. Attach to the middle hole in the ridge gusset plate and the slot in the middle of the main door track support. Please note, you only require approx. 150mm of beading in the inside 'v' groove of the door end glazing bars.

The two horizontal braces attach to the **top bolt (as rear end)** in the gusset plate and the vertical glazing bars. The horizontal braces do not bolt to the 1st and 5th glazing bar. Now you can attach the door end cill to the bottom of the 2nd and 4th glazing bar. You must ensure that the "U" groove is on the outside (ie facing the floor). This groove is to enable the doors to slide on the outside of the greenhouse. The threshold ramp is attached at the end of assembly so put to one side for now. For the built in base models, you have already done this earlier.

N.B. Please note carefully the correct position of the main door track support. The slotted holes at either end are facing skywards **not** downwards.

DOOR END ASSEMBLY



DOOR FRAME ASSEMBLY

Each Door consists of:

1 unhanded door post

1 handed door post (handed post for left door is different profile to the handed right hand door post)

3 infill panels (1 with pre fabricated lock hole) for lock barrel

1 top and bottom door panels

3 panels of glass which must be fitted during door assembly

It is not possible to fit glass after the door is built

From the main bag of fittings you require;

2 door wheels

1 clip on nylon door skid (this might already be fitted to the bottom door panel)

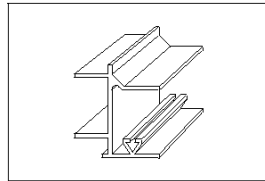
2 lengths of black brush draught excluder with PVC carrier

Door lock, self tapping screws and spring washers

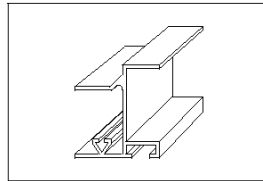
12' glazing beading

Door handle

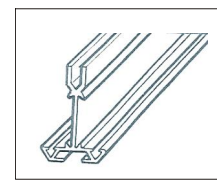
3 PVC Glass strips



HANDED DOOR POST
RIGHT HAND DOOR



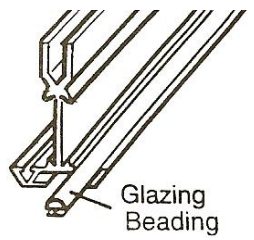
HANDED DOOR POST
LEFT HAND DOOR



UNHANDED
DOOR POST

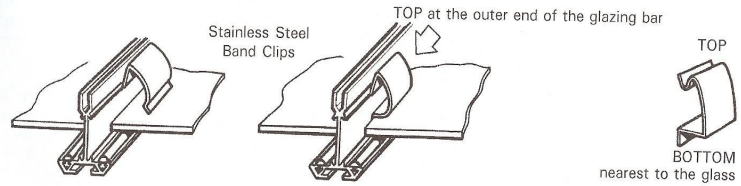
Left hand Door (viewed from outside)

Identify the correct door posts. The handed door post for the left hand door has a bolt channel, whereas the handed door post for the right hand door post does not. **(Key point).**

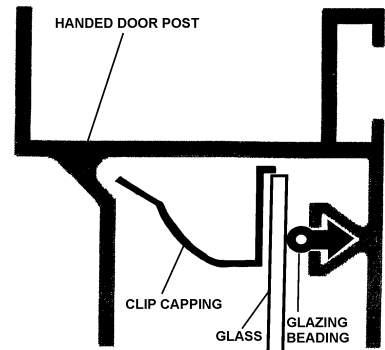
1. Place one unhanded post and the handed post for left hand door on a level surface roughly two feet apart with the bolt slots facing downwards. (Unhanded door post on the left, handed door post on the right). The top of each side post has two screw holes in it, the bottom has three. **(Key point).** Slide the glazing beading into the groove of each bar i.e. only one length of glazing beading per bar.
- 
- Glazing Beading
2. Place the top, bottom and 3 infill panels in position as shown by the position of the screw holes in the side pieces and the panels. The top panel has the greenhouse name on it. The bottom panel has the edge for the door skid to fit on. The lower infill panel locks on to the bottom panel. The infill panel for the left hand door **does not** have a pre fabricated hole for the lock barrel.
 3. Fix the left hand door post to the door panels by screwing through the door side pieces into the holes provided in the edge of the panels with the self tapping screws. The screws will go in more easily and with out danger of trying to go crooked if you can put a small amount of grease on the screw before assembling the doors. Alternatively, you could insert the screws into the screw eyes of the door panels before assembling the door, this would have the effect of pre-self tapping the panels prior to assembly, making assembly easier.
 4. **GLASS MUST BE FITTED TO EACH DOOR BEFORE THE 2ND DOOR POST IS FITTED—KEY POINT.**

- Before fitting the unhandled door post, offer the glass panels to the door (see glazing plan in booklet for glass size guide on door), slide them in from the side. Carefully attach the unhandled door post in the same way as before, ensuring the glass is sitting in the correct position (sitting on the beading channels of the door posts) before tightening the screws.

- Make sure all angles are square and tighten all screws. Now insert 2 glazing clips to the glass on the unhandled door post.



The other side of the door is clipped using a PVC glass strip (or clip cap). Cut the strip to the correct length and push into the cavity between the glass and the handed door post. The cap when fitted acts as a wedge to prevent movement of the glass. Metal clips are not fitted to this bar.



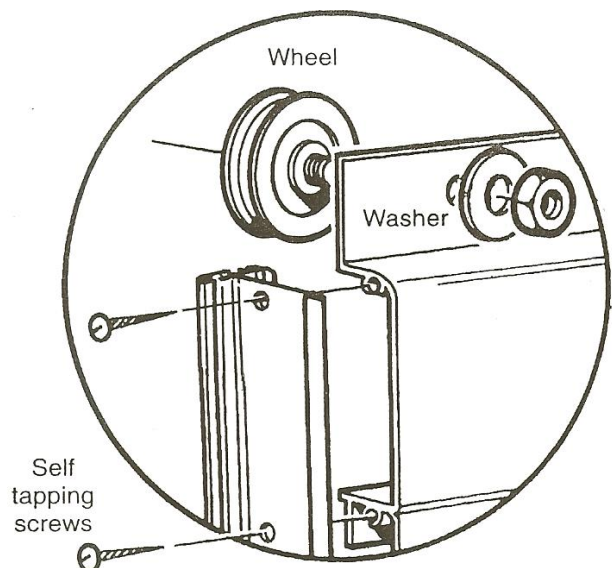
- Fix each door wheel into position by pushing the bolt provided through the centre of the wheel and then through the hole in the top door panel from underneath (i.e. from the inside of the door). Put the washer over the bolt and secure with the nut provided, tightening until there is no movement on the bolt. The nuts are lock-nuts and are harder to put on than normal nuts in general assembly. The wheel will revolve freely because it has ball bearings in it. **The wheel has a collar protruding from the centre, this collar goes against the inside face of the top door panel.** (See picture below).

- Slip the nylon door skids on each of the bottom panels. This may already have been done prior to delivery.

- Build the right hand door using the remaining handed and unhandled door post. Viewed from the outside, the handed door post will be on the left of the door, while the unhandled door post will be on the right. At this point you must decide the height you would like your door lock. The hole to take the door lock is on the left hand side of the infill panel. You can decide to fit this panel to the 2nd or 3rd panel down. **Make sure you fit the glass before final fixing of the door.** See glazing plan towards the back of this booklet.

- Thread the stainless steel backed brush extruder into the PVC carrier. This may already have been done prior to delivery.

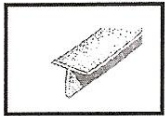
- Turn the doors over and insert the black brush draught excluder in the groove (bolt slot) in the unhandled door posts. Insert a nut and bolt at the bottom of each unhandled door post and tighten so that the brush will not slip down when the door is in its upright position. Cut off the surplus brush and carrier at the top of the bar.



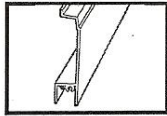
- Do not fit the door to the gable at this stage – wait until the structure is fully assembled prior to glazing.

- Door handles can now be fitted.

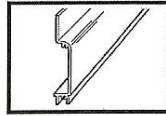
DOOR FRAME ASSEMBLY



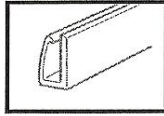
DRAUGHT EXCLUDER



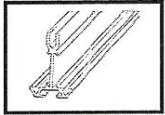
DOOR INFIL PANEL



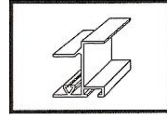
DOOR TOP/
BOTTOM PANEL



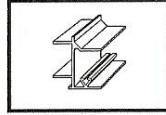
DOOR SKID



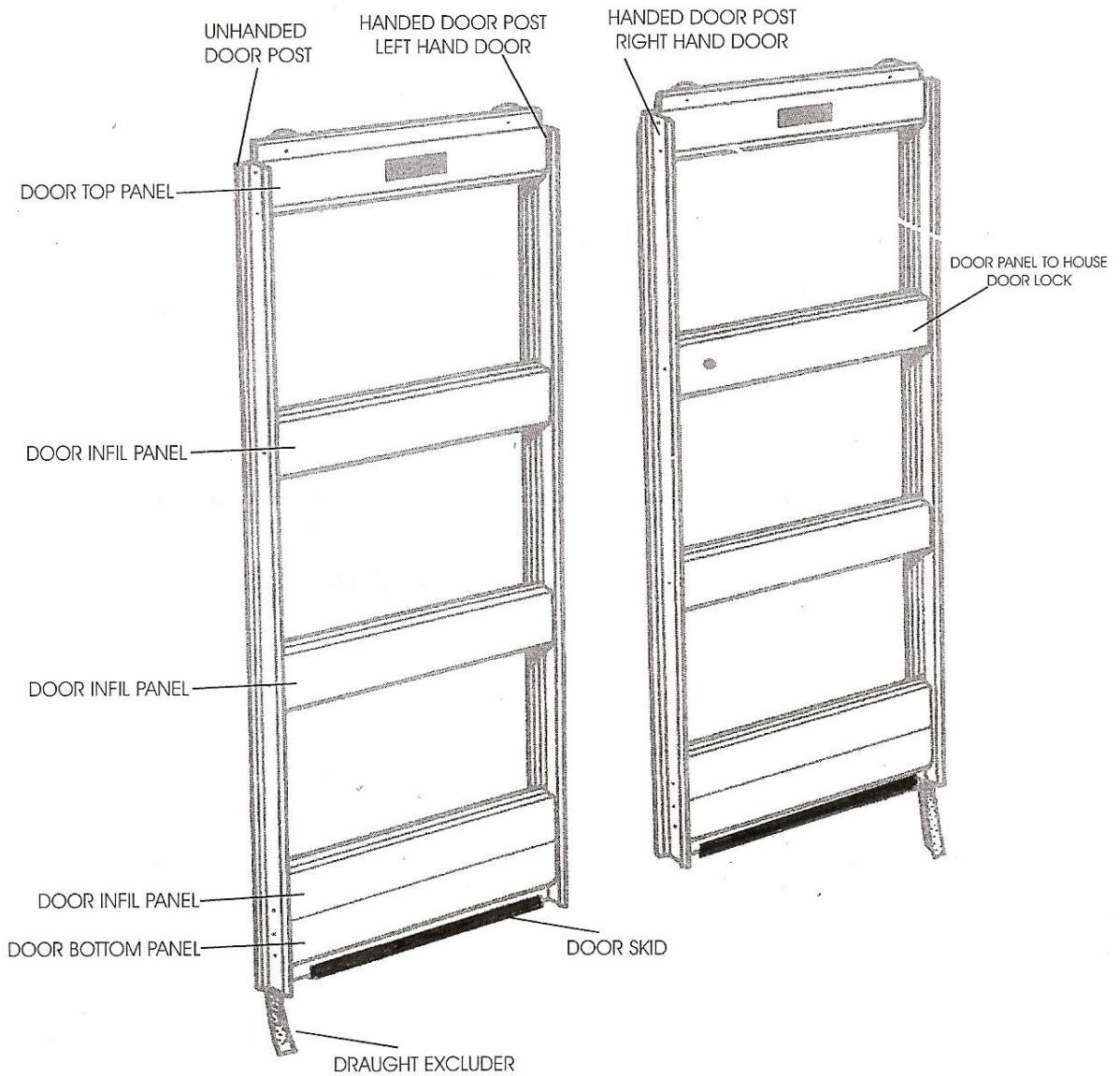
UNHANDED
DOOR POST



HANDED DOOR POST
LEFT HAND DOOR



HANDED DOOR POST
RIGHT HAND DOOR



ROOF VENT ASSEMBLY

The roof vent pack has 6 pieces of aluminium: and from the main box of fittings you require: 10' of glazing beading, 1 casement stay, 6 nuts and bolts, 6 M4 stainless steel nuts and bolts, 2 casement stay pins,

PROCEDURE:

Identify the slam bar and attach the 2 stay pins to the outer side of the angle using the M4 stainless steel nuts and bolts. The slam bar is a piece of 40 x 25mm angle cropped at each end to accommodate the glazing bars.

Lay the 5 edge pieces of the vent on a level surface as though you were on the inside of the vent (with the bolt slots of the side bars uppermost and the 'v' slots of the bottom rail uppermost. The top rail is arranged in such a way that the squared off (this face is notched with a 'V') end is to the bottom and the hooked hinge uppermost).

Slide the glazing beading into the slot in the side and top rails and the intermediate glazing bar and trim to suit.

Insert a bolt into each end of the side rail bolt slots, put these bolts through the holes in the top and bottom rails, add nuts and lightly tighten. Check that all joints are secure and that the vent is square.

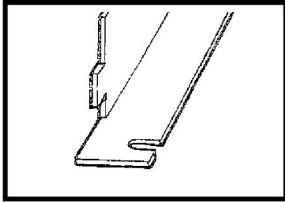
Fit the casement stay using the M4 stainless steel nuts and bolts, putting the bolts through the holes in the saddle of the stay through the 2 elongated holes in the bottom rail. Hole the nuts in place and tighten the bolts with a screwdriver. You must fit the casement stay before fitting the intermediate glazing bar. **(Key point).**

The intermediate glazing bar can now be attached to the central hole in the top vent rail and also to the hole in the bottom vent rail.

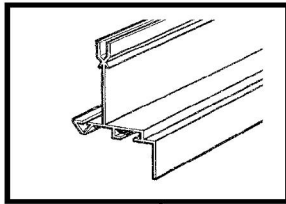
Check that both side rails and intermediate glazing bar are fastened tight to the top and bottom rail and pushed up/down as far as possible. Tighten all nuts.

Do the same with the other vents if applicable.

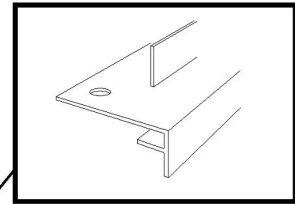
ROOF VENT



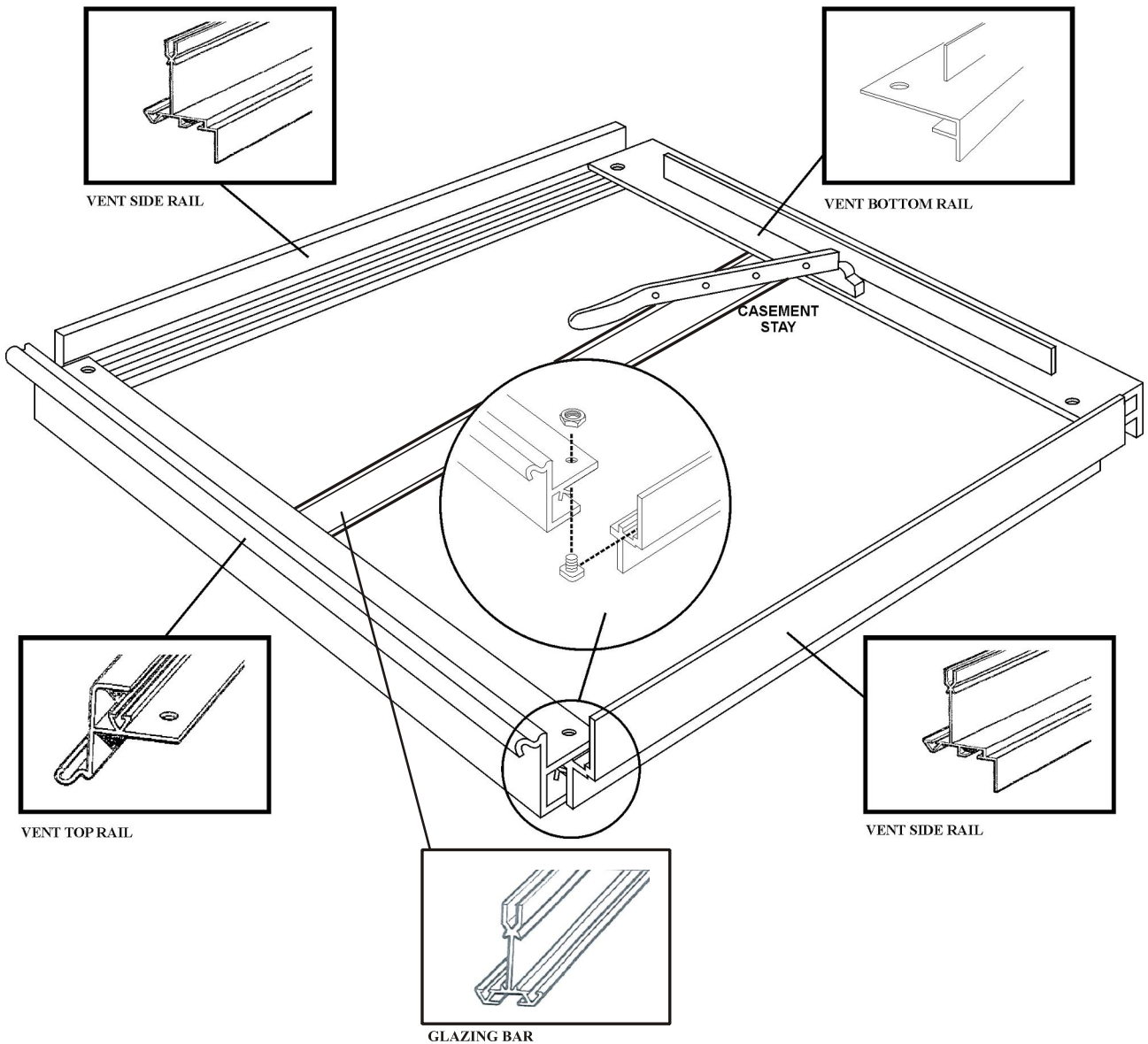
VENT SLAM BAR
(FITTED TO ROOF LATER IN ASSEMBLY)



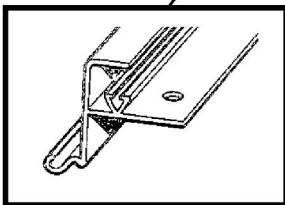
VENT SIDE RAIL



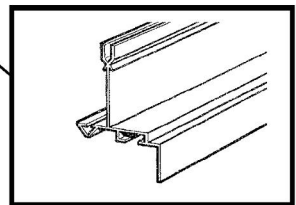
VENT BOTTOM RAIL



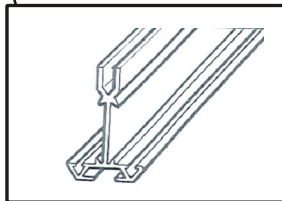
CASEMENT
STAY



VENT TOP RAIL

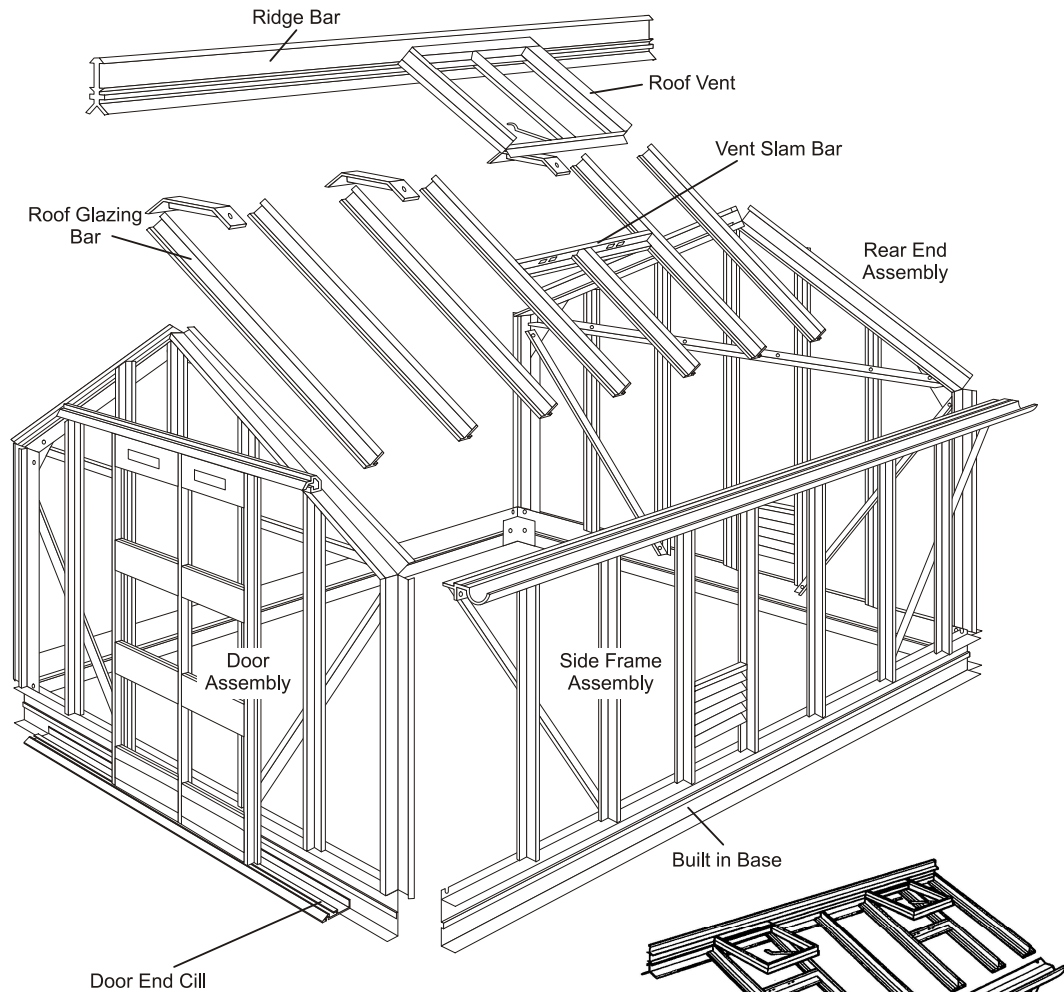


VENT SIDE RAIL



GLAZING BAR

ASSEMBLY OF GREENHOUSE UNIT



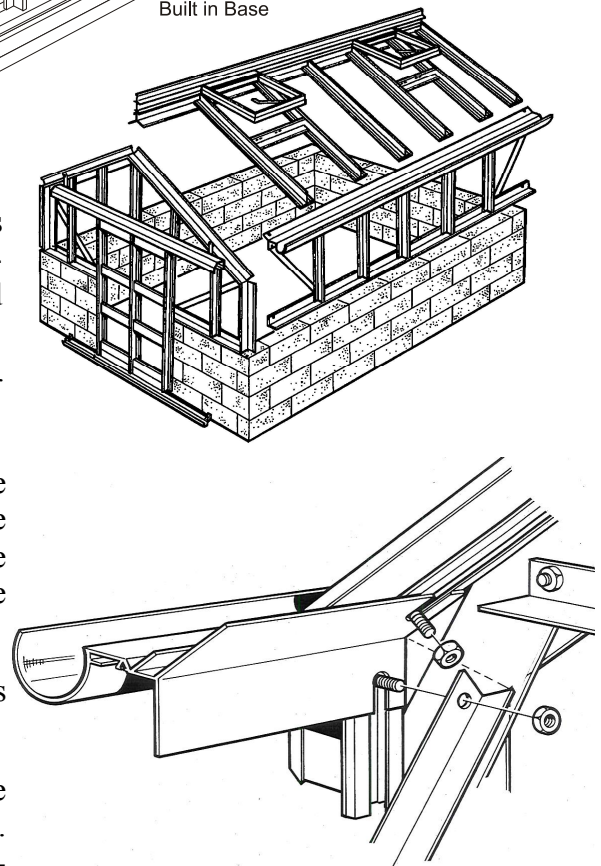
The first operation is to connect the two side frames to the end frames to form the outer shape of the completed structure. Another pair of willing hands would be useful at this stage.

1. Lift the first side frame into its position by the rear end.

2. Slot the eaves bar into the small space between the roof and side corner bar so that the gutter is outside the end frame and the two flanges that form the angle of the roof and side are inside and tight up against the bolt slots of the roof and side corner bar. **(Key point).**

3. The extra bolts that were inserted in the bolt slots during the gable end assembly can now be used.

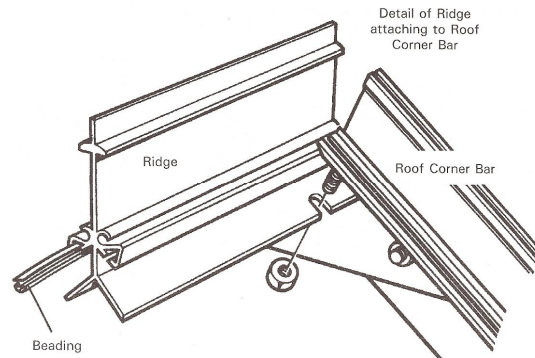
4. Line up the elongated holes in the flanges of the eaves with the bolt slots and slide the bolts into them. Put a nut on the top bolt and tighten up. Place the diagonal side angle onto the bottom bolt, put a nut on and tighten up. **(Key point).**



5. The bottom cill/built in base attaches to the inside of the corner bar. The bolt placed in the corner bar bolt slot at gable end assembly will slide down into the slotted hole at the end of the cill/built in base.

6. Do the same at the other three corners. (For dwarf wall models, it would be easier to attach the 4 sides of the greenhouse in situ on top of the wall).

7. Slide the beading into the two V slots of the ridge bar, then attach the ridge to the roof corner bars by inserting the end of the ridge through the small gap in the corner bars at the top. The vertical part of the ridge will be outside and pointing skywards and the two flanges that form the angle of the roof will be inside, tight up against the bolt slots of the roof corner bars.



8. Line up the slotted holes at the end of the ridge with the bolt slots, in the corner bars and push the two bolts, previously inserted during gable end assembly, into the slots. Put on nut and tighten.

9. Slide the glazing beading into the groove of all the roof glazing bars.

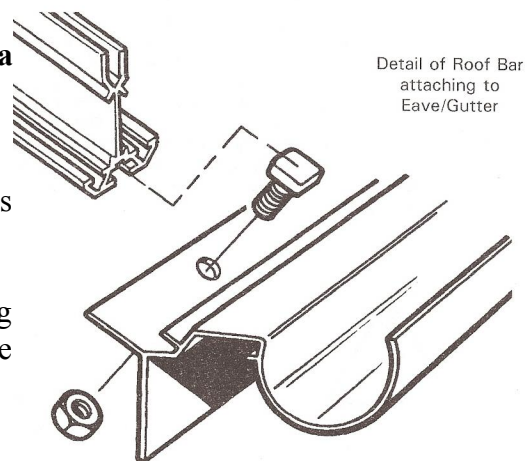
10. Before fitting the roof bars, you must decide on the position of the roof vent(s) and insert 1 additional bolt per bar onto which the vent will be fitted. This bolt will allow the slam bar fitting. In addition, your greenhouse comes as standard with cantilever braces on every alternate bar (unless you have purchased additional cantilever bars). For each cantilever bar you must insert 1 bolt into the bolt channel of each roof bar the cantilever will attach to. Please ensure you match the cantilever position for the roof bars with the position on the sides.

11. The roof glazing bars can now be attached to the ridge and gutter. Attach them to the ridge first by sliding a bolt into the bolt slot of the glazing bar, inserting it through the hole in the flange of the ridge. Put a nut on and tighten up. When you have decided the position of the roof vent(s), you must temporarily omit the roof glazing bar which would intersect the vent. This bar is shorter in length and cannot be fitted until the slam bar is fitted.

**N.B. remember to omit two roof bars if you have a partition, one each side.
(See later detail regarding partitions.)**

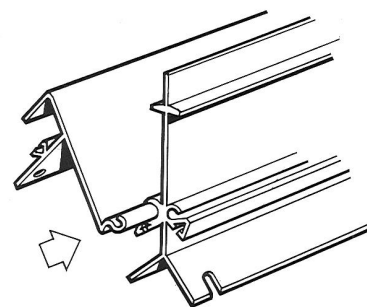
12. Then attach the final nut and bolt to the eave bar as illustrated above.

13. Secure the cantilever braces to the framework using the nuts and bolts previously inserted during side frame assembly and roof assembly.



Before sliding the vent onto the ridge, slide a piece of vent tube into the vent hinge socket. Slide the vent onto the ridge from either end and into the desired position.

The vents can go in any position (except adjacent) on either side of the ridge. Fit the slam bar immediately under the vent bottom rail and secure with the bolts previously inserted in the roof bars. Now you need to fit the intermediate roof glazing bar from the gutter to the unoccupied hole in the slam bar(s). The precise position of the slam bar can be determined by inserting the correct pane of glass (see glass plan at the back of this booklet) under the vent and moving the slam bar down to touch the glass.



Do not fit the door at this stage.

CORNER BRACKETS/ BASE LEGS (BUILT IN BASE MODEL ONLY)

The corner bracket/base legs (approx. 400mm) has 4 holes and 2 slots per bar. The 2 slots are to be secured to the bolt channel of the built in base using the bolts inserted earlier.

For fixing to hard standing, offer the corner bracket/base legs to the base with the end of the brackets with 4 holes pointing down. Mark on the bracket where it is level with the bottom of the built in base. Cut off the bracket and discard the end with 4 holes. Fix the remaining part of the bracket to the bolt channels of the base in each corner of the greenhouse.

For fixing on soft standing, attach the bracket in the same way as above, but do not cut. The part of the bracket pointing down will be lowered into the hole in the ground that you have already dug.

PATIO FLOOR

Having established the square of the greenhouse, attach a corner bracket/base leg onto each bolt previously inserted during base assembly, drill the patio or concrete in the required positions, fit plastic plugs and screw the brackets firmly to the ground using 35mm x 8mm round head screws. (Screws and plugs not supplied).

SOIL FLOOR

Determine the square of the greenhouse as described above, dig holes approx. 12" (300mm) in each corner, make a mix of concrete and put a couple of shovelfuls around the base of each stake. When the concrete has gone off back fill with the soil excavated earlier on.

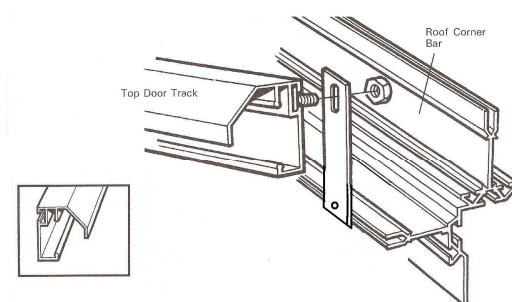
DO NOT ANCHOR DOWN OR CONCRETE UNTIL YOU ARE CERTAIN THE GREENHOUSE (INCLUDING ROOF) IS LEVEL AND SQUARE.

FITTING THE DOORS TO THE STRUCTURE

The door slides onto the frame from the left hand side. Install the right hand door 1st. Put the door bottom rail into the bottom door track and slide to the right, feed the first wheel into the upper door track and move further to the right until the black draught excluder butts up to the end glazing bars. Carefully ease the door past the glazing bar and feed in the second wheel. Push further to the right until the right hand edge of the door is close to the edge of the top track. Then insert the left hand door in the same way. The doors will now run quite freely. To square up the door with the spacing, undo the upper bolts holding the door track. There is a little play to facilitate “fine tuning” of the door. **(Key point).**

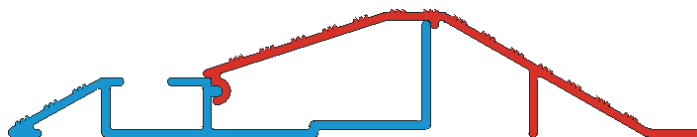
Loosely attach 2 flat bars to the bolt channel of the door track (1 each end) and allow to hang vertically downwards. The flat bar has 2 holes. Attach the larger hole to the door track by inserting a bolt into the channel of the track. Now slide the flat bar along the door track until the point that the smaller hole of the flat bar meets the self tapping screw groove of the roof corner bar. If you are happy that the doors are running smoothly, insert a self tapping screw into the smaller hole of the flat bar and in turn into the self tapping groove and tighten. Repeat on the other end of the door track. This attachment will support the weight of the doors when they are in the open position.

After fitting the doors, you may need to lower the door skid so that it engages with the bottom door cill to allow smooth movement of the door. Lower the skid on each door and insert a self tapping screw at each end of the skid to reinforce the position.



FITTING THE RAMP

The final aluminium piece of the greenhouse is the door end ramp cill. The ramp is attached to the door end cill by engaging the nub of the door end cill to the ‘C’ groove of the ramp. The ramp is now rotated to horizontal. Drill a hole at each end approx. 20mm in from the end of the ramp and into the floor. Plug and screw.



If you are fitting onto soft ground, you must ensure that a solid material is underneath the ramp to avoid damage when you step on the ramp to enter the greenhouse. You can lay a row of bricks sunk to ground level, a concrete flag, a piece of aluminium base pressed into the ground to ground level or something similar. You can then screw the ramp into the support material for a secure fixing.

FITTING THE DOOR HANDLES

The handles are fitted to the infill panel on each door (choose between 1st or 2nd panel down). Position the handle centrally, and mark the hole position. Drill 7mm diameter holes (2 holes per door), then fit the handles, and secure with a nut and bolt.



DOOR HANDLE

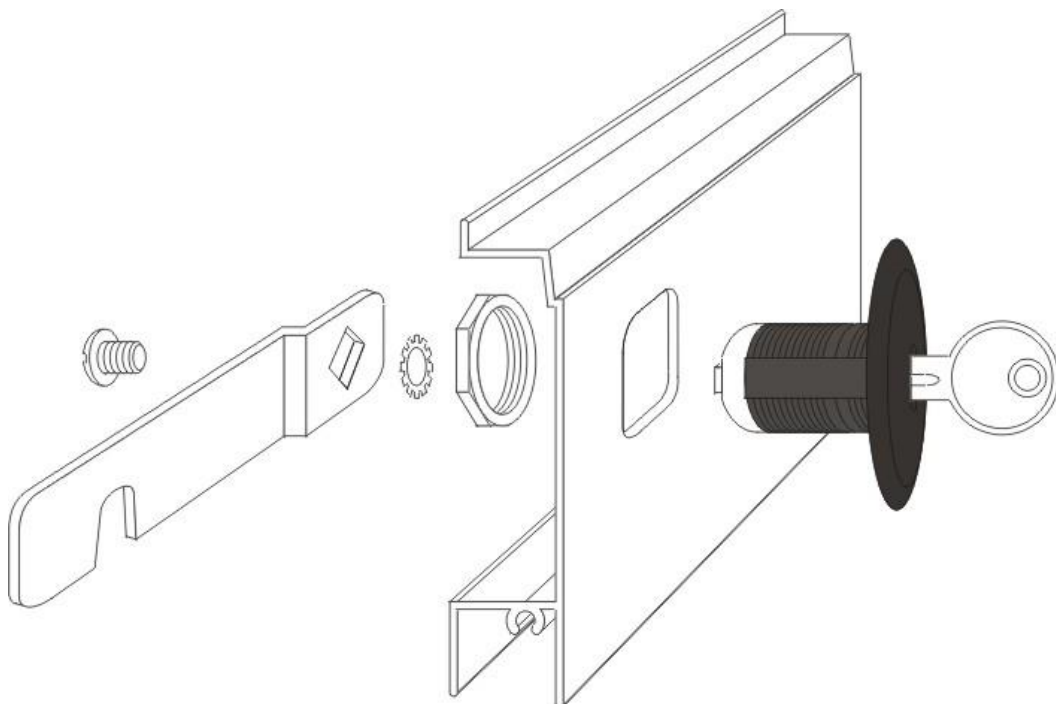
FITTING THE DOOR LOCK

The door lock must be fitted after the doors are in position. **(Key point)**. Undo the ring bolt from the door lock, and insert the barrel through the hole in the panel from the outside. Reattach the ring bolt to the barrel on the inside, and tighten.

Now attach the cam lever, washer and screw to the door lock from the inside position of the door.

The lock will turn through 90 degrees both ways, so you must ensure the cam (when fitted) is pointing skywards (unlock position) and horizontal (locked position).

Now using a cropped head bolt, attach the domed pin to the bolt channel of the handed door post on the left hand door (viewed from outside). Move the pin up or down in the channel so that the notch on the cam locates comfortably when horizontal. Tighten all components.



FINISHING OFF

To prevent the door from sliding past its opening, you must fix 4 angle brackets to the door end assembly. Insert a cropped head bolt into the bolt channel at the top of the right hand glazing bar (viewed from the inside) and fix an angle bracket as shown in the picture below.

The bracket must be fitted at the same height as the door panel so that, as the door moves left or right, the bracket prevents the door from moving too far along the top door track.

Repeat at the bottom of the door.

Repeat for the 2nd door.



To facilitate smooth running of the door, fit 1 flat bar at each end of the top door track.

The flat bar has 2 holes of different size.

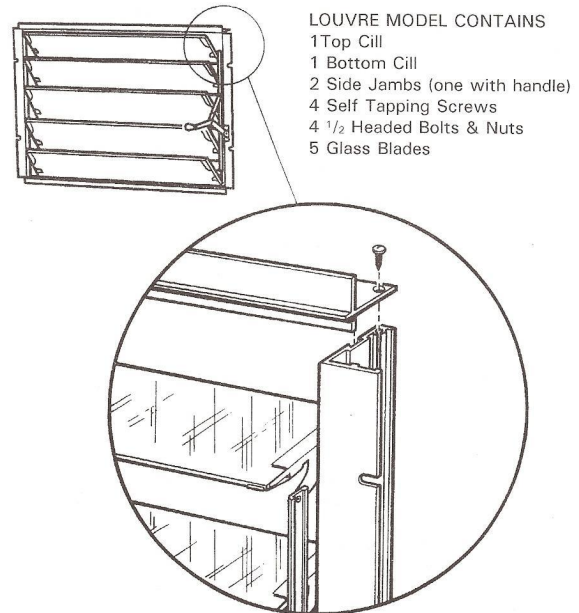
Loosely fix the larger hole to the bolt channel at the back of the top door track using a short bolt and allow the flat bar to hang vertically down.

Move the flat bar along the top door track until the small hole in the flat bar meets the self tapping screw groove in the roof corner bar.

Fix the small hole in the flat bar to the corner bar using a self tapping screw.

5 BLADE LOUVRE

1. Place top cill into position on side jamb of louvre and secure with self tapping screws.
 2. Do same on the other top corner.
 3. Do same with bottom cill.
 4. Please note that the handle is on the right hand side, the above diagrams are viewed from the inside.
 5. To fit the louvre to the side, utilise the extra bolts you inserted during side frame assembly. Insert a glass pane 610 x 457 ref B at the bottom, bolt the louvre to the framework and slide it down so that the bottom cill of the louvre frame is touching the pane of glass. With the louvre in the open position, insert 5 glass blades from the inside. Insert the upper pane above the louvre.
- If you have purchased an automatic louvre opener, consult the fitting instructions inside the automatic louvre box.

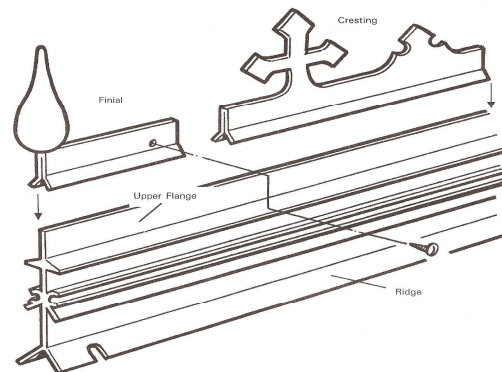


CRESTING AND FINIAL

It is easier to fit the cresting's and finials before glazing. Place the finial onto the upper flange, level with the end of the ridge. The slot in the lower part of the finial sits on top of the upper flange. Do likewise with the cresting.

The other end of the ridge has the 2nd finial fitted in a similar manner to the 1st if this 2nd finial overhangs the ridge by up to 25mm (1") you can move the 1st finial and cresting's so there is an equal overhang of 12.5mm (1/2"). Insert the small self-tapping screw into the pre-drilled holes of the two end finials and tighten until the screw butts up to the upper flange of the ridge, locking the finial in place.

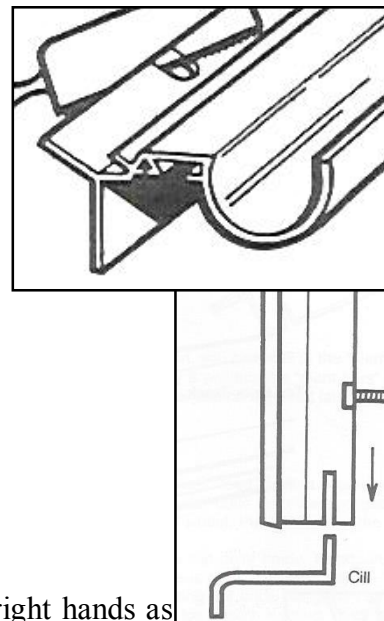
If the overhang of the 2nd finial is greater than 25mm (1") you can easily trim the end down with a hacksaw to make a flush finish at the end of the ridge.



PARTITION

If you have purchased a partition it is at this point that you construct the frame in situ. In the box you will find packs marked;

Partition corner bars
Partition door end built in base/cill
Partition door end
Partition door track
Partition door panels
Partition door posts



You will also require a number of fittings from the box

2 eave gusset plate
1 ridge gusset plate
Glazing beading
Nuts and bolts

PROCEDURE:

1. Starting with the corner bars, identify the roof and side, left and right hands as you did earlier. The corner bars for the partition are the same as the door end in both length and fabrication (except for a saw cut in each end to enable partition installation).
2. Each bar has a saw cut approx. 20mm into the bar from each end, but apart from that they are identical. Insert glazing beading as before but this time into all 3 grooves of the corner bar. **(Key point)**.
3. Having established where the partition is going you will need to make the holes in the gutter, ridge and cill/built in base into slots. Do this by carefully hack sawing down into the hole to form the slot.
4. For built in base models, you can now decide if the partition doors face the door end or rear end of the greenhouse. For dwarf wall models, the base plan issued by Elite will tell you which way round the doors face. This is not interchangeable on dwarf wall models.
5. Take the left hand side bar, insert 2 bolts into the bolt slot, and then offer it up to the eave/gutter and cill so that the flange of the cill and the eave are inserted into the saw cuts. **(Key point)**.
6. For built in base models, you need to decide which way the partition doors will face (towards the door end or rear end of greenhouse). If you decide to face the doors towards the door end then the partition corner bars must be in the same orientation as the door end (i.e. bolt channels of the corner bars facing the rear). **(Key point)**.
7. Slide the 2 bolts into the bolt slot facing inwards, to the holes in the built in base and eave/gutter. Put a nut on and finger tip tighten. Do the same with the left hand roof corner bar, having first inserted 2 bolts into each bolt slot. (Don't forget to ensure that 'R' is at the ridge and not at the eave) now do the same with the other side and roof corner bars.
8. Next, offer the gusset plates to the corner bar at the point where they meet. Line up the holes in the gusset plate with the bolt holes in the facing flange of the corner bar. Insert 2 bolts through the gusset plate and flange, put a nut on – finger tip tight. Do not put the nuts on the upper and lower

bolts of the eave gusset plates at this stage. **(Key point)**.

9. The cills/built in base for the partition can now be attached to the facing bolt slot of the partition corner bar (in the same way you did in the original door end assembly). N.B If you have a dwarf wall model you will need to trim off with a hacksaw the first 2” of the overlapping part of the cill to facilitate a snug fit.

10. Thread the glazing beading into the channels of the glazing bars and trim to suit as previously done.

11. You can now attach the vertical glazing bars in the same way as for the door end assembly.

12. Now follow the same procedure as earlier for the door end assembly.

13. The partition door is slightly lower than the front doors, but is built, fitted and glazed in the same way.

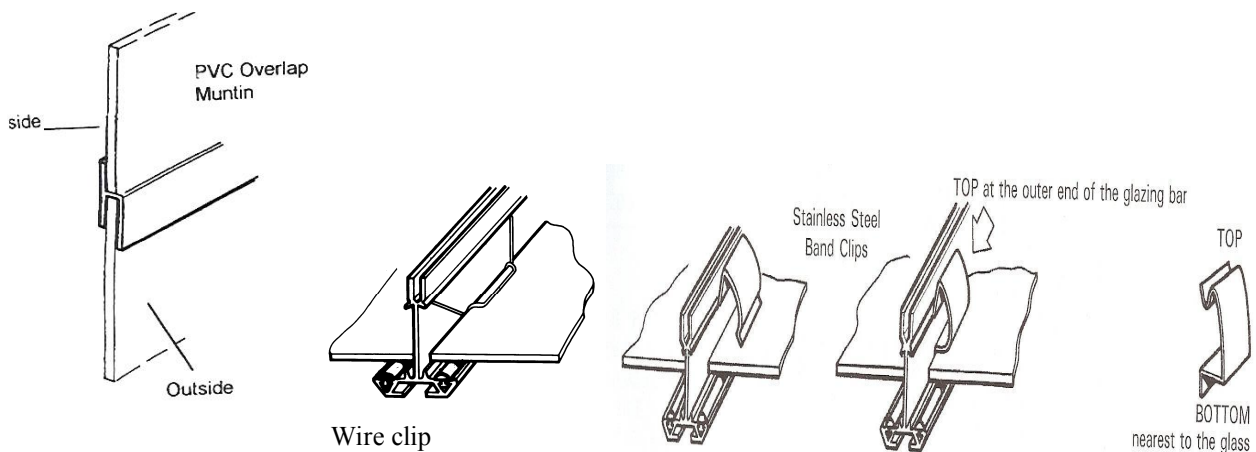
14. To glaze the partition, follow the glazing plan for the partition on the same page as the standard greenhouse.

GLAZING THE STRUCTURE

1. Always handle glass with extreme care as failure to do so can result in injury.

A TOUGHENED GLASS (EN12150)

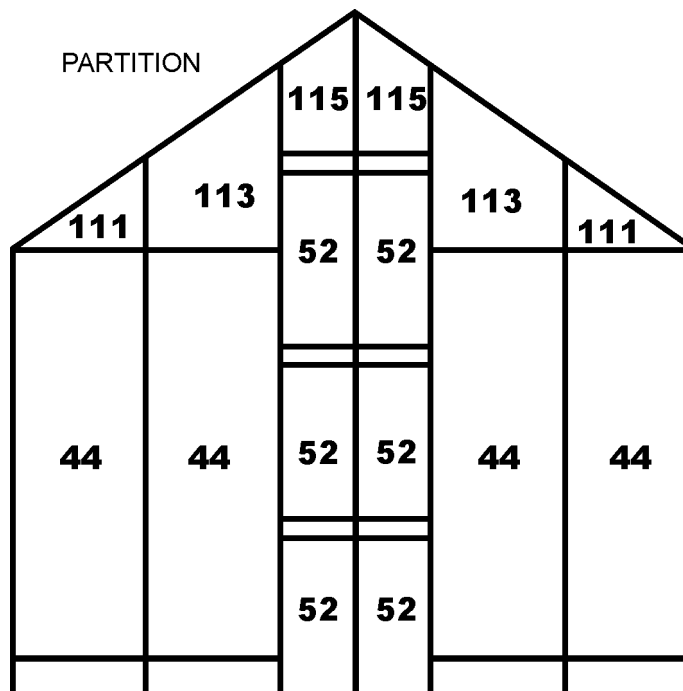
2. Note: If you have bar capping (optional extra), then see additional fitting instructions packed with the capping. Wire clips are used for installation of bar capping, not spring clips.
3. Starting with one of the sides, offer the pane to the glazing bars. Hold it in place by inserting two of the stainless steel clips six inches from the bottom of the glass. Fit the curved lip under the glazing bar and then rotate it so that the other lip clips over the edge of the glass. **(Key point)**.
4. Secure the glass by inserting additional clips in the same way and equally spaced along each edge. There are enough clips to fit 8 per large pane.
5. Repeat this all along this side of the house, then repeat it for the roof of this side, but note that you have to use two of the wire clips on the sides of the panes nearest to the roof vent so that the vent will close correctly.
6. Repeat on the other side of the house.
7. Following this, glaze the rear end in a similar fashion. When you have 2 pieces of glass butting up to each other, you butt joint with a PVC muntin. The muntins can be found in the small shapes glass pack. Put the PVC overlap piece on top of the lower pane making sure you have differentiated between the inside and the outside of the PVC muntin (see diagram below.) The next pane sits on top of the muntin and is clipped in as normal. If you have purchased PVC bar capping, please see separate instructions on how this is fitted.
8. Proceed to the door end and glaze that, but use wire clips on the vertical glazing bars that form the door opening, so that the doors slide open correctly. **(Key point)**.
9. Finally, glaze the door.
10. The pages overleaf indicate the quantities and correct glass positions for your greenhouse.



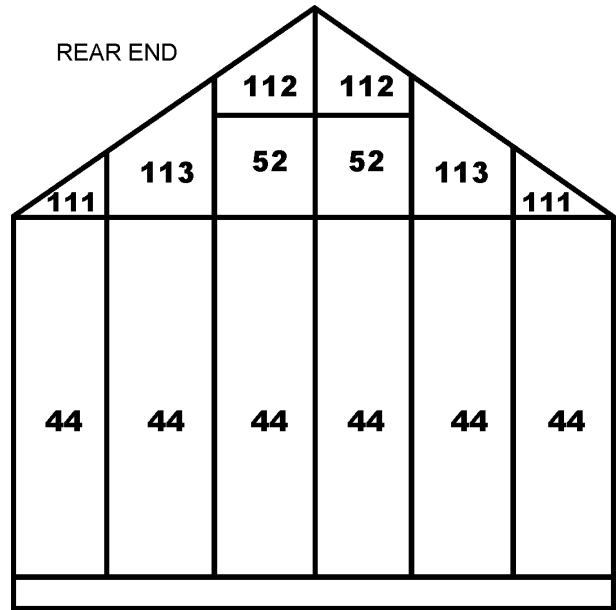
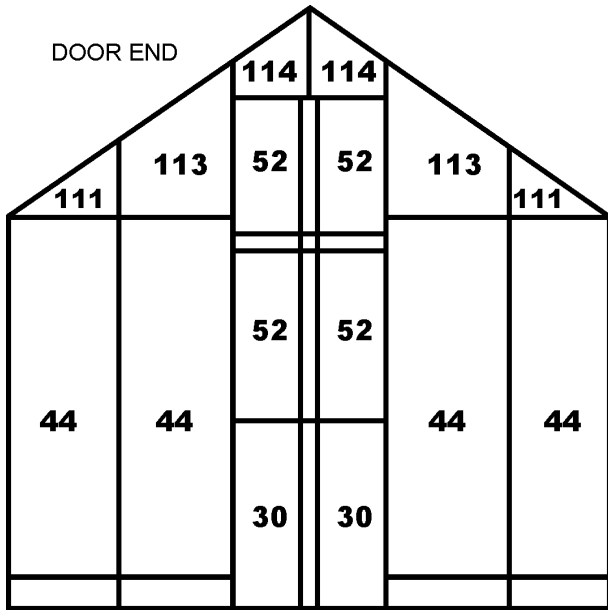
THYME 6' WIDE BUILT IN BASE ONLY TOUGHENED GLASS APPLICATION

Glass ref	Size (mm)
30	300mm x 610mm
43	300mm x 904mm
44	300mm x 1489mm
45	300mm x 1210mm
51	261mm x 100mm
52	300mm x 457mm
117	300mm x 140mm

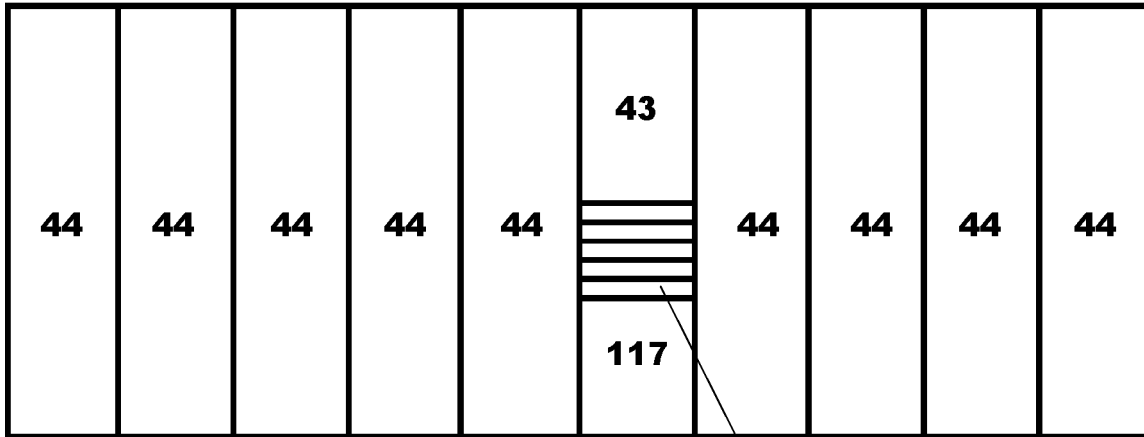
Model	30	43	44	45	51	52	111	112	113	114	115	117
4x6	6	2	16	6	10	6	4	2	4	2	0	2
6x6	6	2	20	10	10	6	4	2	4	2	0	2
8x6	10	2	24	12	10	6	4	2	4	2	0	2
10x6	10	2	28	16	10	6	4	2	4	2	0	2
12x6	10	2	32	20	10	6	4	2	4	2	0	2
14x6	18	2	36	20	10	6	4	2	4	2	0	2
16x6	18	2	40	24	10	6	4	2	4	2	0	2
18x6	26	2	44	24	10	6	4	2	4	2	0	2
20x6	26	2	48	28	10	6	4	2	4	2	0	2
partition	0	0	4	0	0	6	2	0	2	0	2	2



THYME 6 GLAZING PLAN BUILT IN BASE ONLY

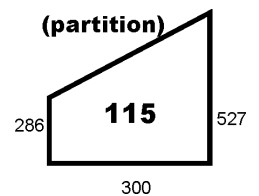
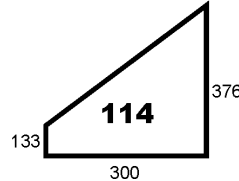
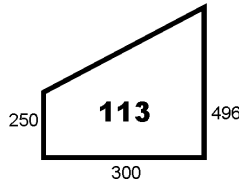
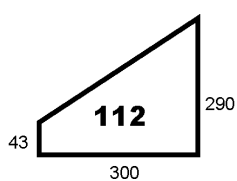
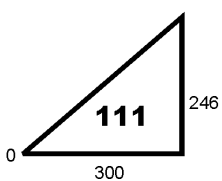
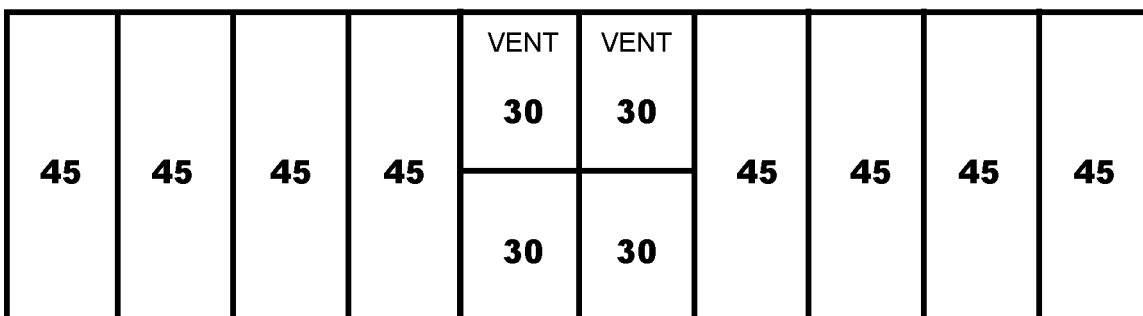


SIDE



5 @ 51

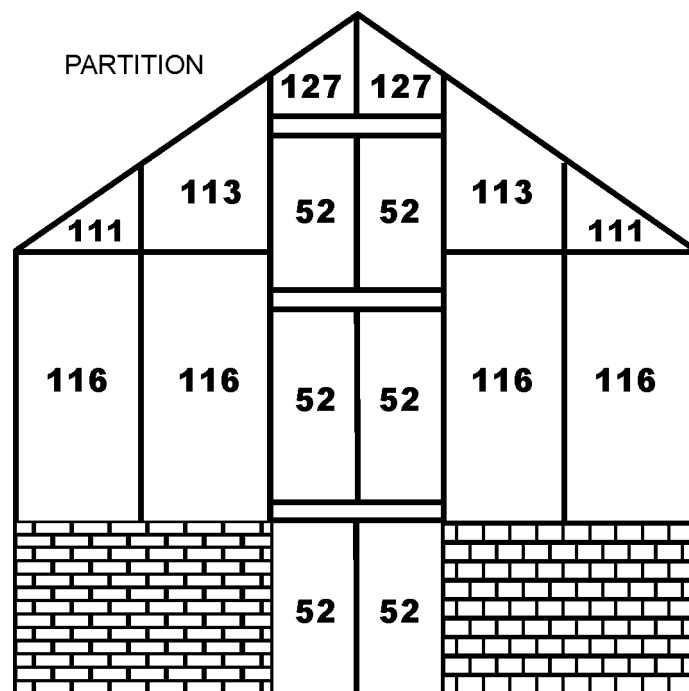
ROOF



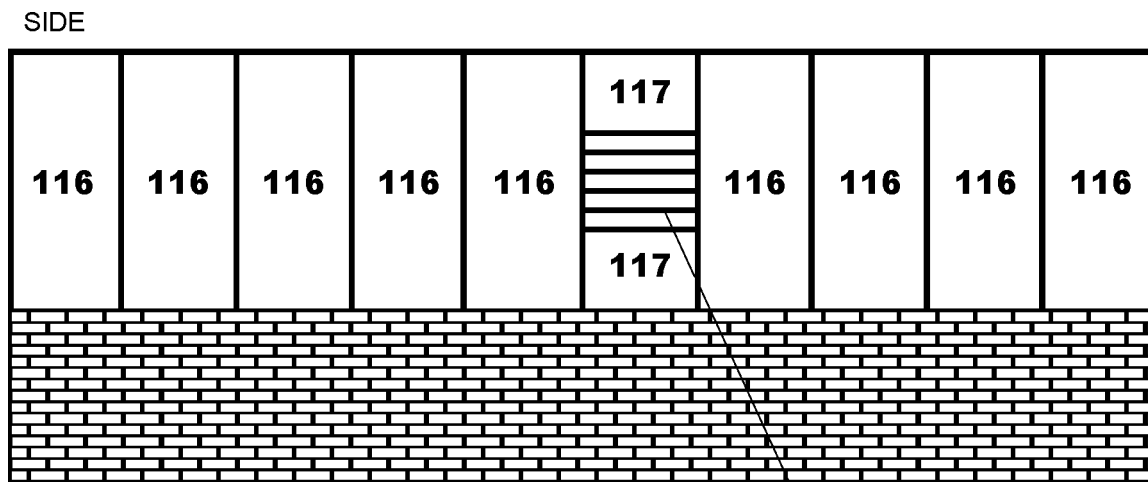
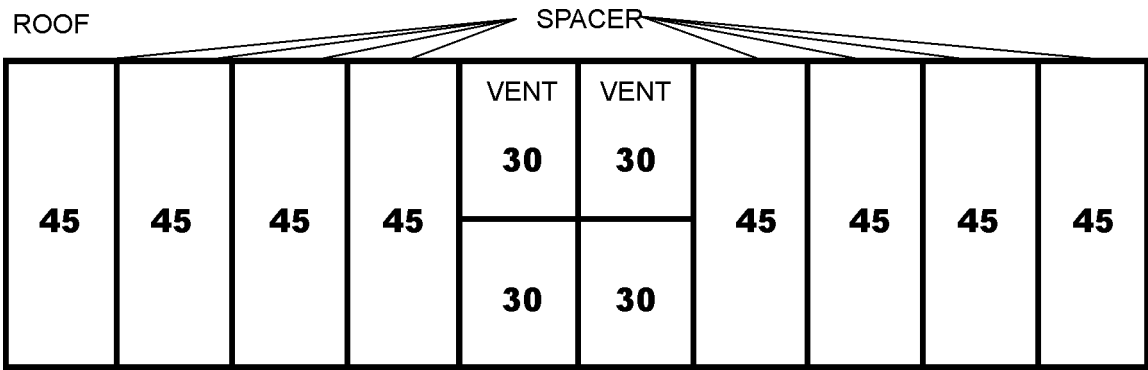
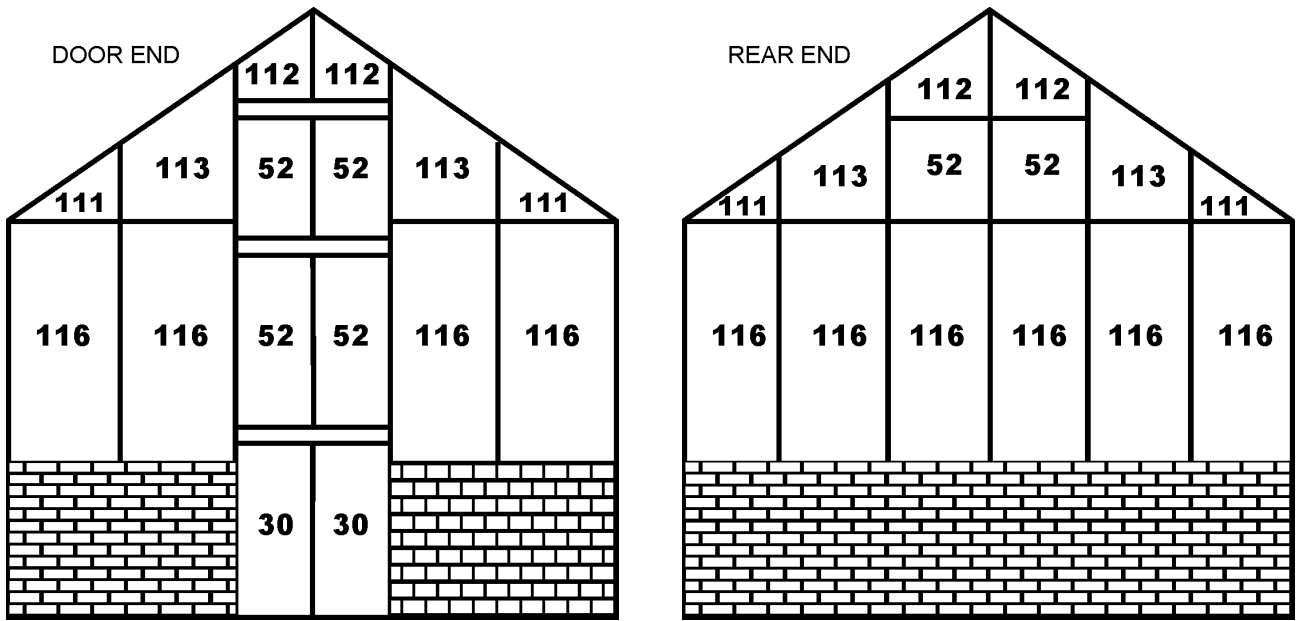
THYME 6' WIDE DWARF WALL ONLY TOUGHENED GLASS APPLICATION

Glass ref	Size (mm)
30	300mm x 610mm
45	300mm x 1210mm
51	261mm x 100mm
52	300mm x 457mm
116	300mm x 730mm
117	300mm x 140mm

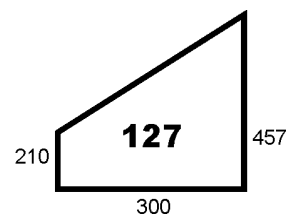
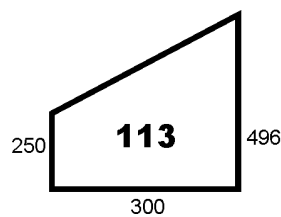
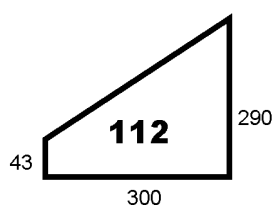
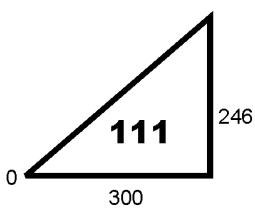
Model	30	45	51	52	111	112	113	116	117
4x6	6	6	10	6	4	4	4	16	4
6x6	6	10	10	6	4	4	4	20	4
8x6	10	12	10	6	4	4	4	24	4
10x6	10	16	10	6	4	4	4	28	4
12x6	10	20	10	6	4	4	4	32	4
14x6	18	20	10	6	4	4	4	36	4
16x6	18	24	10	6	4	4	4	40	4
18x6	26	24	10	6	4	4	4	44	4
20x6	26	28	10	6	4	4	4	48	4
Partition	0	0	0	6	2	4	2	4	0



THYME 6 GLAZING PLAN DWARF WALL ONLY



5 @ 51



ELITE 1601