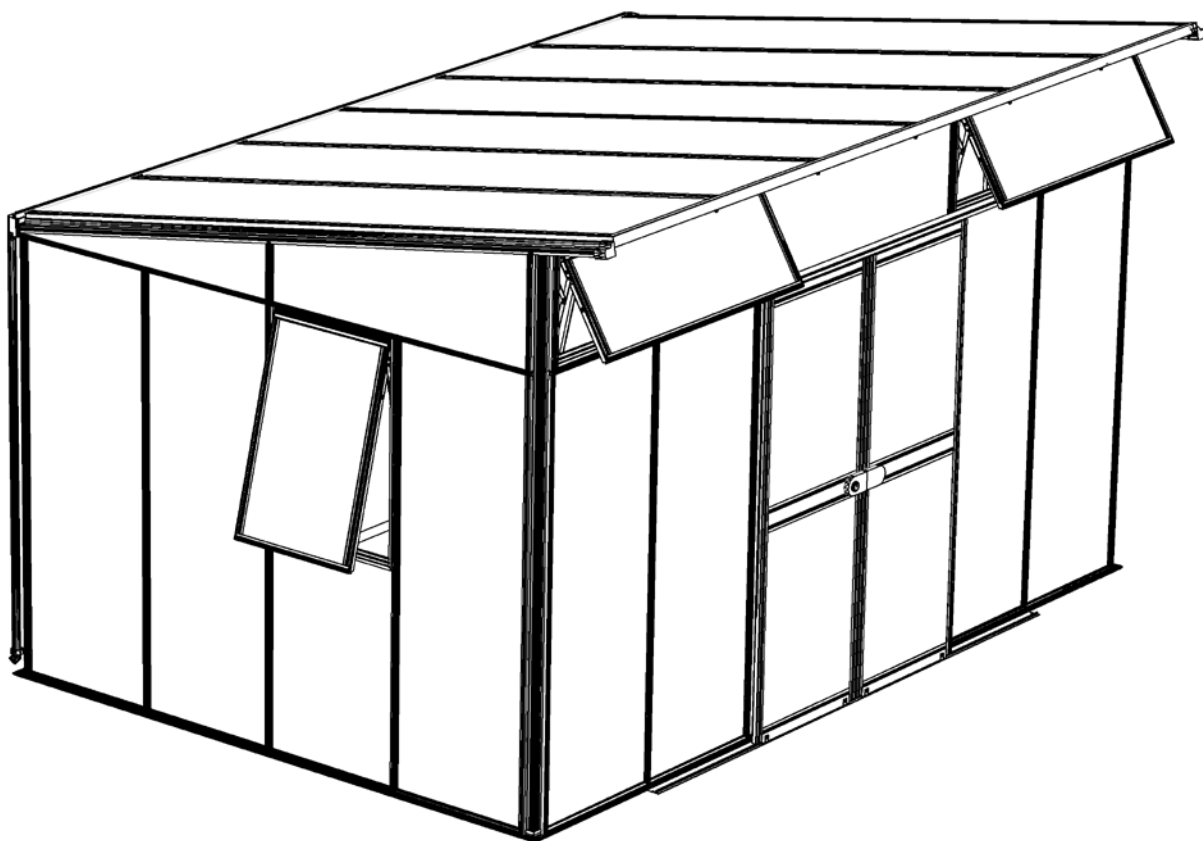


(EN) **Assembly instructions**

(DE) **Montageanleitung**

(DA) **Montagevejledning**

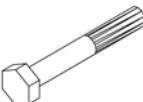
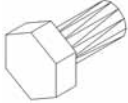

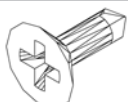




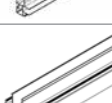




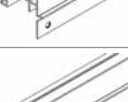
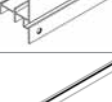
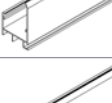
(NL) **Montage Instructies**


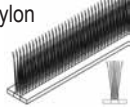
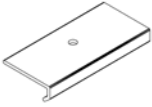
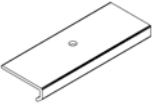








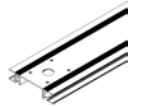
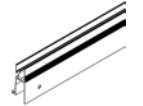
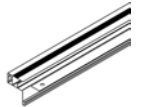
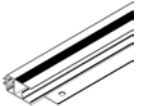


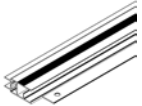


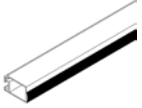







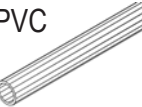

Vitavia
- makes living grow

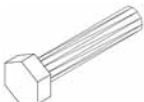

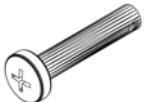


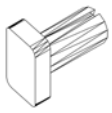


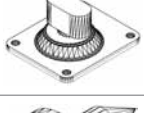
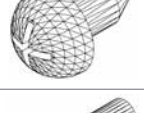
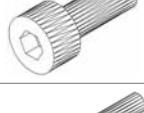
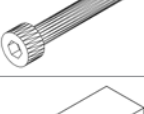
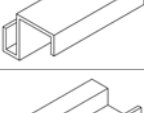
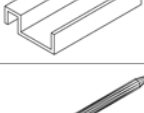


VM0042-A
7800, 11500




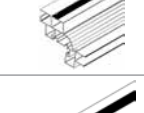

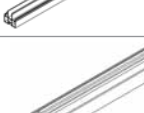

Item No.	Part	Sect. Ref.	Size mm	Quantity	
				7800	11500
1002		9	M6	2x	2x
1003		5b	3.5 x 16	2x	4x
1006		9	3.5 x 6	2x	2x
1402		9	36	2x	2x
1403		9	20	2x	2x
1405		9	15	2x	2x
1409		9	20	2x	2x
1412		9	M6 x 22	2x	2x
1415	PVC 	9	1750	2x	2x
2002		6b	4.2 x 38	2x	2x
2003		6b	Ø 8	2x	2x
2271		6a	37	4x	4x
3002		9	M6	2x	2x
6056		8a 8b	47	8x	10x
6070		5a 5b 9	Ø 13.5	260x	315x
6090	PVC 	7b	75000 93000	1x -	- 1x


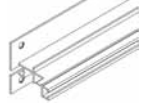


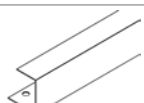

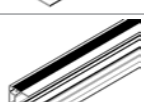
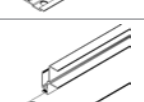
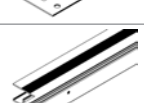

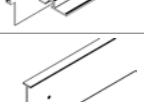

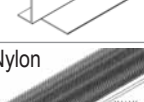
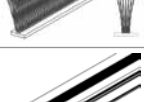
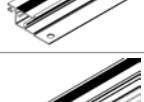
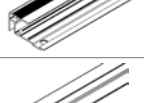
Item No.	Part	Sect. Ref.	Size mm	Quantity	
				7800	11500
7050		1, 2 3, 4a 7b	M6 x 42	115x	138x
7052		1-9	M6x12	120x	143x
7053		1-9	M6	277x	333x
7088		8a 8b	3.9 x 13	50x	62x
7090		5a 5b	324	4x	5x
7304		1 2 3 4a	2659	4x	2x
7306		1 4a	3917	-	2x
7310		1	1801	2x	2x
7311		1 2 3 4b	1801	11x	15x
7312		1 2 3 4a	1915	8x	8x
7314		1	2586	1x	-
7316		1	3844	-	1x
7319		2	2547	1x	1x
7320		3	2547	1x	1x
7324		7a	2586	1x	-
7326		7a	3844	-	1x

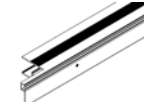
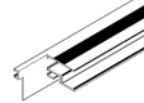


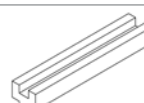

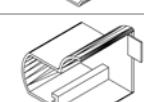


Item No.	Part	Sect. Ref.	Size mm	Quantity	
				7800	11500
7331		4b	218	3x	5x
7332	Nylon 	6a	9000 x 10	1x	1x
7342		7a	45	2x	2x
7343		7a	56	3x	5x
7346		4b	224.5	1x	1x
7347		4b	224.5	1x	1x
7348		4b	93.5	4x	4x
7349		5a 7a	3.9 x 10	16x	20x
7350		6a	20	4x	4x
7351		6b	2548	1x	1x
7352		6a	653	1x	1x
7353		6a	653	1x	1x
7354		6a	574	1x	1x
7355		6a	574	2x	2x
7356		6a	1828	2x	2x
7357		6a	1828	1x	1x

Item No.	Part	Sect. Ref.	Size mm	Quantity	
				7800	11500
7358		6a	1828	1x	1x
7359		9	2548	1x	1x
7360		6a	M6	4x	4x
7361		6b	1796	2x	2x
7362		6b	1222	1x	1x
7363		6b	1217	1x	1x
7364		6a	Ø 32	4x	4x
7370		9	71.35	1x	1x
7371		9	71.35	1x	1x
7372		7b	1819	11x	15x
7373		7b	1819	8x	8x
7379		7b	240	1x	1x
7380		7b	240	1x	1x
7381		7b	618	14x	18x
7382	PVC 	7b	618	14x	18x
7384		6a	574	1x	1x

Item No.	Part	Sect. Ref.	Size mm	Quantity	
				7800	11500
7390		6b	M6 x 30	4x	4x
7392		6a	Ø 5/3	8x	8x
7393		6a	M6 x 31	4x	4x
7395		4b	Ø 12/6.5	5x	7x
7396		1	11000	1x	-
		2 3 4a	13500	-	1x
7399		4a 4b 8a 8b	M6 x 12	38x	48x
7400		6a	123	1x	1x
7401		6a	123	1x	1x
7402		6a	60	1x	1x
7403		8a 8b	4.2 x 10	16x	20x
7404		6a	M4 x 10	8x	8x
7405		6a	M4 x 25	4x	4x
7407		7b	30	14x	18x
7409		7b	30	10x	10x
7411		4a	3.8 x 80	16x	20x
7413		5a 5b	50	5x	7x

Item No.	Part	Sect. Ref.	Size mm	Quantity	
				7800	11500
7419		8a 8b	405	8x	10x
7420	PVC 	5a	24000	1x	-
		5b 6a	27200	-	1x
7421		4a	Ø6 X 80	16x	20x
7424		7a	592	4x	6x
7425		7a	592	4x	6x
7426		4b	2931,5	3x	5x
7432		4b	2931,5	1x	1x
7433		4b	2931,5	1x	1x
7434		4a	2550	1x	-
7436		4a	3808	-	1x
7437		2	2283	1x	1x
7438		3	2283	1x	1x
7439		4b	463,5	1x	2x
7440		7b	466,5	2x	2x
7441		7b	466,5	1x	2x
7442		7b	2929	1x	1x

Item No.	Part	Sect. Ref.	Size mm	Quantity	
				7800	11500
7443		7b	2929	1x	1x
7444		4a	2546	1x	-
7446		4a	3804	-	1x
7447		7a	2550	1x	-
7449		7a	3808	-	1x
7450		5a	557	3x	3x
7451		5a	557	3x	3x
7452		8a	663	3x	3x
7453		5a	892	3x	3x
7454		5a	892	3x	3x
7455		8a	908	3x	3x
7456		8a	908	3x	3x
7457	 Nylon	5a 5b	9300 x 15 11500 x 15	1x -	- 1x
7460		5b	1186	1x	2x
7461		5b	1186	1x	2x
7462		8b	1218	1x	2x

Item No.	Part	Sect. Ref.	Size mm	Quantity	
				7800	11500
7463		5b	434	1x	2x
7464		5b	434	1x	2x
7465		8b	463,5	1x	2x
7466		8b	463,5	1x	2x
7467		7b	50	4x	4x
7468		7a	52	1x	1x
7469		7a	52	1x	1x
7470		7b	461	1x	1x
7471		7b	461	1x	1x

Safety Warning

- PLEASE READ THESE INSTRUCTIONS CAREFULLY AND COMPLETELY BEFORE ASSEMBLING YOUR GREENHOUSE.
- Sharp edges and corners can cause injury. Always wear protective glasses, gloves, shoes and headgear when handling the aluminium profiles, glass and polycarbonate sheets. Broken glass is a safety hazard – always clear up immediately and dispose of with care.
- The product you have purchased is intended **only** for the growing of plants and should **only** be used for this purpose. When used for other purposes we will take no responsibility.
- It is recommended that this greenhouse is assembled by two people.
- When using a step ladder one person should steady it at all times whilst the other works.
- Should you encounter difficulties constructing this house or in positioning the polycarbonate sheets, please contact your retailer
– **do not use force!**
- The greenhouse must always be anchored.

Assembly Instructions

SITE SELECTION

Always try to select a sunny location, sheltered from the wind as much as possible.

IMPORTANT

Before assembling your new greenhouse, please check that all parts in the provided list are included. Please take each bundle out of the packaging in order to identify the parts better.

It is important that the opened bundles do not get mixed with one another.

If something is missing please contact your retailer.

Note - The UV-resistant side of the polycarbonate panes is indicated by a plastic film or printing at the edge. **This side must face outside.**

In order to seal the greenhouse effectively it is suggested that you apply neutral silicone as shown in diagrams (4b.7), (4b.8), (7a.6) and (7a.8). Silicone is provided for this purpose.

NECESSARY TOOLS

Screw drivers (Normal and Crosshead PH2)
Rubber Hammer
2 x 1.8m ladder
10 mm socket spanner or wrench
10 mm combination spanner
Craft knife
Measuring stick
Spirit level
Accu-drill with adjustable torque

MAINTENANCE

The greenhouse should be thoroughly washed with a gentle detergent occasionally. Please check that the detergent used does not react aggressively with aluminium or plastic. Ensure that the door tracks are cleaned regu-

larly to avoid a buildup of debris.

0. FOUNDATION

Important! The foundation must be exactly right angular and level. To achieve this you will require a spirit level and a right angle.

Note - If the distance between the two opposite corners is the same then the foundation is right angular.

For the erection of this greenhouse we suggest a solid foundation constructed from concrete, brickwork or stonework. If you have no experience with the construction of such a foundation please consult a company specialising in this work. Materials and tools for the preparation of the suggested foundation are not provided.

The suggested foundation allows the door to be assembled in the front of the greenhouse. The door can also be assembled on any other side if required. Please then prepare the 210mm wide foundation on this side using length C or D as reference.

Foundations must extend down below the frost level.

Diagrams in a single frame show the view from inside the greenhouse. Those enclosed in a double frame show the view from outside the greenhouse.

1. BACK ELEMENT

Note - If the door is to be assembled on this side of the house remove one of the middle bars (7311)⓪.

Push seal (7396) into the sill bar (7304 / 7306) and cut to fit both ends (1.1) (1.2).

Lay all of the parts, according to the model, on the floor and loosely connect by inserting bolts (7052) into the bolt channels.

Take care that the eave angles (7314 / 7316) are pushed into the corner of both corner bars (7310) (1.3) (1.4) and that corner bars (7310) and middle bars (7311) sit correctly on the assembly edge on the eave angle (1.9) (1.12).

Assemble diagonal bars (7312) on both sides (1.3) (1.4) (1.10) (1.11). At the sill loosely attach using bolt (7050). (7050) will be removed during glazing (section 7b).

2. PLAIN GABLE END L

Note - If the door is to be assembled on this side of the house remove middle bar (7311)⓪.

Push seal (7396) into sill bar (7304) and cut to fit the ends (2.1) (2.2).

Lay all of the parts on the floor and loosely connect by inserting bolts (7052) into the bolt channels.

Assemble end bar (7319) into the recess in corner bar (7437) (2.3) (2.4) and then (7437) onto sill bar (7304) (2.5) (2.6).
Assemble middle bars (7311) (2.7) (2.8).

Assemble diagonal bar (7312) (2.3) (2.4) (2.9) (2.10). At the sill loosely attach using bolt (7050). (7050) will be removed during glazing (section 7b).

3. PLAIN GABLE END R

Note - If the door is to be assembled on this side of the house remove middle bar (7311)⓪.

Assemble all parts as in Section 2.

4a. CONNECTING THE ELEMENTS

Push seal (7396) into the sill bar (7304 / 7306) and cut to fit both ends (4a.1) (4a.2).

To connect the previously prepared sections, loosely prepare bolts (7399) and nuts (7053) in sill bars (7304) as shown in (4a.3). Lower corner bars (7310) fitting the bolt heads of (7052) into the bolt channels of (7310) (4a.4).

Assemble diagonal bars (7312) on both sides (4a.5). At the sill loosely attach using bolt (7050). (7050) will be removed during glazing (section 7b).

Using bolts (7399) and nuts (7053), connect end bars (7319) and (7320) to corner bars (7310) ensuring they are pushed against the eave angle bar (4a.6) (4a.7).

Loosely prepare bolts (7399) and nuts (7053) in sill bars (7304 / 7306) as shown in (4a.3). Lower corner bars (7437 / 7438), fitting the bolt heads of (7052) into the bolt channels of (7437 / 7438) (4a.4).

Assemble front bar (7444 / 7446) into the recess in corner bars (7337 / 7438) using bolts (7399) and nuts (7053) (4a.8) (4a.9).

Assemble ridge bar (7434 / 7436) onto the ends of corner bars (7437 / 7438) (4a.10) (4a.11)

Assemble diagonal bars (7312) in the front. At the sill loosely attach using bolt (7050). (7050) will be removed during glazing (section 7b).

Position the assembled frame onto the prepared foundation.

Check that the house is level and drill Ø6 holes through the prepared holes in (7304) and (7306).

Insert wall plugs (7421) into the holes and connect loosely to the foundation using screws (7411) (4a.12).

4b. ROOF

Loosely connect middle bars (7311) between sill (7304 / 7306) and horizontal bar (7444 / 7446) (4b.1) (4b.2).

Loosely connect middle bars (7439) between ridge (7434 / 7436) and horizontal bar (7444 / 7446) (4b.2).

Assemble roof corner bars (7432) (7433) onto the eave angle (4b.3) (4b.4). Ensure that the roof corner bars sit correctly on the assembly edge on the eave angle (4b.9) and that the small holes on the outside of (7432 / 7433) are at the eave end (4b.3).

Connect the roof corner bars (7432) (7433) to the ridge (7434 / 7436) and to the front corner bars (7437 / 7438) using plate (7348) (4b.6). Assemble side middle bars (7346) and (7347) between horizontal bars (7319 / 7320) and the roof corner bars (7432 / 7433) using plate (7348) (4b.5).

Insert bolts (7052) into the bolt channels in roof middle bars (7426) at the eave and lower onto the eave angle (7314 / 7316) using washer seal (7395) and nut (7053) (4b.7) (4b.8). Ensure that (7426) sit correctly on the assembly edge on the eave angle (4b.9) and that the small hole on the outside of (7426) is

at the eave end.

Insert (7052) into the bolt channel in (7426) at the ridge and connect onto ridge (7434 / 7436) (4b.10) .

Adjust the frame until it is completely right angular and tighten all screws (7411) and (7412) and nuts (7053). **Please do not over tighten.**

Assemble corner braces (7331) between each side middle bar (7311) and roof middle bar (7426) by inserting cropped head bolts (7399) into the bolt channels (4b.11) (4b.12).

5a. SIDE WINDOW

Connect window bottom bar (7451) to side bars (7453) and (7454) (5a.2) (5a.3).

Slide pane D into the glazing channels (5a.5) in the assembled parts (5a.4) (5a.5).

Loosely prepare (7052) and (7053) in window top bar (7450) and slide onto (7453) and (7454) fitting the bolt heads of (7052) into the bolt channels and the glazing into the glazing channels (5a.6) (5a.7).

Note - If you have chosen 4mm glass glazing, cut glazing seal (7420) to fit and press into the space in the glazing channels on the inside of the window to fix the glass in place (5a.8) (5a.9).

Check that the side window is right angular before tightening all bolts.

Please do not over tighten.

Insert brush seal (7457) using one continuous length into the guides in the top and side bars (7454) (7450) (7453) (5a.10) and cut to length.

Note - If the brush seal (7457) protrudes along the top edge of (7450) when the window is closed, (see section 8a), it can be trimmed shorter (5a.10).

Connect window opener (7090) to (7451) using spacer (7413) and two screws (7349) (5a.11) (5a.12).

Connect plastic nut caps (6070) by pushing them onto all nuts (7053) (5a.13).

5b. TOP WINDOW

Assemble all parts as in Section 5a.

6a. SLIDING DOORS

Insert brush seal (7332) into the guides in the door bars (7352) (7353) (7355) (7356) (7357). (6a.2) and cut to length.

Loosely assemble wheels (7364), using spacers (7392) on each side of the wheel, bolt (7393), jump clip (7350) and lock nut (7360), onto door bottom bars (7355) (6a.3).

Connect (7355) with door side bars (7357) or (7358) (6a.3) (6a.7a).

Assemble door middle bars (7354) or (7384) with lock parts (7400), (7401) and (7402) using bolts (7404). Connect to door side bars (7357) or (7358) using bolts (7052), nuts (7053) and bolts (7405) (6a.4) (6a.5) (6a.8). **Do not over tighten bolts (7404) and (7405).**

Connect door top bars (7352) or (7353) to door side bars (7357) or (7358) (6a.6) (6a.7b).

Slide panes G into the glazing channels in the assembled parts (6a.9).

Loosely prepare (7052) and (7053) in door side bars (7356) and slide onto (7355), (7354) or (7384) and (7352) or (7353) fitting the bolt heads of (7052) into the bolt channels and the glazing into the glazing channels (6a.9) (6a.10). Insert door guides (2271) into the top of both doors (6a.6).

Note - If you have chosen 4mm glass glazing, cut glazing seal (7420) to fit and press into the space in the glazing channels on the inside of the door to fix the glass in place (6a.11).

6b. DOOR FRAME AND STEP

Assemble door support (7362) onto the sill bar in the door opening using bolts (7390) (6b.1) (6b.2).

Tilt door wheel track (7351) to fit into the sill bar and lower into position (6b.3). Centre on the door opening and connect to the foundation using wall plug (2003) and screw (2002) (6b.4).

Connect door side frames (7361) to middle bars (7311). When in place connect to the top using bolt (7052) and nut (7053) (6b.5) - (6b.8).

At the bottom insert bolt (7052) into the channel on both sides of door step (7363) (6b.9) and slide the door step into place (6b.10) (6b.11).

7. GLAZING OVERVIEW

Please sort the glazing according to your model size and glazing type before beginning. If you have chosen glass then panes E and F are identical on both sides.

Note - The UV-resistant side of the polycarbonate sheets is indicated by a plastic film or printing at the edge. **This side must face outside.** Loosen the film approximately 2cm at all edges of each pane before assembly. When the assembly of all sheets is finished completely remove all film from the sheets.

7a. ROOF GLAZING / EAVE

Slide the roof glazing into the guides in the roof profiles (7a.2) (7a.3). When two adjacent

sheets are in place, screw glazing stops (7342) or (7343) onto the roof profile between them using the prepared holes and self-drilling screws (7349) (7a.4) (7a.5). The sheets should slide down to rest against these stops.

Angle the eave bar (7324 / 7326) into the eave angle (7a.6) and turn it down to rest against the eave angle. Connect it to the eave angle using bolts (7052) from outside and nuts (7053) inside the house (7a.7).

Insert glazing spacer (7424) over the inside edge of the eave angle (7a.9) and glazing spacer (7425) over the outside edge of the ridge bar (7a.10). At the ridge fix (7425) in place using screw (7349) (7a.10).

Assemble glazing end cover (7447 / 7449) at the ridge using bolts (7052) inserted into the bolt channels in the roof bars, and nuts (7053) (7a.10). At the same time position the plastic end caps (7468) and (7469) so that they cover the open ends of roof corner bars (7432 / 7433) and fit behind the end cover (7447 / 7449) (7a.10) (7a.11).

7b. SIDE GLAZING

Please decide at this point in which sections you will assemble the three side windows.

Note: These cannot be assembled into a corner section, beside each other or in sections adjacent to the door entrance.

Glazing panes H can then be assembled into these sections instead of glazing pane A.

Press glazing seal (7382) into the top groove in each (7381) and cut to fit both ends.

If glazing with glass, press glazing seal (6090) onto the aluminium profiles (7b.2) and cut to length. **Note** - On all horizontal glazing guides it is recommended to use smaller lengths of the seal (6090) in the middle of each section. This will allow condensation which collects inside the house to escape.

Note - With Polycarbonate the glazing rubber is not required.

Through the positioning of the (7050) bolt head in the different guides in the glazing capping's, it is possible to glaze the greenhouse with 3mm, 4mm, 10mm or 16mm panes (7b.2).

Prepare bolts (7050) in each glazing capping as shown (7b.3).

For 10mm glazing prepare 1 spacer (7407), in the middle / top of each pane A (7b.4). Position each glazing pane A or H into the frame and connect the vertical capping's (7372) or (7373) loosely with nuts (7053).

Lift pane A or H 15mm and connect capping's (7381) loosely under the pane.

Note - The bolts (7050) used to hold the diagonal braces in sections 1, 2, 3 and 4a should

be replaced at this point (7b.8).

For 10mm glazing prepare 4 spacers (7409) onto each (7319), (7320) and (7444 / 7446) (2 spacers for each pane E, F and J) (7b.5) (7b.6).

Position panes E, F and J.

Connect capping's (7442) or (7443) and then (7379) / (7470) or (7380) / (7471) loosely.

Note - For polycarbonate glazing insert spacers (7467) into the groove in end caps (7468) or (7469) depending on the thickness, 10mm = one (7467), 16mm = 2 (7467). The cappings (7442) and (7443) will then apply pressure to these holding the end caps (7468) and (7469) in place.

Tighten all nuts. **Please do not over tighten.**

Note - The vertical capping's can be best assembled when the top bolt is first inserted into the hole, then the middle and finally the bottom bolt. Ensure that the capping remains in contact with the sill bar.

8a. SIDE WINDOW ASSEMBLY

Remove nuts (7053) from the top two bolts holding cappings (7372) in the middle bars (7311) beside the window opening.

Loosely prepare (7053) and (7399) in the lower hole in window side frames (7455) and (7456) (8a.1).

Turn window side frames (7455) and (7456) onto middle bars (7311) above glazing pane H (8a.2) and reconnect the top capping nut (7053) (8a.3) (8a.4).

Loosely prepare (7053) and (7399) in the lower hole in window sill bar (7452). Rotate it into position to cover glazing pane H fitting the middle capping bolt into the top hole on both sides of (7452) (8a.5).

Reconnect the middle capping nut (7053) (8a.6).

Using screws (7088) assemble the window hinge (7419) onto the window side frames (7455) and (7456) (8a.7). **Note:** Only connect using the prepared long holes in the hinge.

Assemble the prepared side window (see section 5a) between the two window hinges (7419) using screws (7088). **Note:** Only connect using the prepared long holes in the hinge.

Close the window and ensure that it closes over the sill bar (7452) without contact. The window height can be adjusted using the long holes in hinge (7419) and when correct fixed by inserting extra screws into the other holes.

Connect window latches (6056) onto the sill bar (7452) using screws (7403) (8a.9). Locate them by aligning with the long holes in the window opener (7090) when the window is closed (8a.10).

When the window is closed the window opener

(7090) can be latched onto both (6056) to hold the window closed (8a.10).

Note - If the brush seal (7457) protrudes along the top edge of (7450) when the window is closed it can be trimmed shorter, see detail (5a.10).

Repeat for the other windows.

8b. TOP WINDOW ASSEMBLY

Remove nuts (7053) from the two bolts holding cappings (7440) and (7441) in the corner bar (7437 / 7438) and middle bar (7439) beside the window opening (8b.1).

Turn window side frames (7465) and (7466) onto the prepared bolts (8b.1) (8b.2) and reconnect the capping nuts (7053) (8b.3) (8b.4).

Loosely prepare (7053) and (7399) in the holes in window sill bar (7462). Rotate it into position fitting the head of (7399) into the inside bolt channel of the horizontal bar (7444 / 7446) (8b.5) (8b.6).

Using screws (7088) assemble the window hinge (7419) onto the window side frames (7465) and (7466) (8b.7). **Note:** Only connect using the prepared long holes in the hinge.

Assemble the prepared side window (see section 5b) between the two window hinges (7419) using screws (7088). **Note:** Only connect using the prepared long holes in the hinge.

Close the window and ensure that it closes over the sill bar (7462) without contact. The window height can be adjusted using the long holes in hinge (7419) and when correct fixed by inserting extra screws into the other holes.

Connect window latches (6056) onto the sill bar (7462) using screws (7403) (8b.9). Locate them by aligning with the long holes in the window opener (7090) when the window is closed (8b.10).

When the window is closed the window opener (7090) can be latched onto both (6056) to hold the window closed (8b.10).

Note - If the brush seal (7457) protrudes along the top edge of (7460) when the window is closed it can be trimmed shorter, see detail (5b.10).

(11500) Repeat for the other window.

9. FINAL STEPS

Insert eave plastic (7370) and (7371) into both ends of the eave bar (7324 / 7326) (9.1) (9.2).

Note - It can help to pull the eave bar at the top edge, carefully away from the house so that the opening for the plastic becomes larger.

Insert cropped head bolt (1412) into the bolt channel at the bottom of corner bar (7310) and connect parts (1405) and (1409) with aluminium nut (1002) on both sides (9.3). Fit elbow (1402) onto the bottom of down pipe (1415) (9.6) and then connect this to the eave plastic (7370) or (7371) (9.9). Fit the down pipe clamp (1403) around the down pipe and connect to (1409) (9.4). Insert screw (1006) to fix the down pipe in place (9.5).

Assemble door track (7359) into the door opening. Connect to (7444 / 7446) by inserting bolts (7052) into the bolt channel on the outside of these bars and connect with nuts (7053) (9.7). Include at both ends of door track bar (7359) bolt (7052) from outside and nut (3002) inside the door guide to prevent the door from sliding out of the track (9.7) (9.8).

Position the doors by inserting the plastic door guides (2271) into the guide in door track bar (7359) (9.9) (9.10a) and then lower the wheels onto the door track on bar (7351) (9.10b). Hook the door jump clips (7350) under the lip on (7351) and tighten the lock nuts (7360) (9.10b).

Connect plastic nut caps (6070) by pushing them onto all visible nuts (7053) inside the building (9.11).

FINISHING

If desired, it is possible to further seal the greenhouse at the edges using neutral silicone. Silicone is not included for this purpose.

Place the warning label inside the house.

Please check the tightness of all nuts and bolts two weeks after completing the assembly.

A full range of greenhouse accessories, to help you make the most of this product, is available from your stockist. Please take a look at the possibilities.

SAFETY NOTICE

In the event of high wind conditions, close the doors and all vents.

In the event of heavy snowfall, clear the roof of the building or take suitable measures to support the roof. Heat the building in winter.

COMMENTS

For the complete protection of your new greenhouse, we advise you to include it in your **house insurance**. Please take note of possible building rules relating to the positioning of greenhouses.

Please stick the included greenhouse model label onto door bar (7352) or (7353) after successfully assembling this product. This information is im-

portant in the event that replacement parts are later required.

Please keep these assembly instructions in a safe place, for future reference!

Our policy is one of continuous improvement and we reserve the right to change the specifications without prior notice.

Sicherheitsvorkehrungen

1. Bitte lesen Sie diese Montageanleitung vor Beginn des Aufbaus komplett durch!
2. Bei der Handhabung von Glas, Polycarbonat-Platten oder Gewächshausteilen sind immer Schutzbrille, Handschuhe, Sicherheitsschuhe und ein Kopfschutz zu tragen, da scharfe Kanten zu Verletzungen führen können. Gebrochenes Glas ist ein Sicherheitsrisiko. Beseitigen Sie es mit der gebotenen Vorsicht.
3. Das von Ihnen erworbene Produkt ist für die Aufzucht von Pflanzen konstruiert und sollte auch ausschließlich dafür genutzt werden. Bei anderweitiger Nutzung ist jegliche Haftung ausgeschlossen.
4. Für die Montage dieses Gewächshauses sind zwei Personen erforderlich.
5. Bei der Nutzung einer Leiter muss ständig eine Person anwesend sein, die die Leiter festhält, während die andere Person auf der Leiter arbeitet.
6. Sollten Sie beim Montieren des Hauses oder beim Einsetzen der Verglasung Schwierigkeiten haben, setzen Sie sich bitte mit Ihrem Händler in Verbindung. **Wenden Sie keine Gewalt an!**
7. Das Gewächshaus muss verankert werden.

Aufbaubeschreibung

STANDORTWAHL

Suchen sie den sonnigsten, aber gleichzeitig einen windgeschützten Platz aus.

WICHTIG

Bevor Sie mit der Montage Ihres Gewächshauses beginnen, überprüfen Sie, ob alle in der Liste angegebenen Teile vorhanden sind. Nehmen Sie die einzelnen Bündel aus der Verpackung, um sie besser identifizieren zu können. Es ist wichtig, dass die geöffneten Bündel nicht durcheinander geraten. Sollte trotz sorgfältigster Prüfung etwas fehlen, setzen Sie sich bitte mit Ihrem Händler in Verbindung.

Achtung – Die UV-beständige Seite der Hohlkammerplatten ist durch eine Plastikfolie oder einen gedruckten Hinweis an den Kanten gekennzeichnet. **Diese Seite muss nach außen zeigen!**

Zur gründlichen Abdichtung des Gewächshauses wird empfohlen, neutral vernetzendes Silikon, wie in den Abbildungen (4b.7), (4b.8), (7a.6) und (7a.8) gezeigt, zu verwenden. Silikon ist beigefügt.

BENÖTIGTE WERKZEUGE

Schraubendreher (Schlitz und Kreuzschlitz PH2)
 Gummihammer
 2 Leitern (1.80 m)
 Schraubenschlüssel 10 mm
 Ring-Gabelschlüssel
 Messer
 Zollstock
 Wasserwaage
 Akku-Schrauber mit einstellbarem Drehmoment.

WARTUNG

Das Gewächshaus sollte hin und wieder gründlich mit einer milden, PH-neutralen Reini-

gungslösung abgewaschen werden. Das Glas kann mit einem milden Reinigungsmittel gesäubert werden, das weder die Kunststoffteile, noch den Aluminiumrahmen, oder die Glasfederklammern angreift. Reinigen Sie die Türlaufschiene regelmäßig.

0. FUNDAMENT

Wichtig! Das Fundament muss absolut rechteckig und eben sein. Um das zu erreichen, werden eine Wasserwaage und ein Winkel benötigt.

Achtung: Wenn der Abstand zwischen zwei gegenüberliegenden Winkeln gleich ist, dann ist das Fundament rechteckig.

Für den Aufbau dieses Gewächshauses empfehlen wir ein solides Fundament aus Beton, Ziegelsteinen oder Mauerwerk. Wenn Sie mit der Konstruktion eines solchen Fundamentes keine Erfahrung haben, beauftragen Sie besser eine Firma, die auf diese Arbeiten spezialisiert ist. Material und Werkzeug für die Erstellung des empfohlenen Fundamentes sind nicht im Lieferumfang enthalten.

Halten Sie sich an die vorgeschlagene Fundamentvorbereitung, können Sie die Tür, wenn gewünscht, nicht nur in der Vorderseite sondern auch in jede andere Wand montieren. Das Fundament muss dann an der Auflage 210mm breit sein. An dieser Seite halten Sie sich an die Längen C or D als Referenz.

Das Fundament muss frostfrei gegründet werden.

Alle Zeichnungen sind von der Innenseite des Hauses gesehen abgebildet mit Ausnahme der Abbildungen, die in einem Doppelrahmen dargestellt sind, diese beschreiben die Außenansicht.

1. RÜCKWAND

Achtung: Wenn die Tür auf dieser Seite

des Hauses eingesetzt werden soll, Eine Zwischenprofil (7311)Ⓞ entfernen.

Drücken Sie die Dichtung (7396) in das Bodenprofil (7304 / 7306) und schneiden Sie sie auf Länge (1.1)(1.2).

Alle Teile auf dem Boden auslegen, die Schrauben (7052) in die Schraubenkanäle schieben und lose verschrauben. Achten Sie darauf, dass die Traufenwinkel (7314 / 7316) in die Ecken beider Eckprofile (7310) (1.3) (1.4) gedrückt werden und dass die Eckprofile (7310) und Zwischenprofile (7311) exakt an der Montagekante des Traufenwinkels sitzen (1.9) (1.12).

Die Diagonalprofile (7312) an beiden Seiten montieren (1.3) (1.4) (1.10) (1.11). Am Bodenprofil lose mit Schrauben (7050) befestigen. (7050) werden während der Verglasung (Schritt 7b) entfernt.

2. GIEBELENDE L

Achtung: Wenn die Tür auf dieser Seite des Hauses eingesetzt werden soll, das Zwischenprofil (7311)Ⓞ entfernen.

Die Dichtung (7396) in das Bodenprofil (7304) drücken und auf Länge schneiden (2.1) (2.2).

Alle Teile auf den Boden legen und lose verschrauben durch Einführen der Schrauben (7052) in die Schraubenkanäle. Das Traufenprofil (7319) an der Aussparung des Eckprofile (7437) befestigen (2.3) (2.4) und dann das Eckprofile (7437) am Bodenprofil (7304) (2.5) (2.6) montieren. Die Zwischenprofile (7311) (2.7) (2.8) am Bodenprofil (7304) und Traufenprofil (7319) (2.9) auf Stoß montieren.

Das Diagonalprofil (7312) (2.5) (2.9) (2.10) befestigen. An der Schwelle lose mit den Schrauben (7050) montieren. Die Schrauben (7050) werden während der Verglasung entfernt (Schritt 7b).

3. GIEBELENDE R

Achtung: Wenn die Tür auf dieser Seite des Hauses eingesetzt werden soll, das Zwischenprofil (7311) ① entfernen.

Alle Teile wie in Schritt 2 montieren.

4a. ZUSAMMENBAU DER ELEMENTE

Drücken Sie die Dichtung (7396) in das Bodenprofil (7304 / 7306) und schneiden Sie sie auf Länge (4a.1)(4a.2).

Um die vormontierten Wände miteinander zu verbinden, locker Sie bitte die Schrauben (7399) und Muttern (7053) im Bodenprofil (7304) wie in Abb. (4a.3) dargestellt. An der niedrigeren Eckprofilen führen Sie die Schraubenköpfe in den Schraubenkanal des Profils (7310) ein (4a.4).

Montieren Sie die Diagonalen (7312) an beiden Seiten wie in Abb. (4a.5) dargestellt. Am Boden befestigen Sie die Schraube (7050) nur lose, da Sie beim Verglasen in bei Schritt 7 noch mal entfernt werden muss.

Verwenden Sie die Schrauben (7399) und Muttern (7053) um die Profile (7319) mit den Eckprofilen (7310) zu verbinden und stellen Sie sicher, dass sie gegen das sie gegen das Dachprofil drücken (4a.6)(4a.7).

Montieren Sie die Schrauben (7399) und (7053) lose in den Bodenprofilen (7304/7306) wie in Abb. (4a.3) dargestellt. Führen Sie die Schrauben (7053) in die Schraubenkanäle der Profile (7437/7438), wie in Abb. (4a.4), ein.

Befestigen Sie bitte die Frontprofile (7444/7446) in der Aussparung der Eckprofile (7337/7438) und verwenden Sie hierzu die Schrauben (7399) und die Muttern (7053).

Befestigen Sie bitte Das Giebelprofil (7434/7436) auf den Eckprofilen (7437/7438). Siehe Abb. (4a.10)(4a.11).

Befestigen Sie die Diagonalprofile in der Frontseite (7312). Am Bodenprofil ziehen Sie die Schrauben nicht feste an (7050) beim Verglasungsvorgang (7B) müssen diese wieder gelöst werden.

Richten Sie den Rahmen nun auf dem vorbereiteten Fundament aus. Überprüfen Sie, ob das Haus im Lot ist und bohren Sie Ø6 Löcher durch die Vorbereiteten Löcher in (7304) und (7306). Führen Sie die Dübel (7421) ein und verbinden Sie den Rahmen lose auf dem Fundament. Verwenden Sie hierzu die Schrauben (7411) wie in Abb. (4a.12).

4b. DACH

Befestigen Sie nun bitte die Profile (7439) zwischen den Giebelprofilen (7434/7436) und den waagrechten Profilen (7444/7446) wie in

Abb. (4b.2).

Befestigen Sie nun bitte die Profile (7439) zwischen den Giebelprofilen (7434/7436) und den waagrechten Profilen (7444/7446) wie in Abb. (4b.2).

Befestigen Sie nun die Dacheckprofile (7432/7433) an den Giebelprofilen (7434/7436) und den Eckprofilen (7437/7438) verwenden Sie hierbei die Eckbleche (7348) Abb. (4b.6)

Schrauben Sie die seitlichen Mittelprofile (7346/7347) nun zwischen den Profilen (7319/7320) und den Dacheckprofilen (7432/7433) an. Auch hier verbauen Sie, wie in Abb. (4B.5) dargestellt die Eckbleche (7348).

Führen Sie nun die Schrauben (7052) in die Schraubenkanäle der Zwischenprofile (7426) ein. An der Traufe und weiter unten an dem Traufenwinkel (7314/7316) verwenden Sie Unterlegscheiben (7053) und Muttern (7053) Abb. (4b.7)/(4b.8). Vergewissern Sie sich, dass (7426) korrekt auf der Ecke des Traufenwinkels und passgenau zu dem kleinen Loch auf der Außenseite der Traufe (7426) sitzt (4b.9).

Führen Sie (7052) in den Schraubenkanal (7426) am Giebel ein und verbinden Sie es. (7434/7436) (4b.10).

Überprüfen Sie den Rahmen, ob alles im Winkel ist und falls ja, zeichnen Sie alle Schrauben (7411/7412) an.

WICHTIG: bitte überdrehen Sie die Schrauben nicht!

Montieren Sie nun die Eckwinkel (7331) zwischen jedes seitliche Mittelprofil (7311) und Dachzwischenprofil (7426). Verwenden Sie hierzu die Hammerkopfschrauben (7399) Abb. (4b.11/4b.12)

5a. SEITENFENSTER

Das untere Fensterprofil (7451) mit den Seitenprofilen (7453) und (7454) verschrauben (5a.2) (5a.3). Scheibe D in die entsprechenden Führungen (5a.5) der montierten Profile schieben (5a.4) (5a.5). (7052) und (7053) lose in das obere Fensterprofil (7450) stecken und auf (7453) und (7454) schieben, wobei die Schraubköpfe von (7052) in die Schraubenkanäle und die Verglasung in die Verglasungskanäle geführt werden müssen (5a.6) (5a.7).

Achtung: Wenn Sie 4 mm Verglasung gewählt haben, schneiden Sie die Dichtung (7420) passend und drücken Sie diese in die Verglasungskanäle an der Fensterinnenseite um das Glas zu fixieren (5a.8) (5a.9) Prüfen Sie, ob das Fenster rechteckig ist, bevor alle Schrauben fest angezogen werden.

Die Schrauben müssen fest, aber nicht zu fest angezogen werden.

Die Bürstendichtung (7457) in fortlaufender Länge oben in die Führungen und Seitenprofile (7454) (7450) (7453) (5a.10) hineinschieben und auf Länge schneiden. **Achtung:** Wenn die Bürstendichtung (7457) sich sichtbar verschiebt wenn das Fenster geschlossen wird (siehe Schritt 8a) kann diese gekürzt werden (5a.10).

Den Fensteraufsteller (7090) mittels Abstandsplatte (7413) und zweier Schrauben (7349) montieren (7349) (5a.11) (5a.12). Die Kunststoffkappen (6070) auf alle Schrauben (7053) drücken (5a.13).

5b. OBERFENSTER

Alle Teile wie in Schritt 5a montieren.

6a. SCHIEBETÜREN

Die Bürstendichtung (7332) in die Türführungen (7352) (7353) (7355) (7356) (7357) (6a.2) hineinschieben und auf Länge schneiden.

Die Türlaufrollen (7364) lose auf den unteren Türprofilen (7355) befestigen mit Abstandshaltern (7392) auf jeder Seite der Rolle, Schraube (7393), Festhalter (7350) und selbstschneidender Mutter (7360) (6a.3) Die unteren Türprofile (7355) mit den Seitenprofilen (7357) oder (7358) verschrauben. (6a.3) (6a.7a).

Die mittleren Türprofile (7354) und (7384) mit dem zweiflügeligen Kastenriegelschloss (7400) (7401) und (7402) mit Hilfe von Schrauben (7404) verbinden. Die Seitenstreben (7357) oder (7358) mit Schrauben (7052), Muttern (7053) und Schrauben (7405) befestigen (6a.4) (6a.5) (6a.8). **Die Schrauben (7404) und (7405) müssen fest, aber nicht zu fest angezogen werden.**

Die oberen Türprofile (7352) oder (7353) mit den seitlichen Türprofilen (7357) oder (7358) verschrauben (6a.6) (6a.7b).

Die Scheiben G in die Verglasungsschienen der montierten Teile schieben (6a.9).

(7052) und (7053) lose in die Türseitenprofile (7356) einführen und auf (7355), (7354) oder (7384) und (7352) oder (7353) schieben und die Schraubenköpfe (7052) in die Schraubenkanäle, sowie die Verglasung in die Verglasungskanäle (6a.9) (6a.10) einpassen. Die Türführungen (2271) oben in beide Türen einführen (6a.6).

Achtung: Wenn Sie 4 mm Verglasung gewählt haben, schneiden Sie die Glasdichtung (7420) passend und drücken sie in die Verglasungskanäle auf der Innenseite der Tür um das Glas zu fixieren. (6a.11).

6b. TÜRRAHMEN UND TÜRSCHWELLE

Türversteifung (7362) mittels Schrauben (7390) in der Türöffnung auf dem Bodenprofil (6b.1) (6b.2) befestigen.

Türlaufschiene (7351) neigen, um sie in das Schwellenprofil zu schieben und in Position bringen (6b.3). In der Mitte der Türöffnung platzieren und mittels Wanddübeln (2003) und Schrauben (2002) am Fundament anschrauben (6b.4).

Die Türseitenrahmen (7361) mit den Zwischenprofilen (7311) verschrauben. Wenn sie in Position gebracht sind, oben mit Schrauben (7052) und Muttern (7053) (6b.5) – (6b.8) verschrauben.

Unten Schrauben (7052) in die Kanäle auf beiden Seiten der Türschwelle (7363) (6b.9) einführen und die Türschwelle an die richtige Stelle schieben (6b.10)(6b.11).

7. GLASÜBERSICHT

Bitte sortieren Sie die Verglasung anhand Ihrer Modellgröße und Verglasungsart bevor Sie beginnen. Wenn Sie Glas gewählt haben, dann sind die Scheiben E und F auf beiden Seiten identisch.

Achtung – Die UV-beständige Seite der Hohlkammerplatten ist durch eine Plastikfolie oder einen gedruckten Hinweis an den Kanten gekennzeichnet. **Diese Seite muss nach außen zeigen.** Lösen Sie die Folie vor dem Aufbau ca. 2 cm weit an allen Kanten. Wenn alle Scheiben eingesetzt sind, entfernen Sie die Folie vollständig von allen Scheiben.

7a. VERGLASUNG VON DACH / TRAUFE

Schieben Sie die Dachverglasung in die Führungsschienen der Dachprofile (7a.2) (7a.3). Wenn zwei nebeneinander liegende Scheiben in Position sind, die Verglasungs-Stopps (7342) oder (7343) durch die vorgebohrten Löcher mit selbstschneidenden Schrauben (7349) auf dem dazwischen liegenden Dachprofil anbringen(7a.4) (7a.5). Die Scheiben sollten herunterrutschen und an diesen Stopps hängenbleiben.

Das Traufenprofil (7324 / 7326) an der Nut des Traufenwinkels (7a.6) ansetzen und herunterziehen, um es gegen den Traufenwinkel zu drücken. Alternativ kann das Traufenprofil seitlich eingeschoben werden. Mit Schrauben (7052) von außen und Muttern (7053) von der Hausinnenseite mit dem Traufenwinkel verschrauben (7a.7).

Schieben Sie die Glasdistanzhalter (7424) wie in Abb. (7a.9) auf den Traufenwinkel und den Glasdistanzhalter (7425) über die Außenecke des Giebels (7a.10). Zur Befestigung des Giebels (7425) verwenden Sie die Schraube (7349) (7a.10).

Zur Befestigung des Verglasungsendprofil (7447/7449) am Giebel verwenden Sie die Schrauben (7052), welche Sie in den Schraubenkanal der Dachzwischenprofile schieben und mit der Mutter(7053) verschrauben. Abb. (7a.10). Zur gleichen Zeit befestigen Sie die Kunststoffkappen (7468 und 7469) so, dass Sie die offenen Enden der Dacheckprofile (7432/7433) abdecken und hinter die Endkappen (7447/7449) passen. Abb. (7a.10)(7a.11)

7b. SEITENVERGLASUNG

Bitte entscheiden Sie sich an dieser Stelle, in welche Felder Sie die beiden Seitenfenster einbauen wollen. **Achtung:** Die Fenster können nicht in ein Feld an der Ecke oder direkt neben dem Türeingang montiert werden. Es muss eine komplette Sektion dazwischen liegen. Die Glasscheiben H werden dann anstelle der Glasscheiben A in diese Felder eingesetzt.

Glasdichtung (7382) jeweils in die obere Nut in (7381) drücken und passend schneiden.

Bei Verglasung mit Glas die Glasdichtung (6090) auf die Aluminiumprofile (7b.2) drücken und auf Länge schneiden.

Achtung: Es ist empfehlenswert, die Glasdichtungen (6090) auf allen horizontalen Glasführungen etwas kürzer zu schneiden und mittig zu platzieren. Dadurch kann Kondenswasser, das sich im Inneren ansammelt, entweichen.

Achtung: Bei Polycarbonat-Verglasung wird keine Gummidichtung benötigt.

Durch das Einführen der Schraubköpfe (7050) in die verschiedenen Führungen in der Abdeckleiste ist es möglich, das Gewächshaus mit 3 mm, 4 mm, 10 mm oder 16 mm starken Scheiben zu verglasen. (7b.2).Führen Sie in jede Abdeckleiste Schrauben (7050) ein, wie in (7b.3) gezeigt.

Für 10 mm Verglasung 1 Abstandshalter (7407) in die Mitte/oberhalb jeder Scheibe A (7b.4) einführen. Jede Glasscheibe A in den Rahmen schieben und die vertikalen Abdeckleisten (7372) oder (7373) lose mit den Muttern (7053) verschrauben.

Scheibe A 15 mm hoch anheben und mit den Abdeckleisten (7381) lose unter der Scheibe verbinden.

Achtung: Die Schrauben (7050), die benutzt wurden, um die Diagonalprofile in Schritt 1, 2, 3 und 4a zu halten, müssen jetzt entfernt und neu montiert werden (7b.8).

Für 10 mm Verglasung 4 Abstandshalter (7409) jeweils auf (7319), (7320) und (7444 / 7446) (2 Abstandshalter für jede Scheibe E, F und J) (7b.5) (7b.6) einfügen. Scheiben E, F und J justieren. Abdeckleisten (7442) oder (7443) montieren und dann (7379) / (7470) oder (7380) / (7471) lose einbauen.

Wichtig: Bei Polycarbonateindeckung verwenden Sie die Distanzhülsen (7467) unterhalb der Endkappen (7468) oder (7469) je nach Stärke der Verglasung. Bei 10mm verwenden Sie eine (7467), bei 16mm zwei (7467). Die Kappen (7442) und (7443) üben dann Druck auf die Endkappen halter (7468) und (7469) aus und fixieren Sie.

Alle Schrauben fest, aber nicht zu fest anziehen.

Achtung: Die vertikalen Abdeckleisten lassen sich am besten montieren, wenn zuerst die obere Schraube, danach die mittlere und zuletzt die untere Schraube in das Loch eingesetzt werden. Stellen Sie sicher, dass die Abdeckleisten mit dem Bodenprofil in Kontakt bleiben.

8a. MONTAGE SEITENFENSTER

Entfernen Sie die Muttern (7053) von den vertikalen Abdeckleisten (7372) an den mittleren Profilen (7311) neben der Fensteröffnung. Schieben Sie (7053) und (7399) lose in die unteren Löcher der Fensterseitenrahmen (7311) oberhalb der Glasscheibe H (8a.2) und montieren Sie die Kunststoffkappe (7053) neu (8a.3) (8a.4).

Schieben Sie (7053) und (7399) in das untere Loch des Fensterbankprofils (7452). Drehen Sie das Profil so weit, dass es die Glasscheibe H und die mittlere sichtbare Mutter an beiden Seiten (7452) abdeckt (8a.5). Befestigen Sie die mittleren sichtbaren Muttern (7053) wieder (8a.6).

Befestigen Sie das Fensterscharnier (7419) mit den Schrauben (7088) an den Fensterrahmen (7455) und (7456) (8a.7).

Achtung: Benutzen Sie ausschließlich die dafür vorgesehenen Löcher im Scharnier.

Befestigen Sie das vormontierte Fenster (siehe Schritt 5a) mittels Schrauben (7088) an den Seitenprofilen mit den Fensterscharnieren (7419). **Achtung:** Benutzen Sie ausschließlich die dafür vorgesehenen Löcher im Scharnier.

Schließen Sie das Fenster und stellen Sie sicher, dass es über dem Fensterbankprofil (7452) ohne Kontakt schließt. Die Fensterhöhe kann mit Hilfe der Löcher im Scharnier (7419) justiert werden. Wenn das Fenster richtig justiert ist, fixieren Sie dieses indem Sie zusätzliche Schrauben in die übrigen Löcher schrauben.

Montieren Sie die Einrastzapfen (6056) am Fensterbankprofil (7452) mittels Schrauben (7403) (8a.9). Platzieren Sie diese durch Ausrichtung mit den langen Löchern im Fensteraufsteller (7090) wenn das Fenster geschlossen ist (8a.10). Wenn das Fenster geschlossen ist, kann der Fensteraufsteller (7090) an beiden Einrastzap-

fen (6056) eingerastet werden um das Fenster fest zu schließen. (8a.10).

Achtung: Wenn sich die Bürstendichtung (7457) im oberen Fensterprofil (7450) verschiebt wenn das Fenster geschlossen wird, kann diese entsprechend gekürzt werden, Details siehe (5a.10).

Verfahren Sie für die Montage des anderen Fensters genauso.

8b. MONTAGE OBERFENSTER

Entfernen Sie die Muttern (7053) der Schrauben, der Verglasungsleisten (7440) und (7441) von den Eckprofilen (7437/7438) und den Zwischenprofilen (7439) rechts und links der Fensteröffnung. Abb. (8b.1).

Stecken Sie die Fensterseitenprofile (7465) und (7466) nun auf die vorbereiteten Schrauben (8b.1)(8b.2) und befestigen Sie anschließend wieder die Verglasungsleisten mit der Mutter (7053) (8b.3) und (8b.4).

Schrauben Sie lose die (7053) und (7399) in die Löcher des unteren Fensterprofils (7462). Bewegen Sie so, dass der Kopf von (7399) in den Schraubenkanal des vertikalen Profils passt (7444/7446). Wie in Abb. (8b.5 und 8b.6) dargestellt.

Verwenden Sie die Schraube (7088) um das Fensterscharnier (7419) zu befestigen. Schrauben Sie es an die Seitenrahmen (7465) und (7466) wie in Abb. (8b.7).

Wichtig: Verwenden Sie nur die vorbereiteten Langlöcher im Scharnier.

Befestigen Sie nun die vorbereiteten Fenster (Sektion 5B) zwischen den Zwei Fensterscharnieren (7419) mit den Schrauben (7088)

Wichtig: Verwenden Sie nur die vorbereiteten Langlöcher im Scharnier.

Schließen Sie nun das Fenster und stellen Sie sicher, dass es oberhalb der Fensterbank (7462) schließt, ohne diese zu berühren. Die Fensterhöhe kann über die Langlöcher in den Scharnieren (7419) angepasst werden. Wenn es korrekt schließt, schrauben Sie die die übrigen Schrauben fest.

Schrauben Sie nun die Fensternocken (6056) mit den Schrauben (7403) an die Fensterbank (7462) Abb. (8b.9). Passen Sie nun die richtige Position des Fensterhebels (7090) mit Hilfe des Schraubenkanals bei geschlossenem Fenster an. (8b.10). Wenn das Fenster geschlossen ist, muss der Fensterhebel (7090) auf beiden Fensternocken (6056) sitzen und damit das Fenster verschließen. (8b.10)

Wichtig: wenn die Bürstendichtung (7457) über die Ecke von (7460) bei geschlossenem Fenster übersteht, kann man es einfach passend schneiden. Abb. (5b.10)

(11500) für das andere Fenster wiederholen.

9. DIE LETZTEN HANDGRIFFE

Führen Sie die Regenrinnenanschlussstücke (7370) und (7371) in beide Enden des Traufenprofils (7324 / 7326) (9.1) (9.2) ein.

Achtung: Es kann helfen, das Traufenprofil an der oberen Kante vorsichtig vom Haus weg zu ziehen, so dass die Öffnung für den Kunststoff größer wird.

Führen Sie die Hammerkopfschrauben (1412) in den Schraubenkanal am unteren Ende des Eckprofils (7310) ein und verschrauben Sie (1405) und (1409) mit der Aluminium-Mutter (1002) auf beiden Seiten (9.3). Montieren Sie das Kniestück (1402) am Ende des Regenablaufrohrs (1415) (9.6) und verbinden Sie dieses mit den Regenrinnenanschlussstücken (7370) oder (7371) (9.9). Die Fallrohrklammer (1403) um das Fallrohr spannen und mit (1409) verbinden (9.4). Schraube (1006) hineinstecken um das Regenablaufrohr zu fixieren (9.5).

Montieren Sie die Türschwelle (7359) in die Türöffnung. Verbinden Sie sie mit (7444/7446) indem Sie die Schrauben (7052) in den Schraubenkanal auf der Außenseite der Profile schieben und mit den Muttern (7053) befestigen. Abb. 9.7

An beiden Enden des Türführungsprofils (7359) Schrauben (7352) von oben einsetzen und mit Muttern (3002) von unten befestigen, um die Öffnung der Tür zu begrenzen. (9.7) (9.8).

Die Kunststoff-Türführung (2771) in das Türführungsprofil (7359) (9.9) (9.10a) einschieben und dann die Rollen unten auf die Türlaufschiene setzen (7351) (9.10b). Die Türfesthalter (7350) unter der Nase (7351) einhaken und die Türrollenschrauben (7360) festziehen (9.10b).

Die Kunststoffkappen (6070) auf alle sichtbaren Muttern (7053) im Haus drücken (9.11).

ABSCHLUSSARBEITEN

Optional können Sie das Gewächshaus auch noch in den Ecken mit neutral vernetzendem Silikon abdichten. Hierfür ist kein Silikon im Lieferumfang enthalten.

Den beiliegenden Warnaufkleber von innen aufkleben.

Bitte überprüfen Sie 2 Wochen nach dem Aufbau, ob alle Schrauben fest sitzen.

Ihr Händler hält ein reichhaltiges Sortiment an Gewächshaus-Zubehör für Sie bereit. Sprechen Sie ihn an.

SICHERHEITSHINWEIS

Bei starkem Wind sollten alle Öffnungen und

die Tür geschlossen sein. Dächer von Gewächshäusern sind rechtzeitig von Schnee zu räumen, so dass keine gefährliche Schneebelastung eintreten kann. Heizen Sie das Gewächshaus im Winter.

ANMERKUNGEN

Zum vollen Schutz des Gewächshauses empfehlen wir, es mit in Ihre Hausversicherung einzuschließen. Beachten Sie eventuell vorhandene örtliche Bauvorschriften.

Den mitgelieferten Typaufkleber nach erfolgter Montage des Gewächshauses auf das Radgehäuse (7352) oder (7353) kleben. Die Typbezeichnung benötigen Sie zur Angabe bei der Bestellung evtl. benötigter Ersatzteile.

Bitte heben Sie die Montageanleitung auf!

Alle Maßangaben sind Annäherungswerte, Änderungen vorbehalten.

Veiligheidsvoorschriften

1. LEEST U EERST DE GEHELE INSTRUCTIES DOOR ALVORENS TE BEGINNEN MET DE OPBOUW VAN DE KAS.

1. Draag altijd handschoenen als u met glas, polycarbonaat platen of aluminium werkt, deze kunnen scherpe hoekjes en/of randen hebben die tot verwondingen kunnen leiden. Indien glas gebroken is dient u het veilig en meteen op te ruimen.
2. Het product dat u heeft gekocht is alleen bestemd voor het kweken van planten. Wanneer deze voor andere doeleinden zal worden gebruikt dragen wij hier geen verantwoordelijkheid voor.
3. Wij raden u aan de kas met twee personen in elkaar te zetten.
4. Wanneer een trapladder wordt gebruikt, dient één persoon deze altijd te stabiliseren terwijl de andere werkt.
5. Mocht u problemen hebben het glas of polycarbonaat platen in te passen, neem dan contact op met uw leverancier. **Gebruik geen geweld.**
6. De kas moet altijd worden verankerd.

Montage Instructies

KIEZEN PLAATS

Probeer altijd een zonnige plaats te kiezen die zoveel mogelijk tegen wind beschermt is.

BELANGRIJK

Controleer a.u.b. of u alle onderdelen op de meegeleverde lijst hebt voordat u begint aan het in elkaar zetten van uw nieuwe kas. Haal a.u.b. elk pakket uit de doos om de onderdelen beter te identificeren.

Het is belangrijk dat de open pakketten niet door elkaar gehaald worden.

Als er onderdelen ontbreken, neem dan a.u.b. contact op met uw leverancier.

N.B. - De UV-bestendige kant van de polycarbonaat ruiten wordt aangegeven door de kunststoffolie en de bedrukking op de rand. **Deze kant moet naar buiten zitten.**

Om de kas effectief af te dichten wordt geadviseerd dat u neutrale silicone toepast zoals op tekening (4b.7), (4b.8), (7a.6) en (7a.8). Er wordt voor dit doel silicone meegeleverd.

VEREISTE GEREEDSCHAPPEN

Schroevendraaiers (normaal en kruiskop PH2)

Rubberen hamer

2 x 1,8 m ladder

10 mm moer- of steeksleutel

10 mm combinatiesleutel

Stanleymes

Maatstok

Waterpas

Accuboormachine met instelbaar moment

ONDERHOUD

Om uw kas schoon te houden dient deze af toe grondig gereinigd te worden met een zacht reinigingsmiddel. Zorg er a.u.b. voor dat het reinigingsmiddel niet agressief reageert met aluminium of kunststof.

Om te voorkomen dat zich vuil ophoopt in de deurrails, zal men deze regelmatig moeten schoonmaken.

0. FUNDERING

Belangrijk! Let op dat de fundering haaks en waterpas staat. Om dit te bereiken zult u een waterpas en een rechte hoek nodig hebben.

N.B. - Als de afstand tussen de twee tegenover elkaar liggende hoeken gelijk is, dan is de fundering haaks.

Voor het opbouwen van de kas adviseren wij een stabiele, van beton, metsel- of steenwerk gemaakte fundering.

Als u geen ervaring hebt met het maken van een dergelijke fundering, moet u een bedrijf raadplegen dat zich in dit werk specialiseert.

Er worden geen materialen en gereedschappen meegeleverd om de geadviseerde fundering voor te bereiden.

De geadviseerde fundering maakt het mogelijk dat de deur in de voorkant van de kas kan worden geplaatst. De deur kan, indien gewenst, ook aan elke andere kant worden geplaatst. In dat geval dient u de 210 mm fundering aan die kant voor te bereiden met behulp van de lengte C of D als referentie.

De fundering moet tot beneden de vorstgrens zitten.

Op de tekeningen met het enkelvoudige frame wordt de binnenkant van de kas getoond. Op de tekeningen met het dubbele frame wordt de kas van de buitenkant bekeken.

1. ACHTERELEMENT

N.B. - Als de deur aan deze kant van de kas wordt gemonteerd, verwijder dan één van de middenprofielen (7311)Ⓛ.

Duw de afdichting (7396) in het kalfje (7304 / 7306) en snij deze voor beide einden passend af (1.1) (1.2).

Leg al deze onderdelen, volgens het model, op de grond en verbind deze losjes door boutjes (7052) in de boutkanalen te steken. Zorg ervoor dat de hoeken van de zijkant (7314 / 7316) in de hoek van beide hoekbalken (7310) (1.3) (1.4) worden gedrukt en dat de hoekbalken (7310) en middenbalken (7311) op de juiste wijze op de montagerand op de hoek van de zijkant (1.9) (1.12) liggen.

Monteer de diagonale balken (7312) aan beide kanten (1.3) (1.4) (1.10) (1.11). Maak deze bij het kalfje losjes vast m.b.v. een boutje (7050). (7050) zal tijdens de beglazing worden verwijderd (paragraaf 7b).

2. PLATTE TOPGEVEL L

N.B. - Als de deur aan deze kant van de kas wordt gemonteerd, verwijder dan het middenprofiel (7311)Ⓛ.

Duw de afdichting (7396) in het kalfje (7304) en snij deze voor beide einden passend af (2.1) (2.2).

Leg al deze onderdelen op de grond en verbind deze losjes door boutjes (7052) in de boutkanalen te steken. Monteer het eindprofiel (7319) in de uitsparing in het muurprofiel (7437) (2.3) (2.4) en dan (7437) op het kalfje (7304) (2.5) (2.6). Monteer de middenprofielen (7311) (2.7) (2.8).

Monteer het diagonale profiel (7312) (2.5) (2.9) (2.10). Maak deze bij het kalfje losjes vast m.b.v. een boutje (7050). (7050) zal tijdens de beglazing worden verwijderd (paragraaf 7b).

3. PLATTE TOPGEVEL R

N.B. - Als de deur aan deze kant van de kas wordt gemonteerd, verwijder dan het middenprofiel (7311)Ⓛ.

Monteer alle onderdelen zoals in paragraaf 2.

4a. DE ELEMENTEN VERBINDEN

Druk zegel (7396) in de dorpelbalk (7304/7306) en snij af om de uiteinden te monteren (4a.1) (4a.2).

Om de vooraf voorbereide wanden te verbinden, plaatst u de bouten (7399) en moeren (7053) losjes in de dorpelbalken (7304) zoals afgebeeld op (4a.3) In de onderste hoekbalken (7310) de boutkoppen van (7052) in de boutkanalen van (7310) aanbrengen. (4a.4).

Monteer diagonale balken (7312) aan beide kanten (4a.5). Losjes op de dorpel bevestigen met behulp van bout (7050). (7050) zal tijdens de beglazing worden verwijderd (paragraaf 7b).

Bevestig met behulp van bouten (7399) en moeren (7053) de eindbalken (7319) en (7320) aan de hoekbalken (7310) waarbij u ervoor dient te zorgen dat ze tegen de hoekbalk van de dakrand worden gedrukt (4a.6) (4a.7).

Plaats de bouten (7399) en moeren (7053) losjes in de dorpelbalken (7304/7306) zoals afgebeeld op (4a.3). In de onderste hoekbalken (7437/7438) , de boutkoppen van (7052) in de boutkanalen van (7437/7438) aanbrengen. (4a.4).

Monteer de voorste balk (7444/7446) in de uitsparing in de hoekbalken (7337/7438) met behulp van bouten (7399) en moeren (7053) (4a.8) (4a.9).

Monteer de nokbalk (7434/7436) aan de uiteinden van de hoekbalken (7437/7438) (4a.10) (4a.11).

Monteer de diagonale balken (7312) in de voorkant. Losjes op de dorpel bevestigen met behulp van bout (7050). (7050) zal tijdens de beglazing worden verwijderd (paragraaf 7b).

Plaats het gemonteerde frame op de voorbereide fundering.

Controleer of de kas waterpas staat en boor Ø6 gaten door de voorbereide gaten in (7304) en (7306).

Plaats muurpluggen (7421) in de gaten en verbindt die losjes met de fundering met behulp van schroeven (7411) (4a.12).

4b. DAK

Monteer de middelste balken (7311) losjes tussen dorpel (7304/7306) en horizontale balk (7444/7446) (4b.1) (4b.2).

Monteer de middelste balken (7439) losjes tussen nok (7434/7436) en horizontale balk (7444/7446) (4b.2).

Monteer de dakhoekbalken (7432) (7433) op

de hoek van de dakrand (4b.3) (4b.4). Zorg ervoor dat de dakhoekbalken correct zitten op de montagerand op de hoek van de dakrand (4b.9) en dat de kleine gaten aan de buitenkant van (7432/7433) zich bij het uiteinde van de dakrand bevinden (4b.3).

Verbind de dakhoekbalken (7432) (7433) met de nok (7434/7436) en met de voorste hoekbalken (7437/7438) met behulp van plaat (7348) (4b.6).

Monteer de middelste balken van de zijkant (7346) en (7347) tussen de horizontale balken (7319/7320) en de dakhoekbalken (7432/7433) met behulp van plaat (7348) (4b.5).

Voer de bouten (7052) in de boutkanalen in de middelste balken van het dak (7426) op de dakrand en zak af naar de hoek van de dakrand (7314/7316) met behulp van afdichting (7395) en moer (7053) (4b.7) (4b.8). Zorg ervoor dat (7426) correct op de montagehoek van de hoek van de dakrand zit (4b.9) en dat het kleine gat aan de buitenkant van (7426) zich aan het uiteinde van de dakrand bevindt.

Voer (7052) in het boutkanaal (7426) in aan de nok en verbind deze met de nok (7434/7436) (4b.10).

Stel het frame af totdat dit volledig rechthoekig en draai alle schroeven (7411) en (7412) en moeren (7053) aan. **Niet te vast aandraaien.**

Monteer de hoekbeugels (7331) tussen elke middelste balk van de zijkant (7311) en middelste balk van het dak (7426) door de afgekante boutkoppen (7399) in de boutkanalen te voeren (4b.11) (4b.12).

5a. ZIJRAAM

Verbind de onderste balk van het raam (7451) met de zijbalken (7453) en (7454) (5a.2) (5a.3).

Schuif paneel D in de glassleuven (5a.5) in de gemonteerde delen (5a.4) (5a.5).

Bereid (7052) en (7053) losjes voor in de bovenste balk van het raam (7450) en schuif ze zover totdat (7453) en (7454) bij de schroefkoppen van (7052) passen en het glas in de glassleuven (5a.6) (5a.7).

Opmerking - Als u voor glas van 4 mm gekozen hebt, snij dan de afdichting van het glas (7420) op maat zodat deze in de glassleuven aan de binnenkant van het raam past om het glas op zijn plek te krijgen (5a.8) (5a.9).

Controleer of het zijraam haaks zit voordat u de bouten vastdraait.
Niet te vast aandraaien.

Plaats de borstelafdichting (7457) in de geleiders van de boven- en zijbalken (7454) (7450) (7453) (5a.10), gebruik daarvoor 1 doorlopende lengte snij deze op maat.

Opmerking - Als de borstelafdichting (7457)

visueel stoort als het raam gesloten is (zie paragraaf 8a) kan deze korter worden geknipt (5a.10).

Verbind de raamopener (7090) met (7451) met behulp van sluitring (7413) en twee schroeven (7349) (5a.11) (5a.12).

Plaats de plastic moerdopjes (6070) door ze op alle moeren (7053) (5a.13) te drukken.

5b. BOVENSTE RAAM

Monteer alle onderdelen zoals in paragraaf 5a.

6a. SCHUIFDEUREN

Installeer borstelrubber (7332) in de geleiders in de deurprofielen (7352) (7353) (7355) (7356) (7357) (6a.2) en snij het op lengte.

Monteer de wielen (7364), door middel van afstandsbusen (7392) aan weerszijde van het wiel, boutje (7393), clip (7350) en borgmoer (7360), losjes op de onderprofielen van de deur (7355) (6a.3).

Verbind (7355) met de zijprofielen van de deur (7357) of (7358) (6a.3) (6a.7a).

Monteer de middenprofielen van de deur (7354) of (7384) met borgonderdelen (7400), (7401) en (7402) door middel van boutjes (7404). Verbind met zijprofielen van de deur (7357) of (7358) d.m.v. boutjes (7052), moertjes (7053) en boutjes (7405) (6a.4) (6a.5) (6a.8). **Belast de boutjes (7404) en (7405) niet met teveel kracht.**

Verbind de bovenprofielen van de deur (7352) of (7353) met de zijprofielen van de deur (7357) of (7358) (6a.6) (6a.7b).

Schuif ruit G in de beglazingskanalen in de gemonteerde onderdelen (6a.9).

Prepareer (7052) en (7053) losjes in de zijprofielen van de deur (7356) en schuif ze op (7355), (7354) of (7384) en (7352) of (7353), terwijl de boutkoppen van (7052) in de boutkanalen en de beglazing in de beglazingskanalen (6a.9) (6a.10) worden gemonteerd. Installeer de deurgeleiders (2271) in de bovenkant van beide deuren (6a.6).

N.B. - Als u glasbeglazing van 4 mm hebt gekozen, snij dan het beglazingsprofiel (7420) op lengte en duw het in de ruimte in de beglazingskanalen aan de binnenkant van de deur om het glas op zijn plaats vast te zetten (6a.11).

6b. DEURFRAME EN ONDERDORPEL

Monteer de deursteen (7362) op het kalffe in de deuropening d.m.v. boutjes (7390) (6b.1) (6b.2).

Kantel de rail van het deurwiel (7351) zodat deze in het kalfje past en laat deze op zijn plaats zakken (6b.3). Centreer op de deuropening en verbind met de fundering d.m.v. muurplug (2003) en schroef (2002) (6b.4).

Verbind de zijframes van de deur (7361) met de middenprofielen (7311). Verbind deze na plaatsing met de bovenkant d.m.v. boutje (7052) en moertje (7053) (6b.5) - (6b.8).

Installeer onderaan een boutje (7052) in het kanaal aan beide kanten van de onderdorpel (7363) (6b.9) en schuif de onderdorpel op zijn plaats (6b.10) (6b.11).

7. OVERZICHT BEGLAZING

Sorteer a.u.b. de beglazing op afmeting en beglazingstype van uw model alvorens te beginnen. Als u glas hebt gekozen, dan zijn ruit E en F aan beide kanten identiek.

N.B. - De UV-bestendige kant van de polycarbonaat ruiten wordt aangegeven door de kunststoffolie of de bedrukking op de rand.

Deze kant moet naar buiten zitten. Maak vóór de montage de folie op alle randen van elke ruit ongeveer 2 cm los. Als de montage van alle ruiten klaar is, verwijder dan de folie helemaal van de ruiten.

7a. DAKBEGLAZING/DAKRAND

Schuif de dakbeglazing in de geleiders in de dakprofielen (7a.2) (7a.3). Als twee aan elkaar grenzende ruiten op hun plaats zijn, schroef dan de beglazingsaanslagen (7342) of (7343) op het dakprofiel ertussenin d.m.v. de voorbereide gaten en zelftappende schroeven (7349) (7a.4) (7a.5). De ruiten moeten naar beneden schuiven tot tegen deze aanslagen.

Buig het profiel van de zijkant (7324 / 7326) in de hoek van de zijkant (7a.6) en zet het omhoog tot tegen de hoek van de zijkant. Verbind het met de hoek van de zijkant d.m.v. boutjes (7052) aan de buitenkant en moertjes (7053) binnen de kas (7a.7).

Voer de afstandhouder voor de beglazing (7424) boven de binnenrand van de hoek van de dakrand (7a.9) en afstandhouder voor de beglazing (7425) boven de buitenrand van de nokbalk (7a.10). Zet de nokoplossing (7425) op zijn plek met behulp van schroef (7439) (7a.10).

Monteer de eindafdekking van de beglazing (7447/7449) aan de nok met behulp van bouten (7052) die in de boutkanalen van de dakbalk zijn geplaatst, en met moeren (7053) (7a.10). Plaats op hetzelfde moment de plastic eindkappen (7468) en (7469) zo dat die de open uiteinden van de dakhoekbalken (7432/7433) afdekken en zet ze vast achter de eindkap (7447/7449) (7a.10) (7a.11).

7b. ZIJBEGLAZING

Bepaal op dit punt in welke velden u de twee zijramen wilt monteren.

Opmerking: Dezen kunnen niet gemonteerd worden in een hoekveld of in velden die aan de deuropening grenzen.

In deze velden worden dan de glaspanelen H gemonteerd in plaats van glaspaneel A.

Duw de glasafdichting (7382) in de bovengroef in elke (7381) en snij deze voor beide einden passend af.

Als de beglazing uit glas van bestaat, duw dan de glasafdichting (6090) op de aluminium profielen (7b.2) en snij deze op lengte.

N.B. - Er wordt geadviseerd om op alle horizontale glasgeleiders kleinere lengten van de afdichting (6090) in het midden van elk veld te gebruiken. Hierdoor kan condenswater dat zich in de kas ophoopt, ontwijken.

N.B. - Bij polycarbonaat is het glasrubber niet nodig.

Door plaatsing van de (7050) boutkop in de verschillende geleiders in de glasafdekking kan de kas met ruiten van 3 mm, 4 mm, 10 mm of 16 mm (7b.2) worden beglaasd. Prepareer boutjes (7050) in elke glasafdekking zoals op de tekening (7b.3).

Prepareer voor beglazing van 10 mm 1 afstandsbus (7407), in het midden / aan de bovenkant van elke ruit A (7b.4).

Plaats elke glasruit A in het frame en verbind de verticale afdekkingen (7372) of (7373) losjes met moeren (7053).

Til ruit A 15 mm op en verbind de afdekkingen (7381) losjes onder de ruit.

N.B. - De boutjes (7050) die gebruikt zijn om de diagonale schoren in sectie 1, 2, 3 en 4a te houden, moeten op dit punt (7b.8) worden herplaatst.

Prepareer voor beglazing van 10 mm 4 afstandsbussen (7409) op elk (7319), (7320) en (7444 / 7446) (2 afstandsbussen voor elke ruit E, F en J) (7b.5) (7b.6).

Plaats ruit E, F en J.

Verbind afdekking (7442) of (7443) en daarna (7379) / (7470) of (7380) / (7471) losjes.

Opmerking - Voor polycarbonaat beglazing voert u afstandshouders (7467) in de groef in de eindkappen (7468) of (7469) afhankelijk van de dikte, 10mm = 1 (7467), 16mm = 2 (7467). De kappen (7442) en (7443) zullen deze dan onder drukt zetten waardoor de eindkappen (7468) en (7469) op hun plaats blijven zitten.

Draai alle moertjes vast. **Belast deze niet met teveel kracht bij het aandraaien.**

N.B. - De verticale afdekking kan het best worden gemonteerd als de bovenste bout het

eerst in het gat wordt geïnstalleerd, daarna de middelste en ten slotte de onderste bout. Zorg ervoor dat de afdekking contact blijft houden met het kalfje.

8a. MONTAGE ZIJRAAM

Verwijder de moeren (7053) van de bovenste twee boutbevestigingskappen (7372) in de middenbalken (7311) naast de vensteropening.

Bereid (7053) en (7399) losjes voor in het laagste gat in de zijframes (7455) en (7456) (8a.1) van de ramen.

Draai de zijframes van de ramen (7455) en (7456) op de middenbalken (7311) boven glaspaneel H (8a.2) en maak de bovenste dopmoer (7053) (8a.3) (8a.4) opnieuw vast.

Bereid (7053) en (7399) losjes voor in het onderste gat in dorpelbalk van het raam (7452). Draai ze in positie zodat ze het glaspaneel H afdekken waarbij de middelste dopmoer in het bovenste gat past aan beide kanten van (7452) (8a.5).

Maak de middelste dopmoer (7053) (8a.6) opnieuw vast.

Monteer met behulp van schroeven (7088) het raamscharnier (7419) aan de zijframes (7455) en (7456) (8a.7) van het raam. **Opmerking:** Alleen verbinden met behulp van de voorbereide lange gaten in het scharnier.

Monteer het voorbereide zijraam (zie paragraaf 5a) tussen de twee raamscharnieren (7419) met behulp van schroeven (7088).

Opmerking: Alleen verbinden met behulp van de voorbereide lange gaten in het scharnier.

Sluit het raam en controleer dat het sluit over de dorpelbalk (7452) zonder hiermee contact te maken. De raamhoogte kan worden aangepast met behulp van de lange gaten in scharnier (7419) en als deze op maat is, vastgezet worden door extra schroeven in de andere gaten te plaatsen.

Plaats raamvergrendelingen (6056) op de dorpelbalk (7452) met behulp van schroeven (7403) (8a.9).

Plaats ze door de lange gaten in de raamopener (7090) uit te lijnen als het raam gesloten is (8a.10).

Als het raam gesloten is, kan de raamopener (7090) vergrendeld worden op beide (6056) om het raam gesloten te houden (8a.10).

Opmerking - Als de borstelaafdichting (7457) in de bovenste raambalk (7450) visueel stoort als het raam gesloten is kan deze korter worden geknipt, zie details (5a.10).

Herhaal dit voor het andere raam.

8b. MONTAGE BOVENSTE RAAM

Verwijder de moeren (7053) van de twee bouten die de kappen (7440) en (7441) in de hoekbalk (7437/7438) en de middelste balk

(7439) naast de raamopening (8b.1). Draai de zijframes (7465) en (7466) naar de voorbereide bouten (8b.1) (8b.2) en verbind de moeren van de kappen (7053) (8b.3) (8b.4).

Plaats (7053) en (7399) losjes in de gaten in de dorpelbalk van het raam (7462). Draai deze op zijn plaats waarbij de kop van (7399) in de binnenkant van het boutkanaal van de horizontale balk (7444.7446) wordt gemonteerd (8b.5) (8b.6).

Monteer met behulp van schroeven (7088) het raamscharnier aan de zijframes van het raam (7465) en (7466) (8b.7) **Opmerking:** Alleen verbinden met behulp van de voorbereide lange gaten in het scharnier.

Monteer met behulp van schroeven (7088) het voorbereide zijraam (zie paragraaf 5b) tussen de twee raamschamieren (7419). **Opmerking:** Alleen verbinden met behulp van de voorbereide lange gaten in het scharnier.

Sluit het raam en zorg ervoor dat het sluit boven de dorpelbalk (7462) zonder aan te lopen. De raamhoogte kan worden aangepast met behulp van de lange gaten in het scharnier (7419 en indien juist gemonteerd door extra schroeven in de andere gaten te plaatsen.

Monteer de raamvergrendelingen (6056) met behulp van schroeven (7403) op de dorpelbalk (7462) (8b.9).

Bepaal de plaats door ze uit te lijnen met de lange gaten in de raamopener (7090) als het raam gesloten is. (8b.10).

Wanneer het raam gesloten is kan de raamopener (7090) worden vastgezet op beide (6056) als het raam gesloten is. (8b.10).

Opmerking - Als de borstelafdichting (7457) boven de topwand van (7460) uitsteekt als het raam gesloten is, kan deze worden afgeknipt, zie afbeelding (5b.10).

(11500) Herhalen voor het andere raam.

9. LAATSTE STAPPEN

Installeer kunststof voor de zijkant (7370) en (7371) in beide uiteinden van het zijkantprofiel (7324 / 7326) (9.1) (9.2).

N.B. - Het kan nuttig zijn om het zijkantprofiel aan de bovenrand voorzichtig weg te trekken van de kas zodat de opening voor de kunststof groter wordt.

Installeer een platkopbout (1412) in het boutkanaal aan de onderkant van het hoekprofiel (7310) en verbind onderdeel (1405) en (1409) aan beide kanten (9.3) met een aluminium moertje (1002). Installeer de kniebocht (1402) op de onderkant van elke pijp (1415) (9.6) en verbind deze met de kunststof van de zijkant (7370) of (7371) (9.9). Installeer de klem van de valpijp (1403) rond de valpijp en verbind deze met (1409) (9.4). Installeer schroef

(1006) om de valpijp op zijn plaats te fixeren (9.5).

Monteer deurrail (7359) in de deuropening. Verbind deze met (7444/7446) door de bouten (7052) in het boutkanaal aan de buitenkant van deze balken in te voeren en ze vast te zetten met moeren (7053) (9.7).

Installeer aan beide kanten van het deurrailprofiel (7359) een boutje (7052) aan de buitenkant en een moertje (3002) binnen de deurgeleider om te voorkomen dat de deur uit de rail (9.7) (9.8) schuift.

Plaats de deuren door de kunststof deurgeleiders (2271) in de geleider in het deurrailprofiel (7359) (9.9) (9.10a) te plaatsen en laat dan de wielen op de deurrail op profiel (7351) (9.10b) zakken. Haak de deurclips (7350) onder de lip op (7351) en draai de borgmoeren (7360) (9.10b) vast.

Monteer de kunststof moerdoppen (6070) door ze op alle zichtbare moertjes (7053) binnen de kas (9.11) te duwen.

AFWERKING

Desgewenst kan de kas aan de randen verder worden afgedicht met neutrale siliconenkit. Silicone is niet voor dit doel inbegrepen.

Plaats het waarschuwinglabel aan de binnenkant van de kas.

Controleer a.u.b. twee weken na het voltooiën van de montage of alle moertjes en boutjes vastzitten.

Er is een compleet assortiment kasaccessoires beschikbaar bij uw leverancier om dit product ten volle te benutten. Informeer a.u.b. naar de mogelijkheden.

VEILIGHEIDSREGELS

Sluit bij zware wind altijd de deuren en alle ramen.

Houd bij zware sneeuwval het dak van de kas vrij of zorg voor een goede ondersteuning van het dak. Verwarm de kas in de winter.

COMMENTAAR

Voor de gehele bescherming van uw nieuwe kas raden wij u aan om deze op te nemen in uw **opstalverzekering**. Denk er ook aan dat de kas aan alle bouwweisen moet voldoen en houd ook rekening met de plaats van de kas.

Plak alstublieft de inbegrepen sticker van het kasmodel op het deurprofiel (7353) of (7353) nadat de kas succesvol is geïnstalleerd. Deze informatie is belangrijk voor het vervangen van onderdelen in de toekomst.

Bewaar deze montage-instructies op een veil-

lige plek zodat u deze nog altijd kunt nalezen.

Ons beleid is gebaseerd op het continu verbeteren van onze producten en hierdoor behouden wij ons het recht voor om modellen te veranderen zonder verdere berichtgeving.

1. VENLIGST LÆS DENNE MONTAGEVEJLEDNING INDEN DE GÅR I GANG MED SAMLING AF DERES DRIVHUS.

- Når De arbejder med glas eller polycarbonat, skal De altid bruge handsker. Skarpe kanter kan forårsage skader. Også skarpe kanter eller hjørner på aluminiumsprofiler kan forårsage skader – brug derfor også altid handsker ved montering af disse.
 - Dette produkt er konstrueret som et drivhus beregnet til planteavl og er som sådan ikke konstrueret til at være helt tæt, da det er nødvendigt med udluftning bl.a. for at undgå kondensdannelse. Såfremt De ønsker at anvende drivhuset som et "uderum/stue" eller lignende, gør vi udtrykkeligt opmærksom på, at drivhuset ikke er 100 % vandtæt, og at vi ikke påtager os noget ansvar for eventuelle skader på løsøre el. lign., der er anbragt i drivhuset.
 - Til montage af dette produkt kræves 2 personer.
 - Ved anvendelse af trappestige bør stigen under brug sikres af en person.
 - Skulle De få problemer med drivhusmontagen eller med glasisætningen, bedes De sætte Dem i forbindelse med Deres forhandler – anvend ikke vold!
 - Drivhuset bør gøres forsvarligt fast til undergrunden.
 - Den vedlagte selvklebende identifikationsetiket anbringes indvendigt i drivhuset – f.eks. indvendig på døren eller lign. Oplysningerne på etiketten vil gøre det meget lettere for Dem at fremskaffe reservedele, såfremt dette skulle blive aktuelt.
- Vi ønsker Dem god arbejdslyst og håber, at De får rigtig mange gode stunder med og i Deres Vitavia drivhus.

MONTAGEVEJLEDNING

PLACERING

Vælg et solrigt sted, hvor der er mest muligt læ.

VIGTIGT

Før De begynder at samle Deres drivhus/ udestue, kontroller venligst efter indholdsfortegnelsen, at alle dele er medleveret. Tag de enkelte bundter ud af kassen for bedre at kunne kontrollere indholdet.

Det er vigtigt ikke at blande de åbnede bundter.

Hvis der mangler noget, kontakt venligst Deres forhandler.

Vigtigt! Den UV-bestandige side på polycarbonatpladerne er markeret med en folie. Denne side skal vende udad. Fjern folien før montage.

Det anbefales at anvende den medfølgende tube silikone til at tætnes drivhuset yderligere. Det er vist i illustration (4b.7), (4b.8), (7a.6) og (7a.8), hvor silikonen skal anvendes. Bemærk: Ved illustration (7a.6) og (7a.8) skal der lægges en silikonestreg i hele profilens længderetning.

NØDVENDIGT VÆRKTØJ

Skruetrækker (stjerne PH2 og PZ2)

Akkuboremaskine med moment

Gummihammer

1x10 mm fastnøgle.

1x10 mm gaffelnøgle

1 målebånd/tommestok

1 vinkel

1 vaterpas

1 hobbykniv

1 skævbider

2 trappestiger 1,80 m.

VEDLIGEHOLEDSE

Drivhuset bør lejlighedsvis rengøres grundigt med et mildt rengøringsmiddel. Glasset kan rengøres med et hvilket som helst rengøringsmiddel, der ikke skader aluminiumsprofiler eller kunststof.

Dørskinnerne bør regelmæssigt rengøres og smøres med stearin/grafitolie.

0. FUNDAMENT

Vigtigt! Anvend en stor vinkel og et vaterpas til at kontrollere, at soklen er vandret, og alle vinkler skal være 90°. Dette kan også kontrolleres ved at krydsmålene er ens som vist på tegning 0.

Vi anbefaler, at drivhuset anbringes på et solidt fundament.

Ønsker De selv at bygge et sten- eller betonfundament, følg da dimensionerne, som er vist i afsnit 0. Materialer til dette indgår ikke i leverancen.

Det viste fundament giver mulighed for at placere dobbeltskydedøren i en af de to gavle eller i fronten af drivhuset.

Ved støbning af fundament bør dette gå ned i frostfri dybde. Derved reduceres risikoen for, at der opstår skader på huset som følge af frostpåvirkninger af jorden.

NB! Støbning/fastgørelse til undergrunden er i mange tilfælde et krav fra forsikringsselskaber for at opnå forsikringsdækning på drivhuset. Vi anbefaler, at De kontakter Deres forsikringsselskab for at høre om reglerne, der er gældende hos Deres selskab.

Alle tegninger af drivhuset er set indefra, undtagen de tegninger, hvor der er dobbeltstreg udenom. Disse er set udefra.

1. FRONT

NB!: Hvis døren skal placeres i husets front, skal De undlade at montere en af de lodrette profiler (7311) markeret med ①.

Klem tætningsliste (7396) fast på bundlisten/ dørtrinnet (7304 / 7306) og tilpas længden i begge ender med en hobbykniv, se (1.1) og (1.2).

I henhold til modeltegningerne 8600/11500 og 11900 placeres delene til den aktuelle model på jorden og boltes løst sammen ved at anbringe bolte (7052) i profilsporene som vist på (1.3).

Sørg omhyggeligt for, at vinklerne på tagremmen (7314 / 7316) placeres korrekt i hjørnerne på begge hjørnestolper (7310), se (1.3) og (1.4), og at hjørnestolperne (7310) og midterprofilerne (7311) støder an mod monteringsflangen på tagremmen, som vist i den stiplede cirkel på (1.9) og (1.12).

Fastgør skråstiverne (7312) på begge sider, se (1.3), (1.4), (1.10) og (1.11). Skråstiverne monteres løst til bundskinnen med bolt (7050). Bolt (7050) skal fjernes, når glasset sættes i (sektion 7b).

2. GAVL L

NB!: Hvis døren ønskes placeret i denne side, skal De undlade at montere den midterste sideprofil (7311) markeret med ①.

Klem tætningsliste (7396) fast på bundlisten (7304) og tilpas længden i begge ender med en hobbykniv (2.1) og (2.2).

Placer alle delene på jorden og bolt dem løst sammen ved at anbringe bolte (7052) i profilsporene som vist på (1.3). Overligger (7319) skubbes ind i udklinkningen på murprofil (7437) og fastspændes med bolt (7052) og møtrik (7053), se (2.3) og (2.4). Bundprofil (7304) fastgøres til hjørnestolpe

(7437) med bolt 7052) og møtrik (7053), se (2.5) og (2.6).
Monter de midterste lodrette profiler (7311), se (2.7) og (2.8).

Fastgør skråstiverne (7312), se (2.3), (2.4), (2.9) og (2.10). Skråstiverne monteres løst til bundskinnen med bolt (7050). Bolt (7050) skal fjernes, når glasset sættes i (sektion 7b).

3. GAVL R

NB! Hvis døren ønskes placeret i modsatte gavl eller i fronten, skal den midterste sideprofil (7311) markeret med ① monteres i denne side ②b.

Saml alle dele som beskrevet under sektion 2.

4a. SAMLING OG MONTERING AF ELEMENTERNE

Klem tætningsliste (7396) fast på bundlisten/dørtrinnet (7304 / 7306) og tilpas længden i begge ender med en hobbykniv, se (4a.1) og (4a.2).

For at samle de tidligere forberedte sideelementer monteres løst bolte (7399) og møtrikker (7053) i bundlister (7304) som vist i (4a.3). Monter hjørnestolper (7310) ved at lade profilsporene på (7310) glide ned over hovederne på bolte (7052) som vist på (4a.4).

Fastgør skråstiverne (7312) på begge sider, se (4a.5). Skråstiverne monteres løst til bundskinnen med bolt (7050). Bolt (7050) skal fjernes, når glasset sættes i (sektion 7b).

Forbind overligger (7319) og (7320) med hjørnestolperne ved hjælp af bolte (7399) og møtrikker (7053) således, at de støder an mod tagremmen i fronten (4a.6) (4a.7).

Monter løst bolte (7399) og møtrikker (7053) i bundskinnerne (7304 / 7306) som vist i (4a.3).

Sænk hjørnestolper (7437/7438) så de glider ned over hovederne på bolte (7052) i sporene på (7437 / 7438) som vist på (4a.4).

Monter frontrem (7444 / 7445) i udlinkningen på hjørnestolperne (7337 / 7438) ved hjælp af bolte (7399) og møtrikker (7053), se (4a.8) og (4a.9).

Monter bagremmen (7434 / 7436) på hjørnestolpe (7437 / 7438), se (4a.10) og (4a.11).

Monter skråstivere (7312) i fronten. Monter kun løst til bundskinnen ved hjælp af bolt (7050). Bolt (7050) skal fjernes igen, når glassene skal isættes (afsnit 7b).

Anbring det samlede stel på det forberedte fundament. Kontroller at stellet er i lod og vater og bor Ø6 huller gennem de forberede huller i (7304) og (7306). Anbring murpløkker (7421) i de borede huller og spænd stellet løst fast

til fundamentet og muren ved hjælp af skruer (7411), se (4a.12).

4b. TAG

Monter løst de mellemste sideprofiler (7311) mellem bundprofil (7304 / 7306) og den vandrette rem (7444 / 7445), se (4b.1) og (4b.2).

Monter løst mellemp profiler (7439) mellem overligger (7434 / 7436) og rem (7444 / 7446), se (4b.2).

Monter taghjørneprofilerne (7432) (7433) oven på tagremsvinklen (4b.3) (4b.4). Sørg for, at taghjørneprofilerne sidder korrekt og støder an mod forhøjningen yderst på tagremmen (4b.9) og at de små huller på ydersiden af gavlprofil (7432/7433) er ved husets front (4b.3).

Forbind taghjørneprofilerne (7432) (7433) med tagrem (7334-7337) og med forreste hjørnestolper (7437 / 7438) ved hjælp af beslag (7348), se (4b.5).

Monter bolt (7052) i sporet på de mellemste tagprofiler (7426) ved forreste tagrem og sænk dem ned og fastgør dem på tagremmen ved hjælp af skive (7395) og møtrik (7053), se (4b.7) og (4b.8). **NB!** Bemærk brug af silikone som tætning, se (4b.7) og (4b.8)

Sørg for, at profil (7426) sidder korrekt og støder an mod forhøjningen yderst på tagremmen (4b.9) og at det lille hul på ydersiden af (7426) er ved husets front.

Monter bolt (7052) i sporet på (7426) ved bagerste tagrem og forbind med tagremmen (7434 / 7436), se (4b.10).

Justér stellet indtil det er retvinklet og i lod og vater og spænd alle skruer (7411) og (7412) og møtrikker (7053). **Undgå at overspænde!**

Monter afstivere (7331) mellem de mellemste sideprofiler (7311) og de mellemste tagprofiler (7426) ved hjælp af bolte med tilfillede hoveder (7399), se (4b.11) og (4b.12).

5a. SIDEVINDUER

Saml vinduets bundprofil (7451) med de to sideprofiler (7453) og (7454), se (5a.2) og (5a.3).

Lad glas D glide ind i sporene (5a.5) på de samlede dele (5a.4) (5a.5).

Sæt bolt (7052) og møtrik (7053) løst i vinduets topprofil (7450) og pres topprofilen ned over sideprofilerne (7453) og (7454), således at bolthovederne glider ind i boltsporene, og glaspladen glider ind i sporene til glas, som vist i (5a.6) og (5a.7).

Tilskær glasliste (7420) og pres denne ind i glassporene på vinduets inderside for at holde glasset på plads (5a.8) (5a.9).

Sørg for, at alle vinkler er rette, inden møtrikkerne i vinduet spændes.

Spænd møtrikkerne – men uden at over-

spænde!

Skub tætningsliste (7457) ind i sporet på topprofil (7450) og sideprofilerne (7453) og (7454), se (5a.10) og skær overskydende tætningsliste af med en hobbykniv.

NB! Hvis tætningsliste (7457) er for synlig, når vinduet lukkes (se afsnit 8a), kan den trimmes kortere med en saks (5a.10).

Monter udskyderstangen (7090) på vinduets bundprofil (7451) ved hjælp af afstandsplade (7413) og to skruer (7349), se (5a.11) og (5a.12).

Sæt plastic dækpropper (6070) på alle møtrikker (7053), se (5a.13).

5b. VINDUER

Saml alle dele som beskrevet under sektion 5a.

6a. SKYDEDØRE

Skub tætningsliste (børste) (7332) ind i sporet på dørprofilerne (7352), (7353), (7355), (7356) og (7357), se (6a.2) og tilpas tætningslisterne i længden.

Anbring en afstandsbojsning (7392) på hver side af dørhullet (7392). Monter derefter dørhjul (7364) løst på den nederste dørprofil (7355) ved hjælp af bolt (7393), vinkelbeslag (7350) og låsemøtrik (7360) (6a.3). Spænd nederste dørprofil (7355) sammen med inderste lodrette dørprofil (7357) eller (7358), se (6a.3) og (6a.7a).

Monter låsedelene (7400), (7401) og (7402) på mellemste dørprofil (7354) eller (7384) ved hjælp af bolte (7404). Monter midterste dørprofil på den lodrette dørprofil (7357) eller (7358) ved hjælp af bolte (7052), møtrikker (7053) og bolte (7405), se (6a.4), (6a.5) og (6a.8).

Spænd bolte (7404) og (7405) – men uden at overspænde!

Øverste vandrette dørprofil (7352) eller (7353) boltes på de inderste dørprofiler (7357) eller (7358), se (6a.6) og (6a.7b).

Lad glas/polycarbonatplade G glide ind i sporene på de samlede dørprofiler (6a.9).

Når yderste dørprofil (7356) skal monteres, gøres dette lettest, når de allerede samlede dele vendes som vist på (6a.9). Monter løst bolt (7052) og møtrik (7053) i yderste dørprofil (7356) og lad (7356) glide ned over (7355) og (7354) eller (7384) og (7353) således at bolthovederne kører i boltsporet og glasset glider i glassporet som vist i ((6a.9) og (6a.10)). Monter dørstyr (2271) øverst i begge døre, se (6a.6).

NB! Tilskær glasliste/gummiliste (7420) og klem denne ned i mellemrummet i glassspo-

rene på dørglassenes inderside for at fiksere glasset, se (6a.11).

6b. DØRRAMME OG DØRTRIN

Monter dørstøtte (7362) på bundskinn (7302) ved hjælp af bolte (7390), se (6b.1) og (6b.2).

Vip hjulskinnen (7351) så den griber fat i profileringen på bundskinnen (7302) og sænk den ned på plads (6b.3). Centrér i forhold til døråbningen og fastgør til fundamentet ved hjælp af murpløk (2003) og skrue (2002), se (6b.4).

Anbring siderne af dørrammen (7361) på de mellemste sideprofiler (7311). Derefter fastgøres dørrammen til tværligger (7444 / 7446) ved hjælp af bolt (7052) og møtrik (7053), se (6b.5) – (6b.8).

For neden anbringes en bolt (7052) i sporet på begge sider af dørtrinnet (7363), se (6b.9) og skub dørtrinnet på plads (6b.10) og (6b.11).

7. GLASPLAN – OVERSIGT

Sorter glas og polycarbonat i overensstemmelse med modelstørrelse og valg af dækmateriale før isætning af glas/polycarbonat påbegyndes.

Vigtigt! Den UV-beständige side på polycarbonatpladerne er markeret med en folie. Denne side skal vende udad. Løsn de yderste ca. 2 cm hele vejen rundt, så folien let kan fjernes efter isætning. De skal lade folien sidde under montering, da det ellers er umuligt at afgøre med det blotte øje, om pladen vender den rigtige side udad. Fjern folien, når alle plader er sat i.

7a. MONTERING AF POLYCARBONAT I TAGET

NB! BEMÆRK VENLIGST OVENNÆVNTE SIKKERHEDSFORANSTALTNINGER.

Skub polycarbonatpladerne til taget ind i sporene på tagpladerne (7a.2) og (7a.3). Når to tilstødende plader er på plads, monteres tagpladestop (7342) eller (7343) på tagprofilen imellem dem ved isætte de selvskærende skrue (7349) i de forberedte huller, se (7a.4) og (7a.5). Polycarbonatpladerne skal glide ned og have anslag mod tagpladestopperne.

Vip tagafslutningsprofilen (7324 / 7326) så den hængsler på tagremmen (7a.6) og vip den ned, så den støder an mod tagremmen. **NB!** Bemærk brug af silikone som tætning ved illustration (7a.6) og (7a.8). **Der skal lægges en silikonestreng i hele profilens længde.** Spænd derefter (7324 / 7326) fast på tagremmen ved hjælp af bolte (7052) udvendigt fra og møtrikker (7053) indvendigt fra (7a.7).

Spænd den fast på tagremmen ved hjælp af bolte (7052) udvendigt fra og møtrikker (7053) indvendigt fra (7a.7).

Anbring afstandsstykke (7424) på den indvendige kant på tagremmen (7a.9) og anbring afstandsstykke (7425) på den indvendige kant af murremmen (7a.10). Ved murremmen fastgøres afstandsstykke (7425) med skrue (7349), se (7a.10).

7b. MONTERING AF GLAS I SIDERNE

Inden næste skridt tages, skal det besluttes i hvilke felter, de tre ventilationsvinduer skal sidde.

NB! Vinduerne kan ikke anbringes i et felt, der grænser op til et hjørne eller til dørpartiet.

I de felter, hvor der anbringes et vindue, monteres glas H i stedet for glas A.

Tryk tætningsliste (7382) fast på hver af de lodrette sideprofiler (7381) som vist i cirklen og skær til med en hobbykniv i begge ender.

Tryk glasliste (6090) fast på aluminiumsprofilerne (7b.2). Tilpas længden på glaslisten med en hobbykniv.

NB! Det anbefales ikke at lade glaslisten gå helt ud til siderne på de vandrette profiler, derved opnås større luftcirkulation med mindre kondensdannelse til følge.

OBS! Såfremt De har valgt en model med polycarbonatbeklædning skal der ikke anvendes glaslister.

Hovedet på bolt (7050) kan skubbes ind i tre forskellige spor på dæklisterne som vist på (7b.2). Dette giver mulighed for at anvende enten 3 mm glas, 4 mm glas, 10 mm og 16 mm polycarbonatplader som dækmateriale (7b.3).

Ved 10 mm plader anbringes 1 afstandsstykke (7407) foroven i midten af hver plade type A (7b.4).

Anbring alle plader type A og H i stellet og monter løst de lodrette dæklister (7372) eller (7373) løst med bolte (7053).

Løft rude A og H 15 mm så der er plads til at skubbe dæklisterne ind i styresporene på bundlisten og forbind derefter løst dæklisterne (7381) under ruden.

NB! Boltene (7050), der anvendtes til at fastgøre skråstiverne i afsnit 1, 2, 3 og 4a, skal udskiftes på dette trin (7b.8).

Ved 10 mm plader anbringes 4 afstandsstykker (7409) på overligger (7319), (7320) og (7444 / 7446) – 2 afstandsstykker til hver rude E, F og J, se (7b.5) og (7b.6).

Isæt rude E, F og J.

Forbind løst dæklister (7442) og (7443) og derefter (7379) / (7470) eller (7380) / (7471).

Spænd alle møtrikker – men uden at overspænde!

Tip: Det er lettest at montere de lodrette dæklister, hvis man starter med skubbe den øverste bolt gennem hullet og derefter den midterste og endelig den nederste. Sørg for, at dæklisten slutter tæt mod bundlisten.

8a. SAMLING AF SIDEVINDUER

Fjern møtrik (7053) fra de to øverste bolte, der holder dæklisterne (7372) på mellemprofilerne (7311) ved siden af vinduesåbningen.

Klargør (7053) og (7399) i det nederste hul i vinduets sideprofiler (7455) og (7456), se (8a.1).

Drej vinduets sideprofiler (7455) og (7456) mod mellemprofilerne (7311) oven over glasstykke H (8a.2) og genmonter møtrikkerne (7053), der holder dæklisterne (8a.3) (8a.4).

Klargør løst (7053) og (7399) i det nederste hul i vindueskarmen (7452). Drej denne, så den dækker glasstykke H således, at den mellemste bolt fra dæklisten rammer det øverste hul på begge sider af (7452), se (8a.5). Genmonter den mellemste dæklistemøtrik (7053), (8a.6).

Anvend skrue (7088) til at fastgøre vindueshængsel (7419) på vinduets sideprofiler (7455) og (7456), (8a.7).

NB! Det er vigtigt kun at anvende de forberedte huller i hængslet.

Monter det forsamlede sidevindue (se afsnit 5a) mellem de to vindueshængsler (7419) ved hjælp af skrue (7088).

NB! Anvend kun de forstansede huller i hængslet.

Luk vinduet og sørg for, at det lukker over vindueskarmen (7452) uden at røre denne. Vinduet kan højdejusteres ved at anvende de aflange huller i hængslet (7419). Når vinduet er i korrekt position monteres skrue i de øvrige huller.

Monter vinduespløkker (6056) på underkarmen (7452) ved hjælp af skrue (7403), (8a.9). Placeringen findes ved lukke vinduet (8a.10) og markere de aflange huller på udskyderstangen (7090). Når vinduet er lukket kan udskyderstangen (7090) haspes på begge pløkker (6056) og holde vinduet fastlukket (8a.10).

NB! Hvis tætningsliste (7457) er for synlig, når vinduet lukkes, kan den trimmes kortere med en saks, se detaljetegning (5a.10).

Gentages for det andet vindue.

8b. SAMLING AF VINDUER OVER DØRENE

Fjern møtrik (7053) fra de to øverste bolte, der holder dæklisterne (7440) og (7441) på hjørneprofilerne (7437 / 7438) og på mellemprofilerne (7439) ved siden af vinduesåbningen, se (8a.1).

Drej vinduets sideprofiler (7465) og (7466) så de passer på de klargjorte bolte (8b.1) (8b.2) og genmonter møtrikker (7053), se (8b.3) (8b.4).

Monter løst (7053) og (7399) i hulleerne i vindueskarmen (7462). Drej den på plads, så hovedet på (7399) passer ind i sporet på den vandrette profil (7444 / 7446), se (8b.) (8b.6).

Ved hjælp af skruer (7088) monteres vindueshængsel (7419) på vinduets siderammer (7465) og (7466), se (8b.7).

NB! Benyt kun de forstansede huller i hængslet. Monter det forsamlede sidevindue (se afsnit 5b) mellem de to vindueshængsler (7419) ved hjælp af skruer (7088).

NB! Anvend kun de forstansede huller i hængslet.

Luk vinduet og sørg for, at det lukker hen over vindueskarmen (7462) uden at røre denne. Vindueshøjden kan justeres ved at bruge de aflange huller i hængslet (7419). Når placeringen er korrekt fastgøres det ved hjælp af ekstra skruer i de andre huller.

Monter vinduespløkkerne (6056) på vindueskarmen (7462) ved hjælp af skruer (7403), se (8b.9). Placer dem, så de passer ind i de aflange huller i udskyderstangen (7090), når vinduet er lukket, se (8b.10). Ved at lade udskyderstangen (7090) glide ned over begge vinduespløkker, kan udskyderstangen holde vinduet lukket, (8b.10).

NB! Hvis tætningslisten (7457) er for lang og stikker ud foroven på (7460), kan den tilpasses i længden med en saks eller en hobbykniv.

(11500) Gentages for det andet vindue.

9. SIDSTE TRIN

Skub plastic studs til nedløbsrør (7370) og (7371) ind i begge ender af tagrenden (7324 / 7326), se (9.1) (9.2).

Tip: Det kan være en hjælp forsigtigt at trække tagrendeprofilen lidt væk fra huset, så åbningen til indpresning af studsen til nedløbsrøret bliver større.

Indsæt en bolt med tilfilet hovede (1412) i bunden af boltsporet i hjørnestolpe (7310) og monter bøsning (1405) og beslag (1409) med møtrik (1002), se (9.3).

Klem bøjning (1402) fast på nederste del af nedløbsrøret (1415), se (9.6), og klem derefter røret op omkring studsen til nedløbsrøret (7370) eller (7371), se (9.9).

Klem beslag (1403) fast rundt om nedløbsrøret og pres derefter (1403) således, at klembeslaget får greb i flangen på beslag (1409), se (9.4).

Isæt skrue (1006) til fastholdelse af nedløbsrøret, se (9.5).

Monter dørskinden (7359) over døråbningen. Dørskinden monteres på overligger (7444 /

7446) ved at anbringe bolte (7052) i boltsporet på ydersiden af overliggerne og spænde sammen med møtrikker (7053), se (9.7).

For at undgå, at dørene kører ud af dørskinden (7359), monteres udvendigt en bolt (7352) og indvendigt en møtrik (3002) i dørstyret, se (9.7) og (9.8).

Løft dørene på plads, således at plastic dørstyrene (2271) går ind i sporet på dørskinden (7359), se (9.9) og (9.10a). Sænk derefter døren, således at dørhjulet (7364) glider ned over vulsten på dørskinden (7351), se (9.10b).

Klem vinkelbeslag (7350) fast under den lille flange på vulsten på dørskinden (7351) og stram låsemøtrikkerne (7360), se (9.10b).

Sæt plasticdækpropper (6070) på alle synlige møtrikker (7053) inde i drivhuset (9.11).

FÆRDIGGØRELSE

Hvis De ønsker at tætte hjørner og samlinger kan dette gøres med silikone (ikke inkluderet). Vær dog opmærksom på, at jo tættere huset er, jo mere kondens vil der blive dannet.

Den vedlagte selvløbende identifikationsetiket kan med fordel anbringes indvendigt i drivhuset – f.eks. indvendigt på (7352) eller (7353) eller lign. Oplysningerne på etiketten vil gøre det meget lettere for Dem at fremskaffe reservedele, såfremt dette skulle blive aktuelt.

Ca. 2 uger efter færdiggørelse kontrolleres det, at alle møtrikker er spændt korrekt.

SIKKERHEDSANVISNING

Brug arbejdshandsker, da nogle af delene kan have skarpe kanter. Ligeledes bør sikkerhedshjelm og sikkerhedsbriller anvendes under montagen.

I tilfælde af stærk blæst eller storm: Luk alle oplukkede vinduer og døre, afmonter om nødvendigt eventuelle automatiske vinduesåbnere. Se endvidere vor hjemmeside www.vitavia.dk, hvor De finder gode råd til forebyggelse af stormskader.

I tilfælde af stormskade kan der være mange glasstumper, som skal fjernes med stor forsigtighed for at undgå personskader.

I tilfælde af kraftigt snefald: Ryd drivhusets tag for sne og træf passende foranstaltninger til at understøtte taget f.eks. med en stolpe el. lign.

ANMÆRKNINGER

Vi anbefaler, at De sørger for, at Deres husfor-

sikring også dækker Deres drivhus.

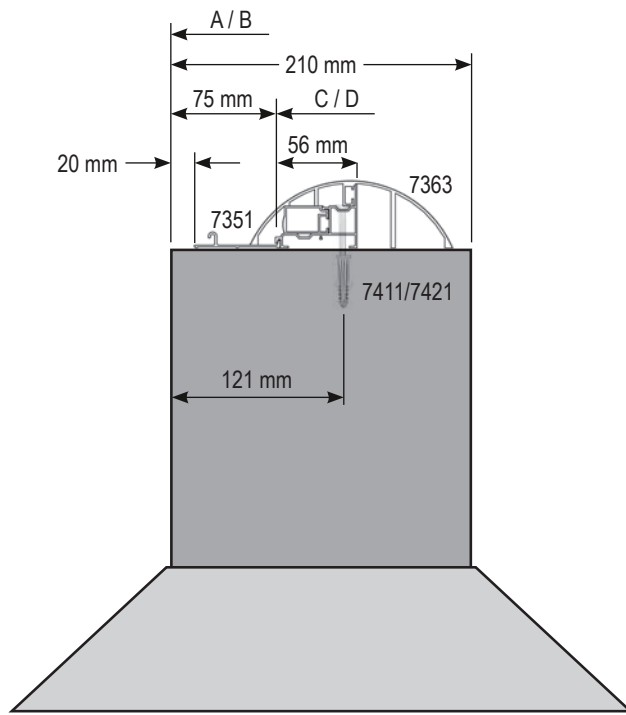
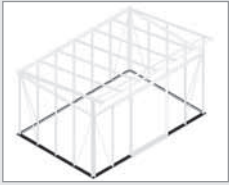
Overhold alle byggevedtægter. Kontakt Teknisk Forvaltning i Deres kommune, hvis De er i tvivl.

Vi forbeholder os ret til uden varsel at foretage løbende produktjusteringer. På vor hjemmeside www.vitavia.dk vil De altid kunne downloade den nyeste manual, som derfor kan afvige lidt fra Deres produkt. Manualens udgave kan identificeres ved hjælp af den talkode, der er trykt nederst på hver side i manualen. På hjemmesiden kan De også læse mere om vort store udvalg i tilbehørsartikler.

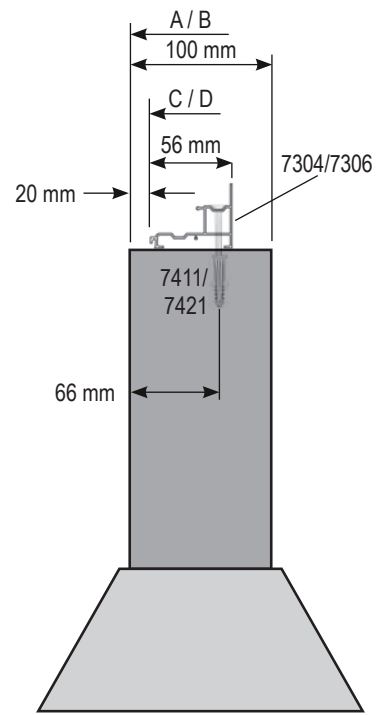
Alle målangivelser er ca.-mål.

Typebetegnelsen skal De bruge ved bestilling af evt. reservedele, så venligst opbevar montagevejledningen til senere brug.

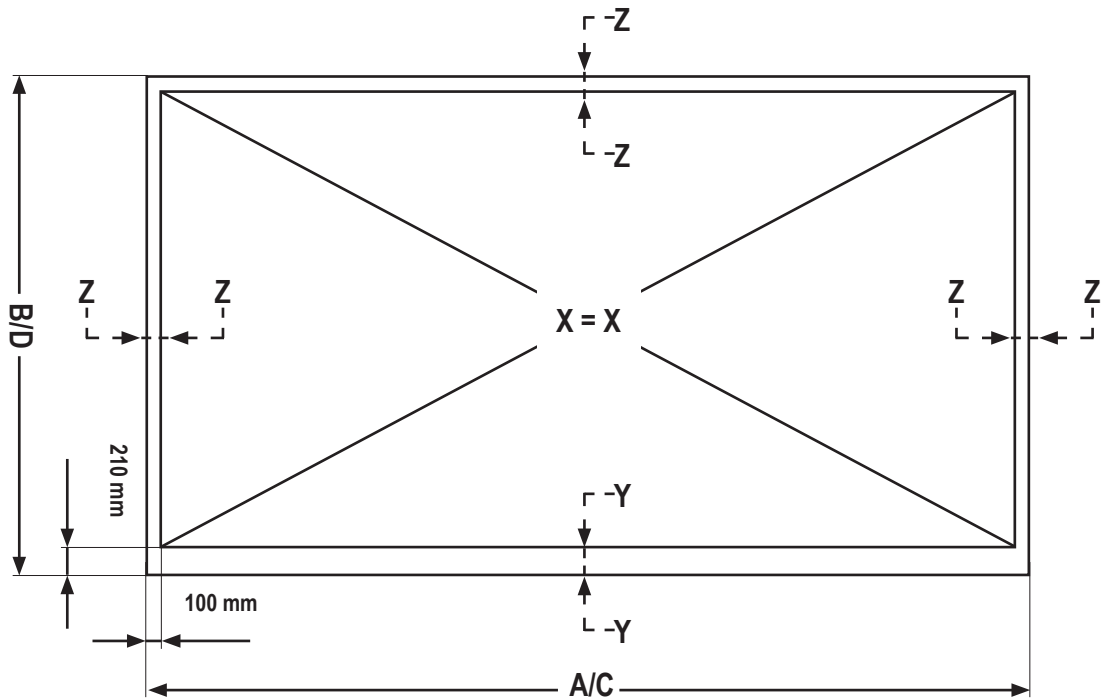
Vi ønsker Dem god arbejdslyst og håber, at De får rigtig mange gode stunder med og i Deres Vitavia drivhus.



Y - Y



Z - Z



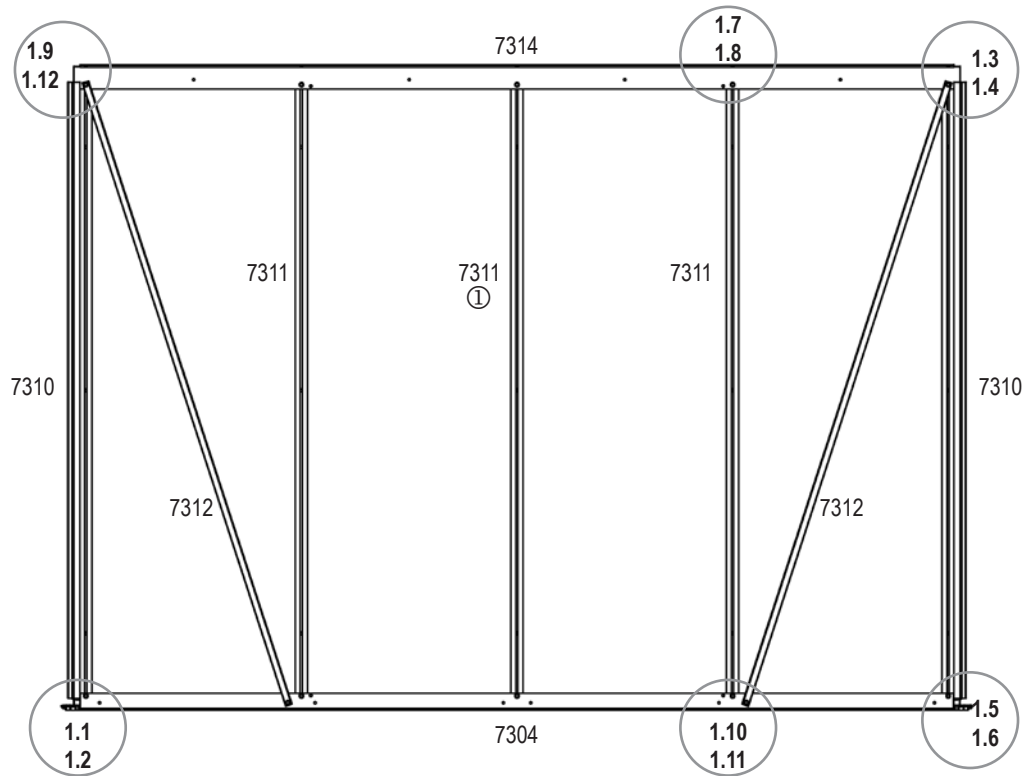
	7800	11500
A	2699 mm	3957 mm
B	2754 mm	2754 mm
C	2659 mm	3917 mm
D	2659 mm	2659 mm

VM0042-A

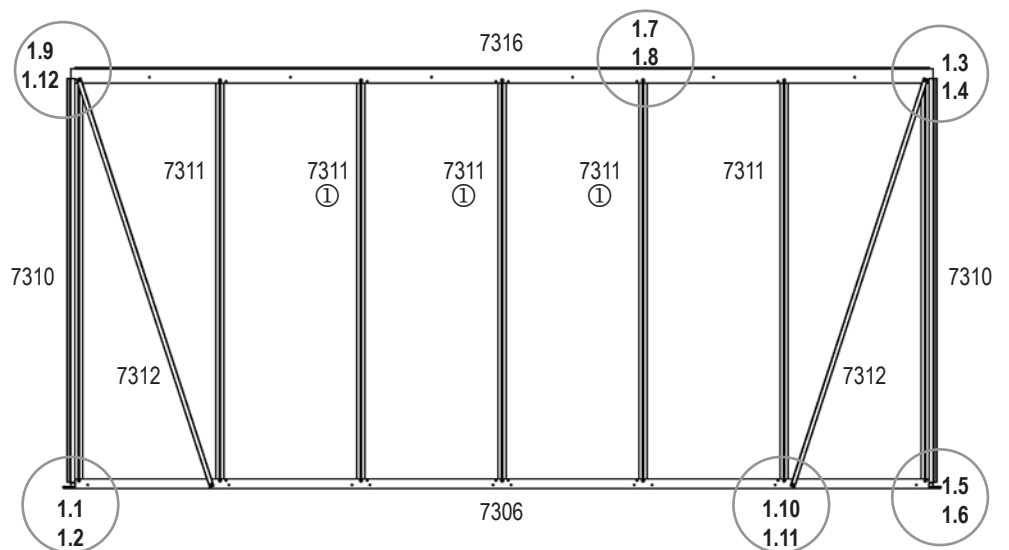
1



7800



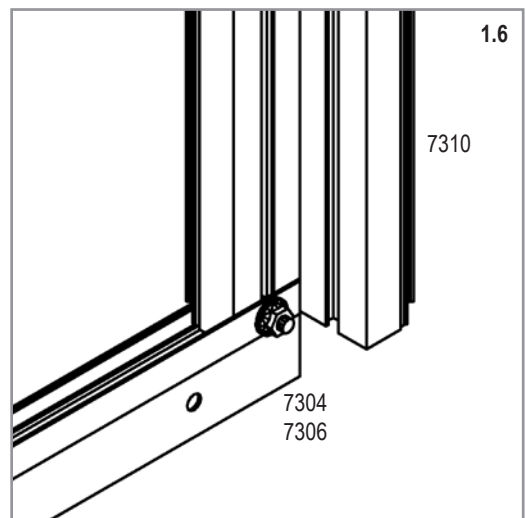
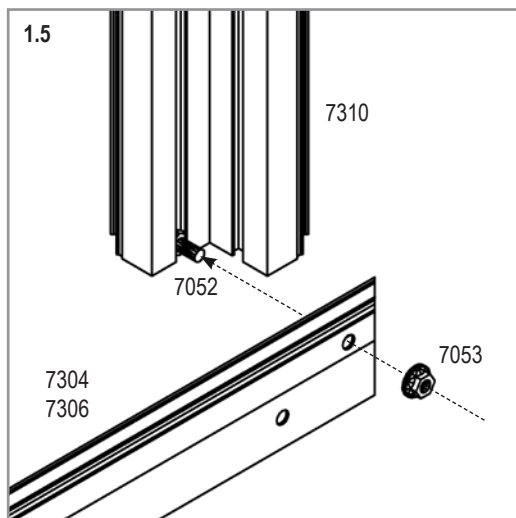
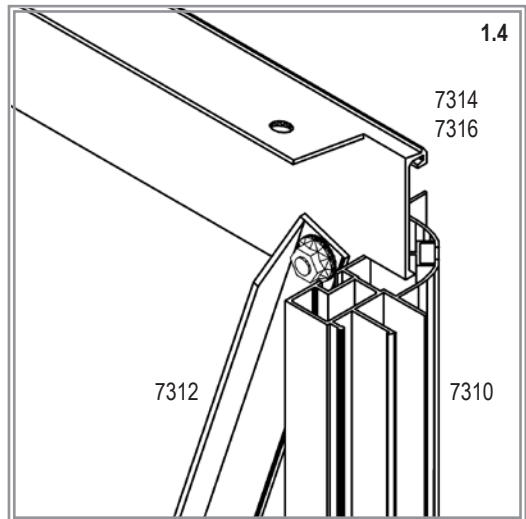
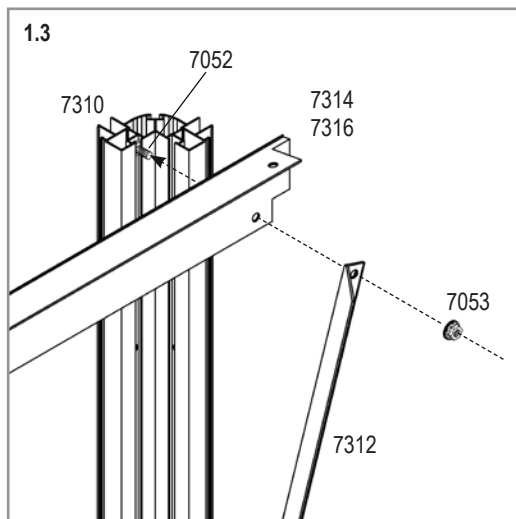
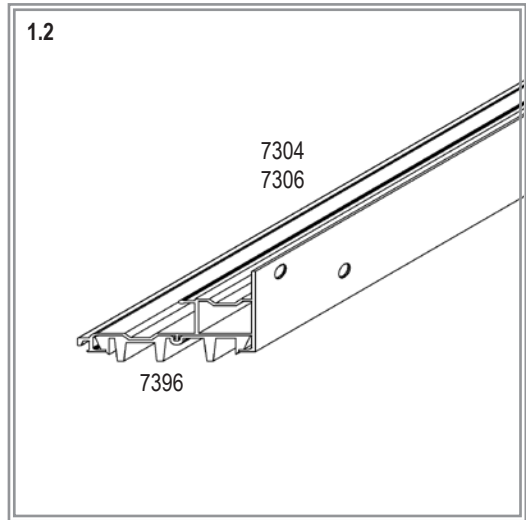
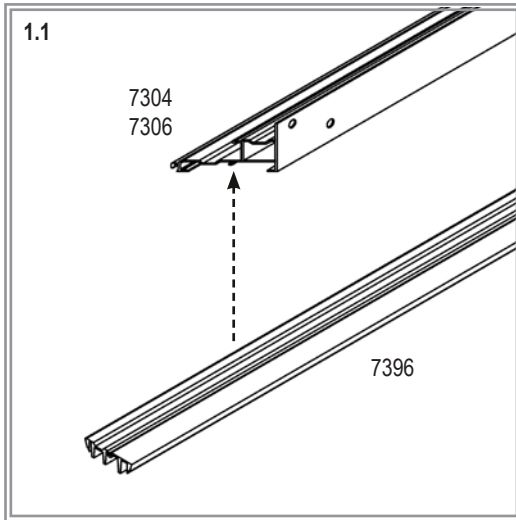
11500



7800	11500
7050	
2x	2x
7052	
10x	14x
7053	
12x	16x
7304	7306
1x	1x
7310	
2x	2x
7311	
3x	5x
7312	
2x	2x
7314	7316
1x	1x
7396	
1x	1x

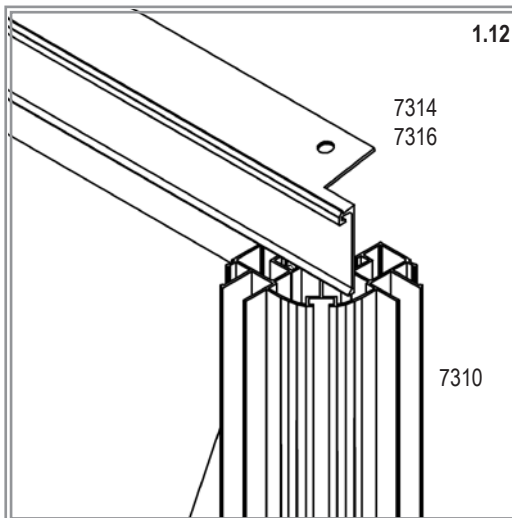
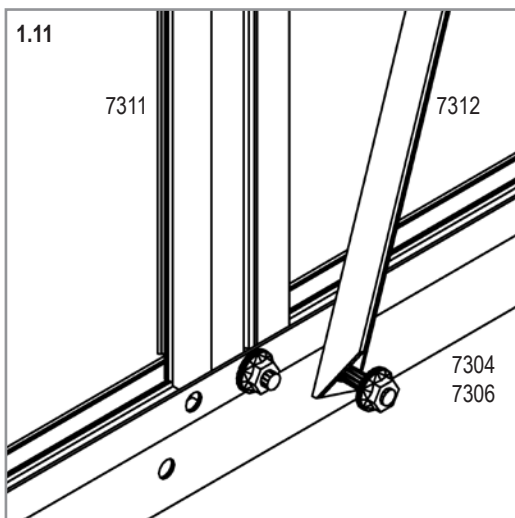
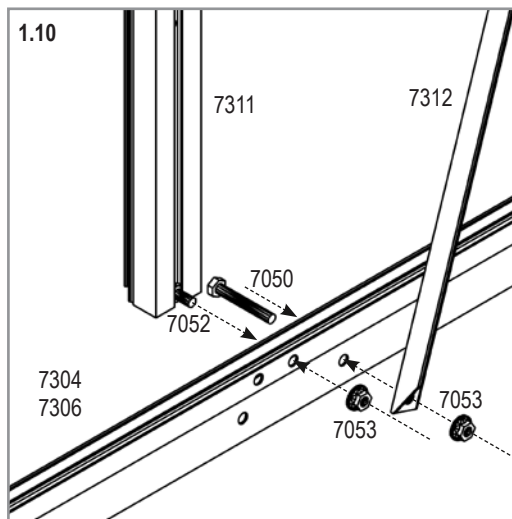
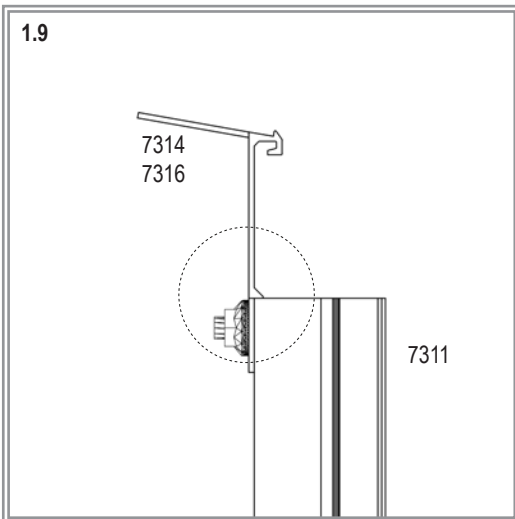
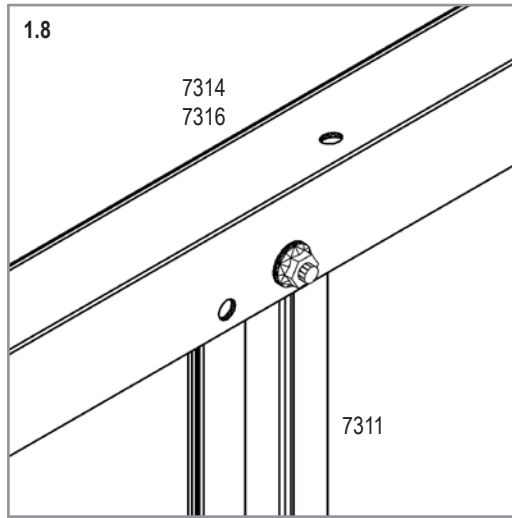
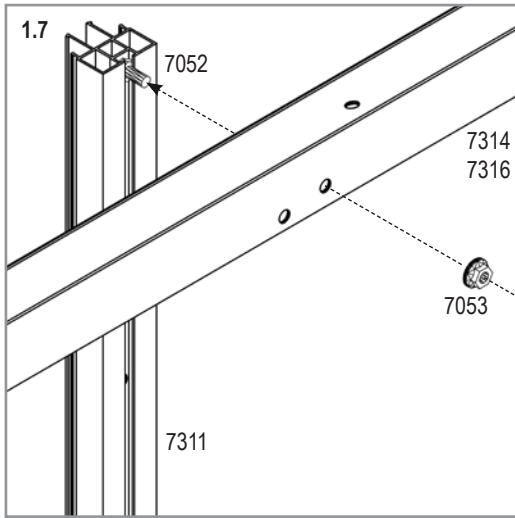
VM0042-A

1



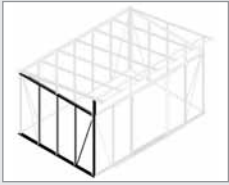
VM0042-A

1



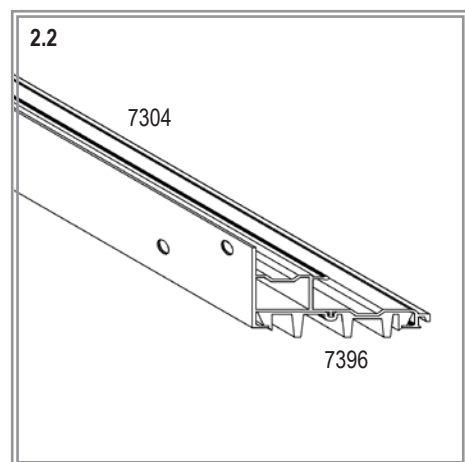
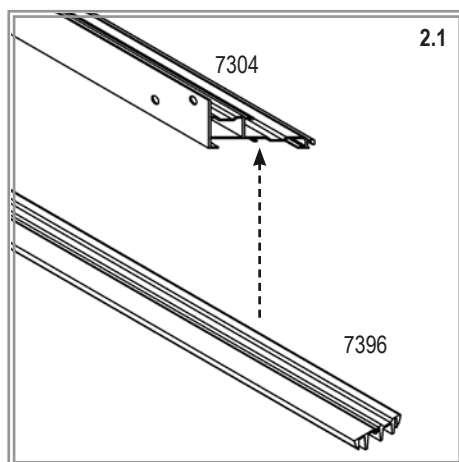
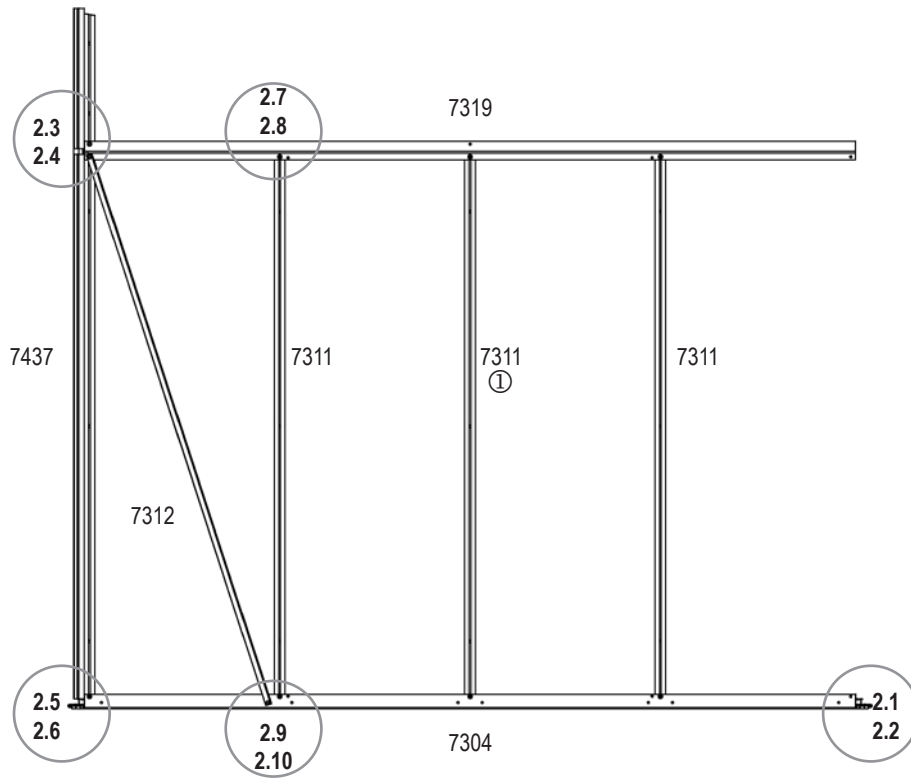
VM0042-A

2



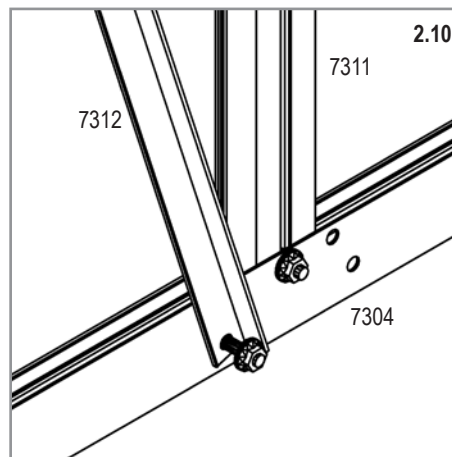
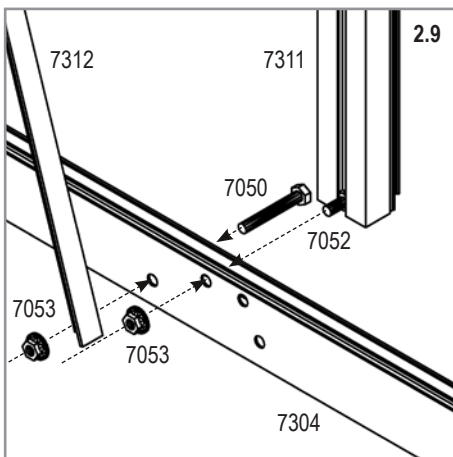
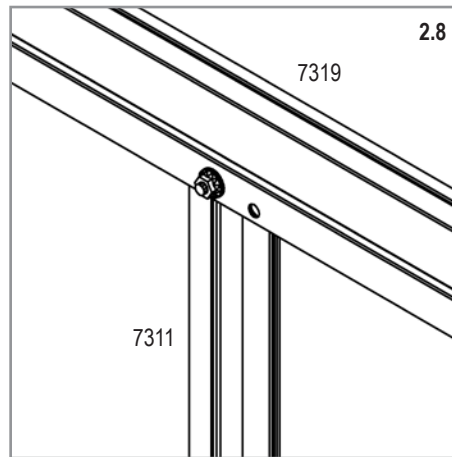
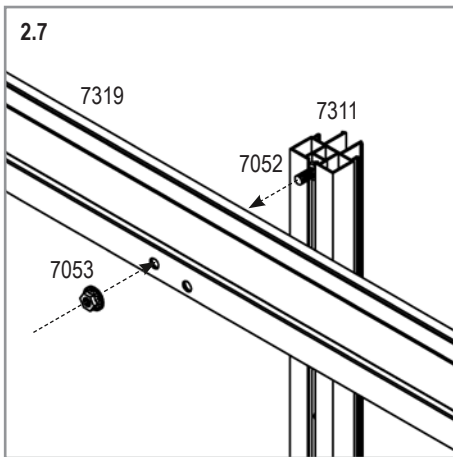
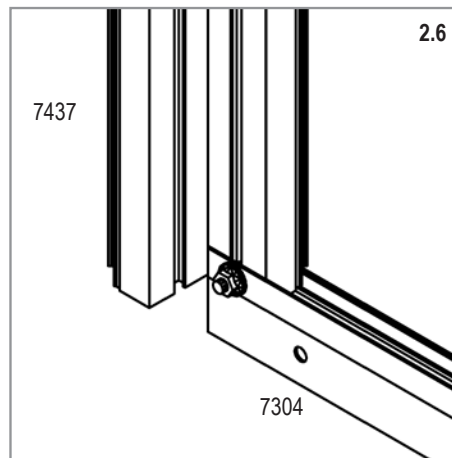
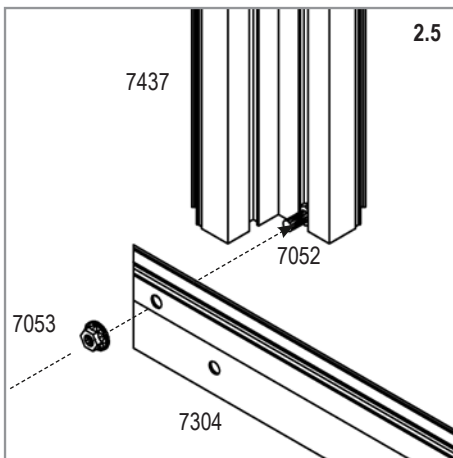
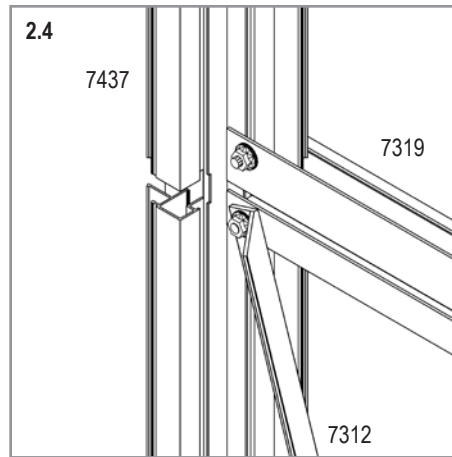
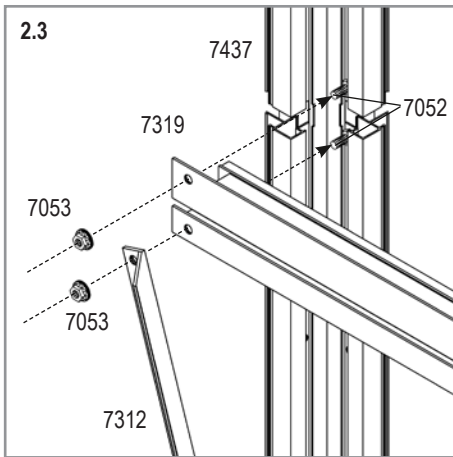
All Models

7050 1x	
7052 9x	
7053 10x	
7304 1x	
7311 3x	
7312 1x	
7319 1x	
7396 1x	
7437 1x	



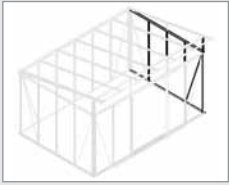
VM0042-A

2



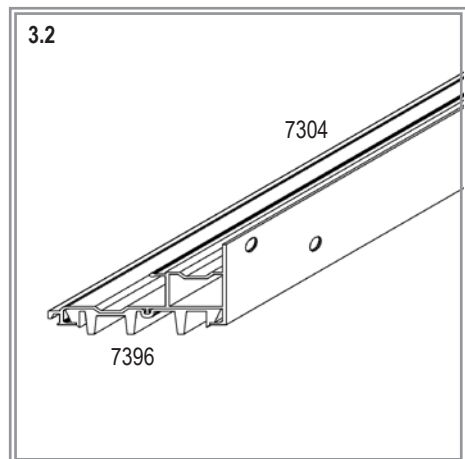
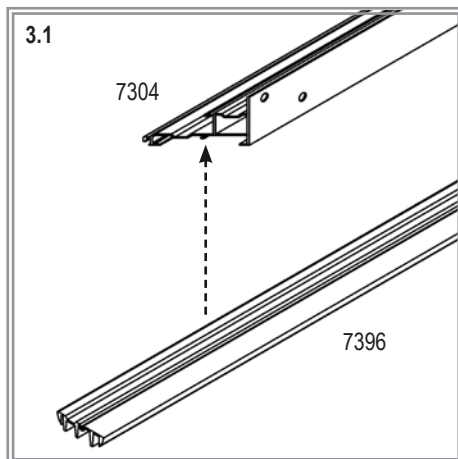
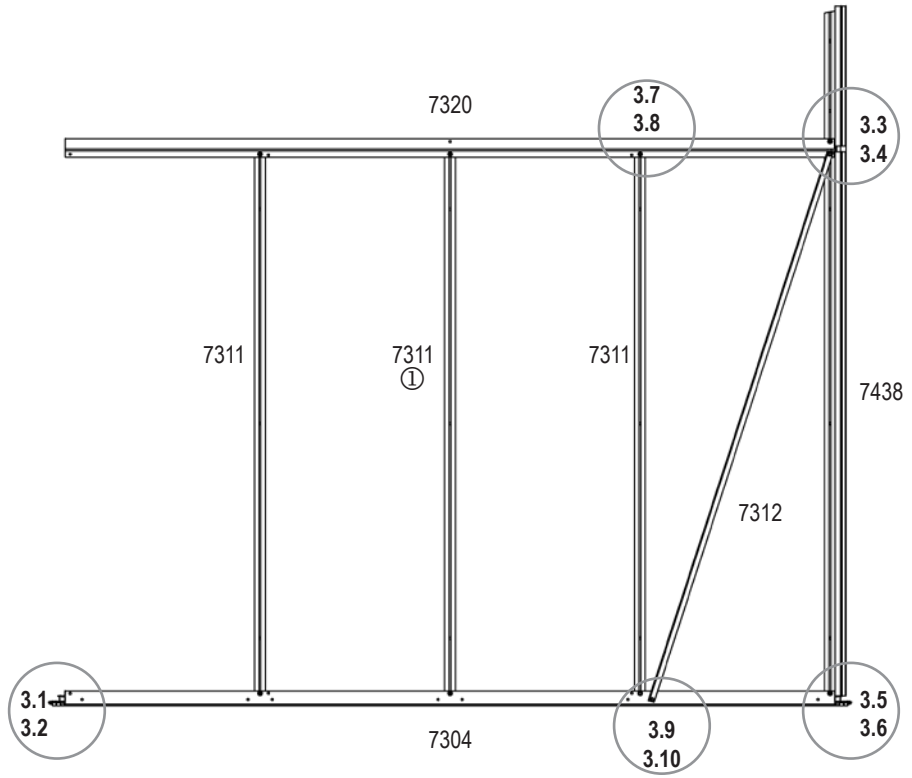
VM0042-A

3



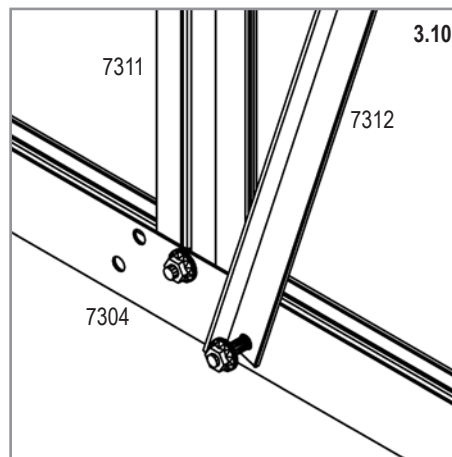
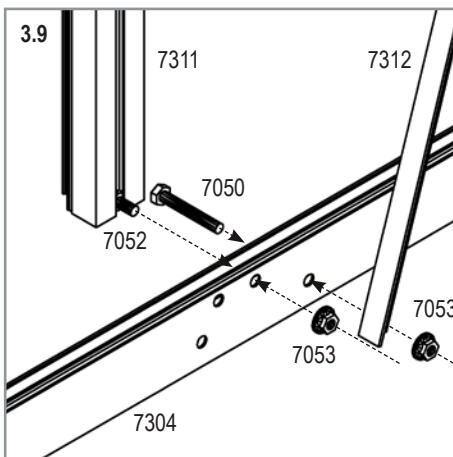
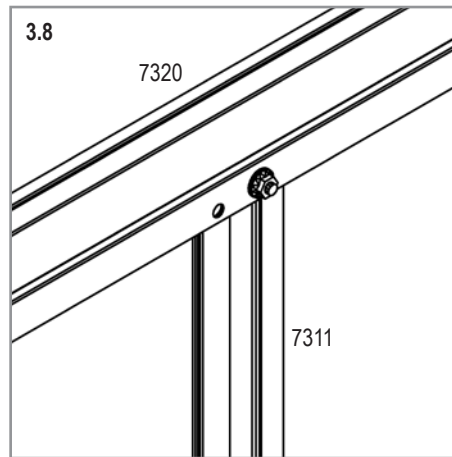
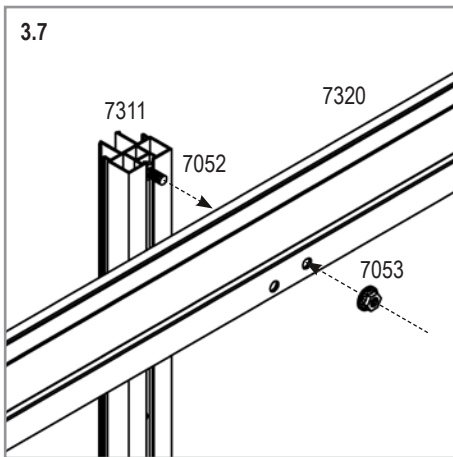
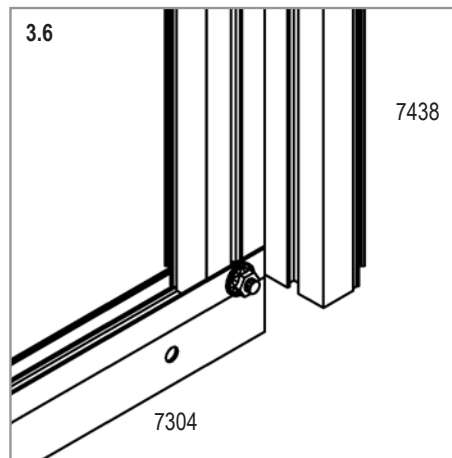
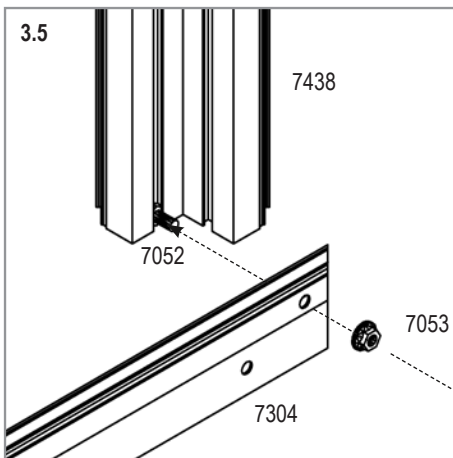
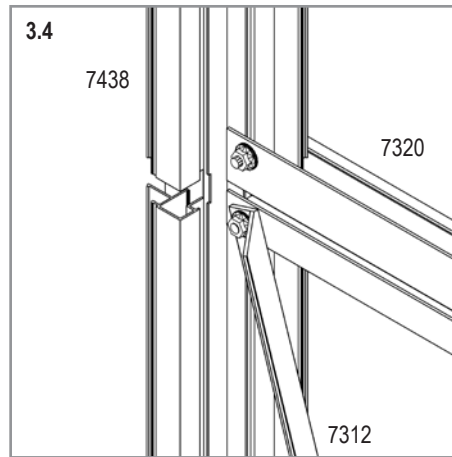
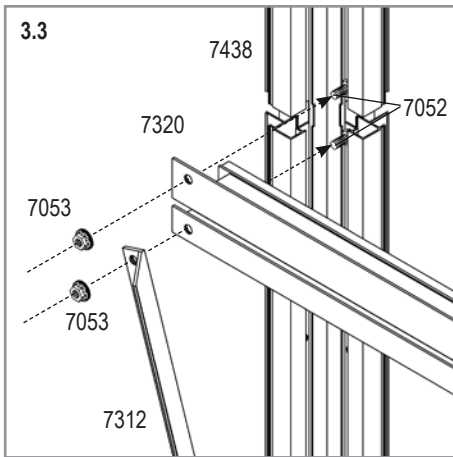
All Models

7050 1x	
7052 9x	
7053 10x	
7304 1x	
7311 3x	
7312 1x	
7320 1x	
7396 1x	
7438 1x	



VM0042-A

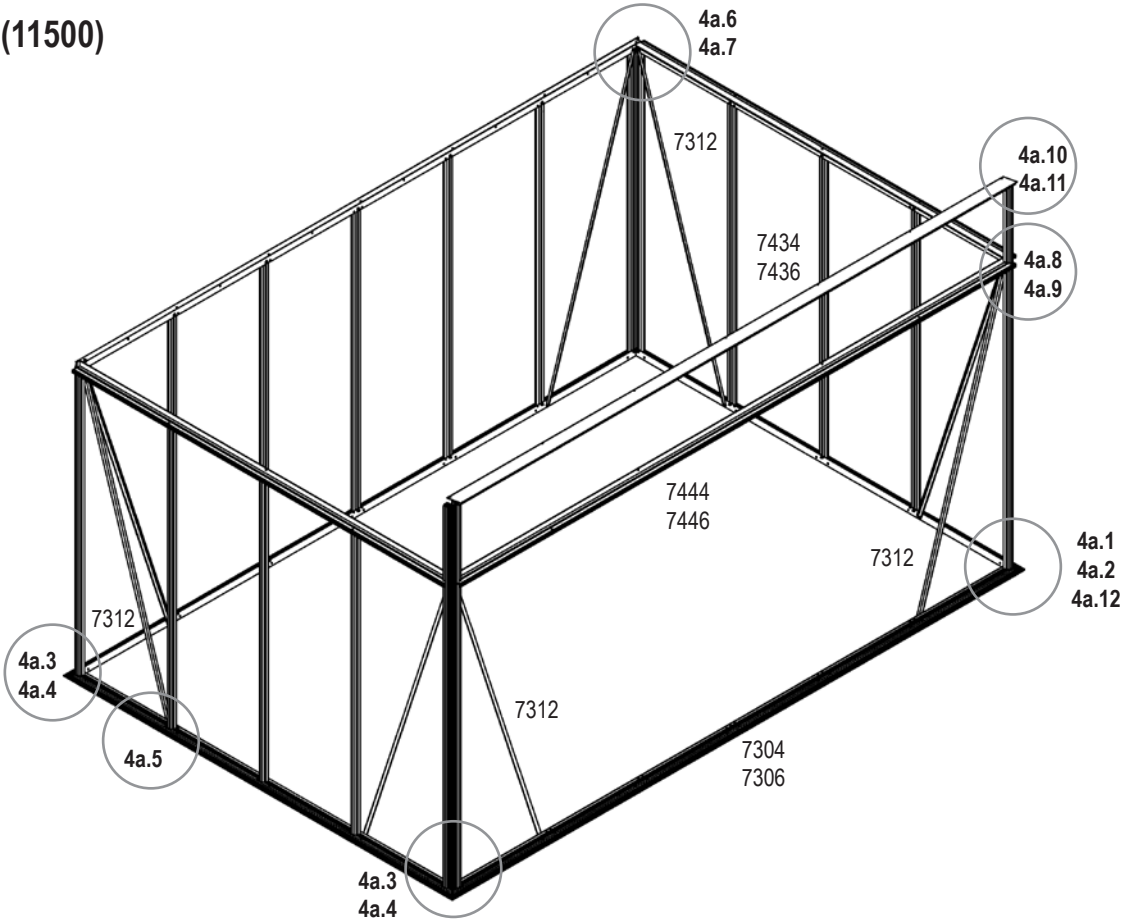
3



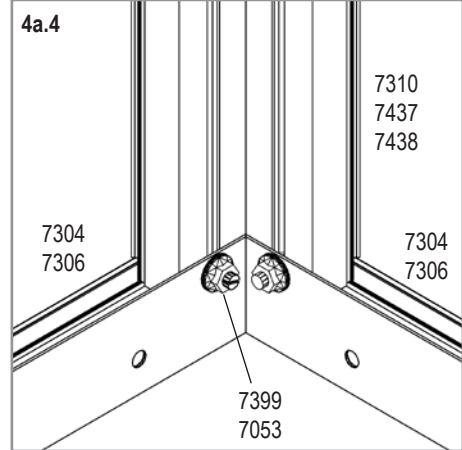
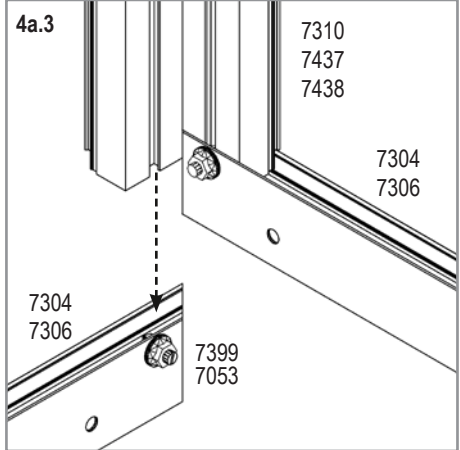
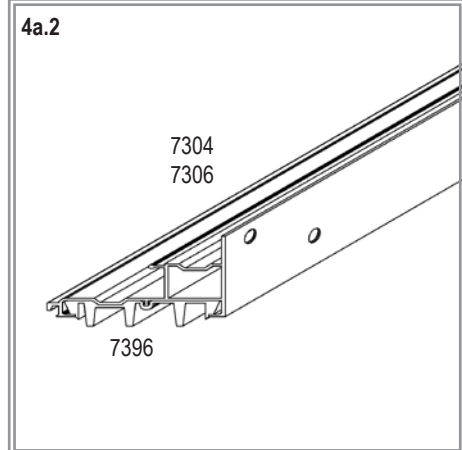
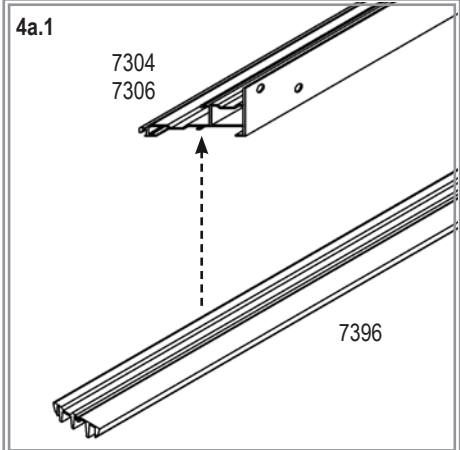
VM0042-A

4a

(11500)

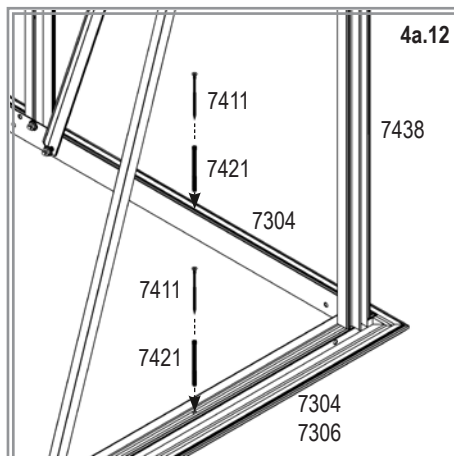
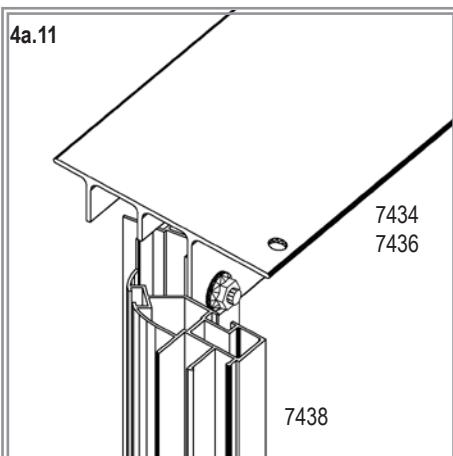
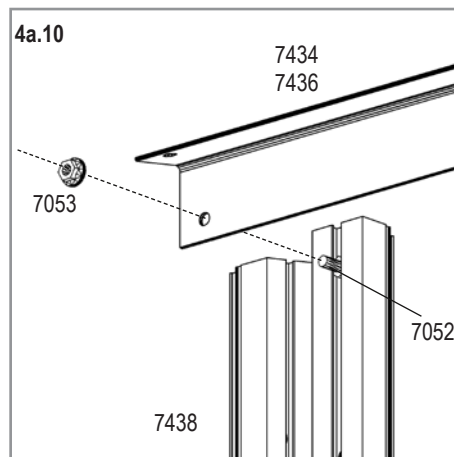
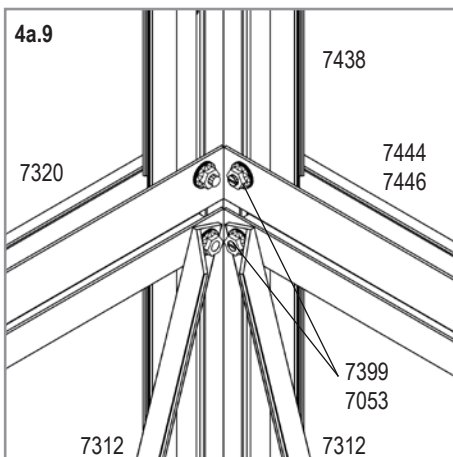
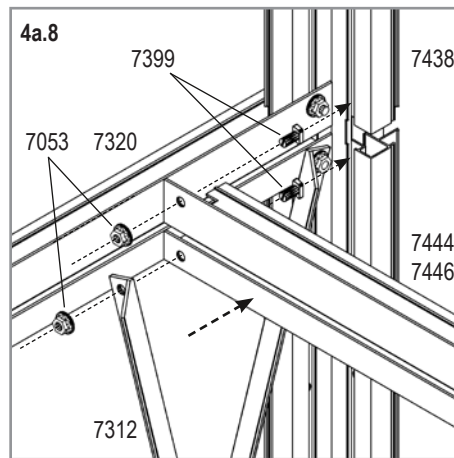
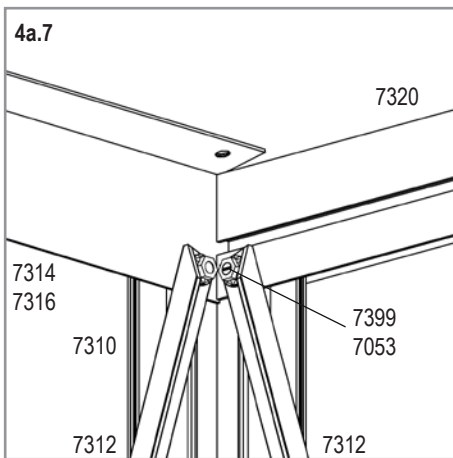
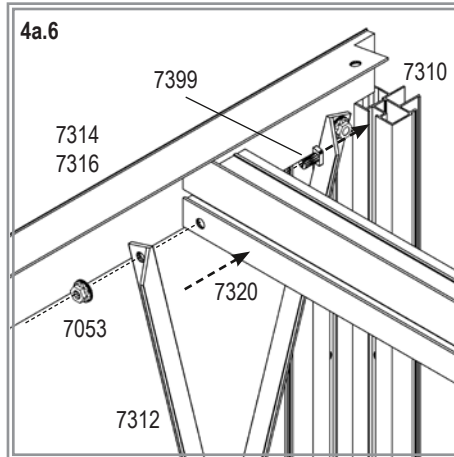
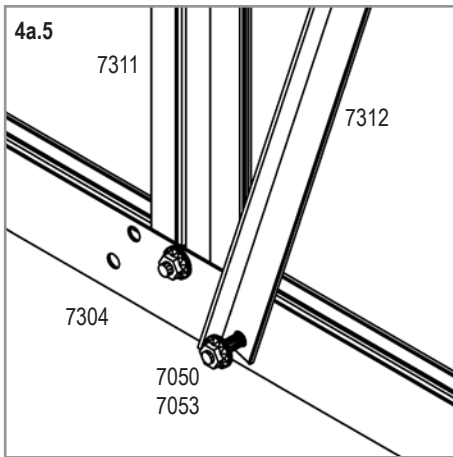


7800	11500
7050	
4x	4x
7052	
2x	2x
7053	
16x	16x
7304	7306
1x	1x
7312	
4x	4x
7396	
1x	1x
7399	
10x	10x
7411	
16x	20x
7421	
16x	20x
7434	7436
1x	1x
7444	7446
1x	1x



VM0042-A

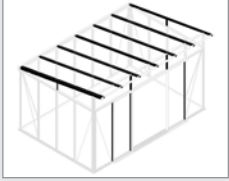
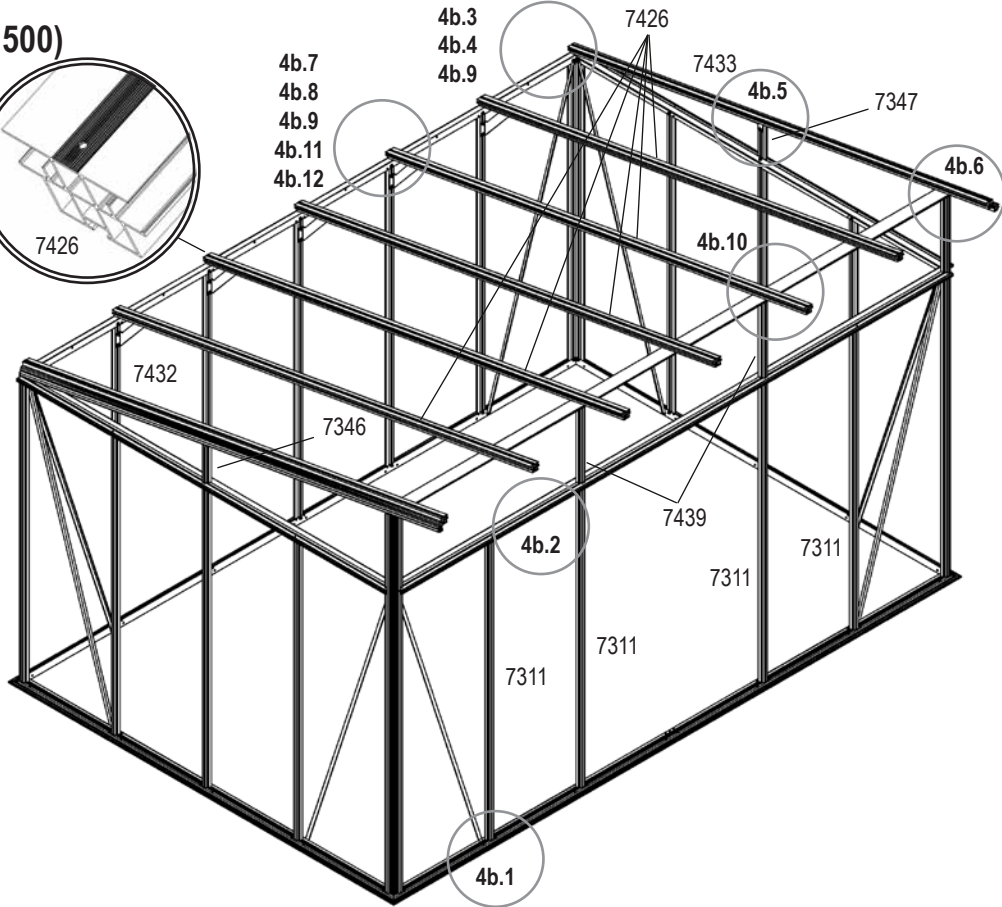
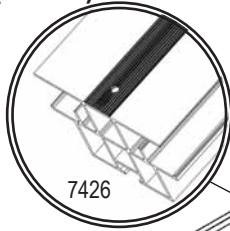
4a



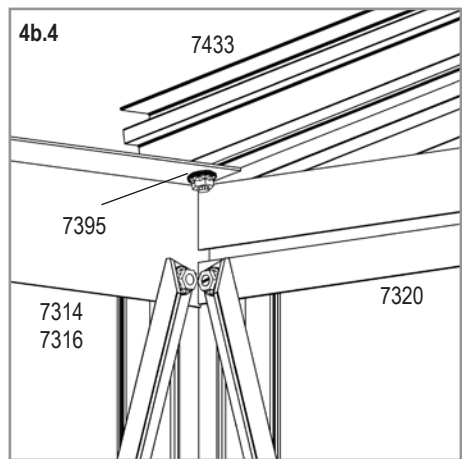
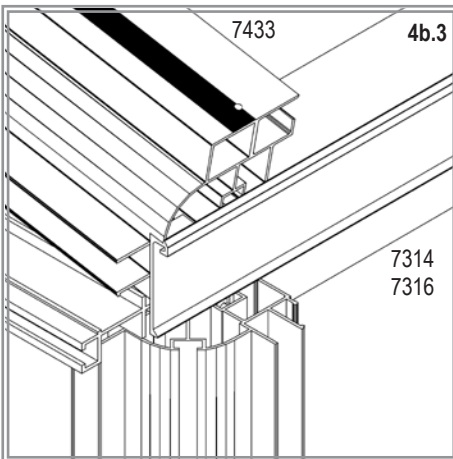
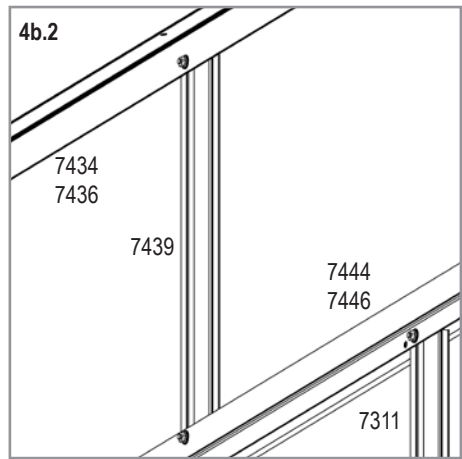
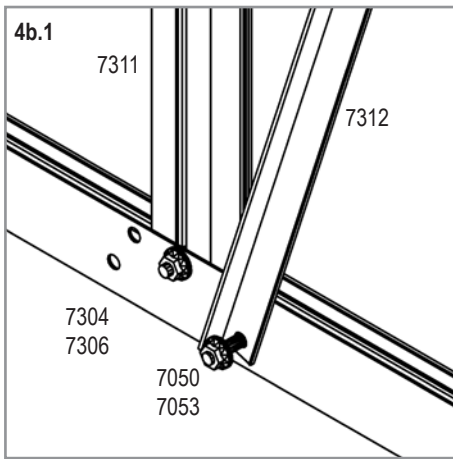
VM0042-A

4b

(11500)

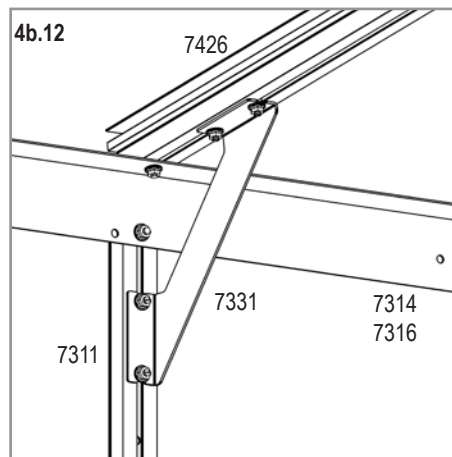
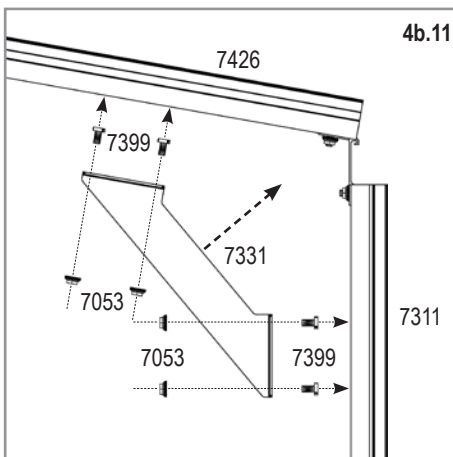
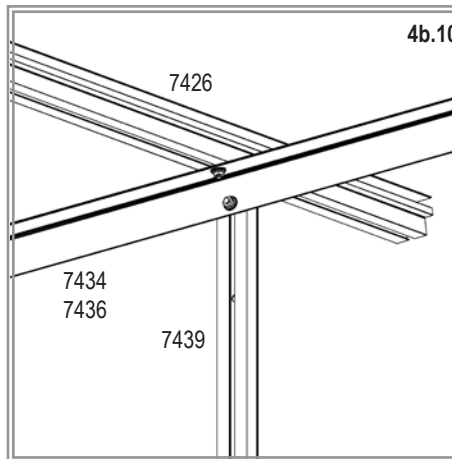
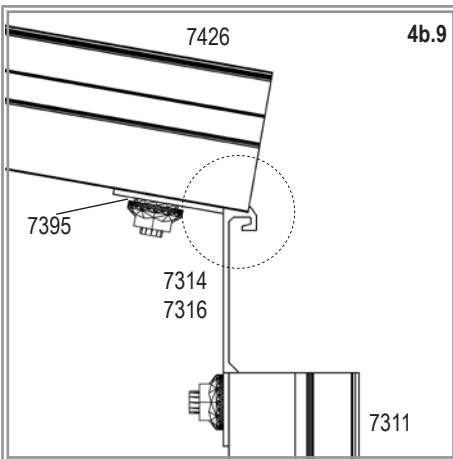
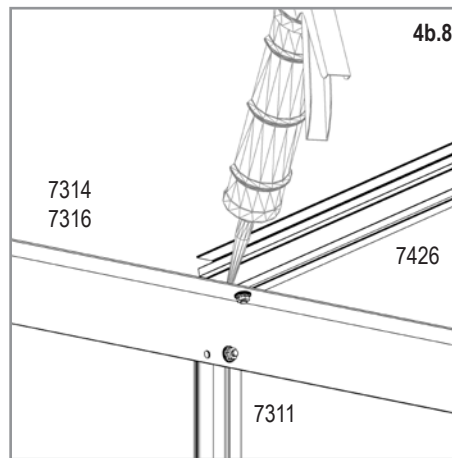
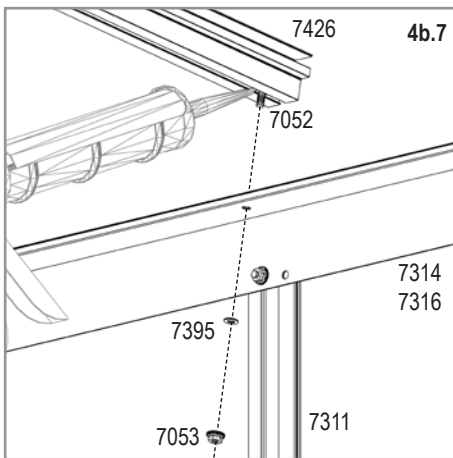
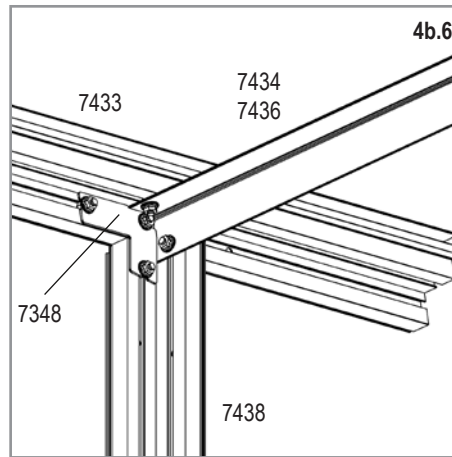
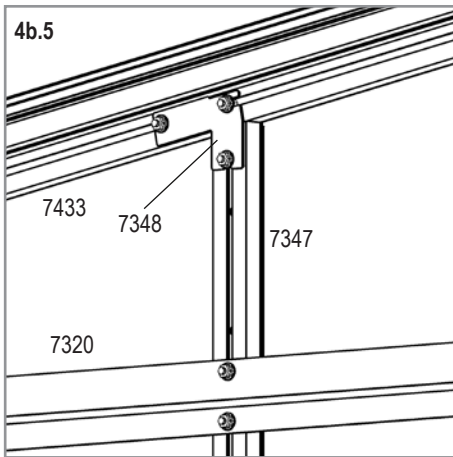


7800	11500
7052	
30x	40x
7053	
42x	60x
7311	
2x	4x
7331	
3x	5x
7346	
1x	1x
7347	
1x	1x
7348	
4x	4x
7395	
5x	7x
7399	
12x	20x
7426	
3x	5x
7432	
1x	1x
7433	
1x	1x
7439	
1x	2x



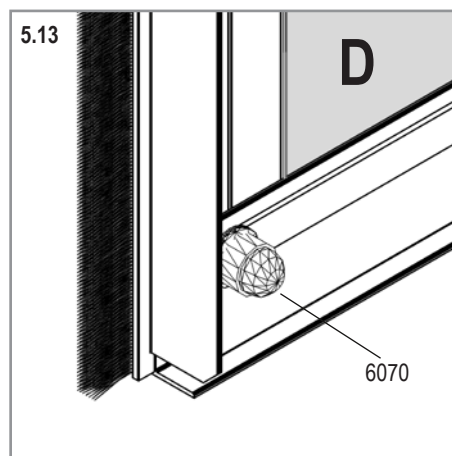
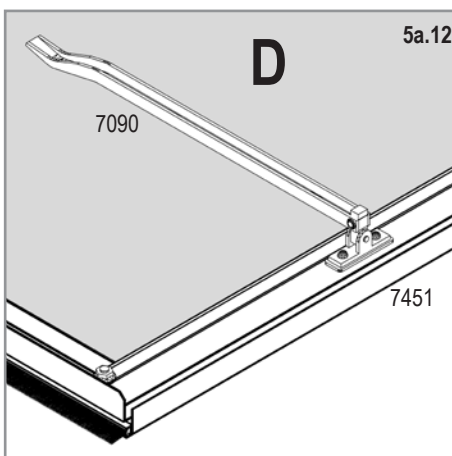
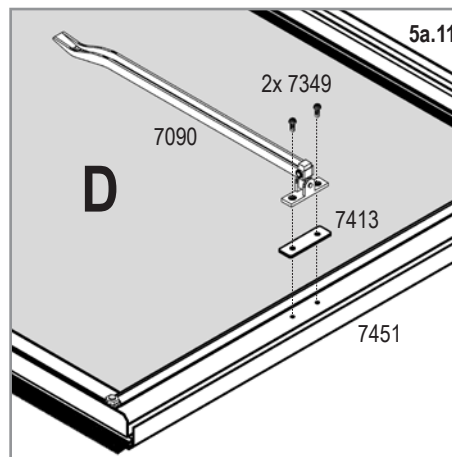
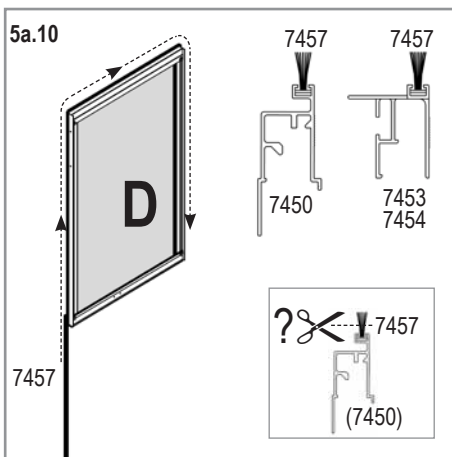
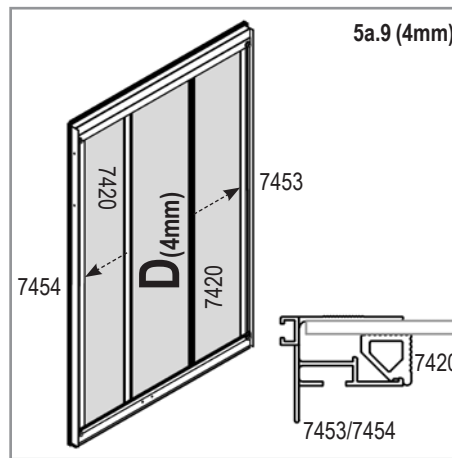
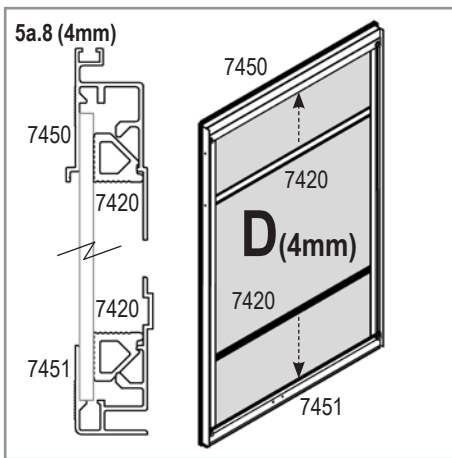
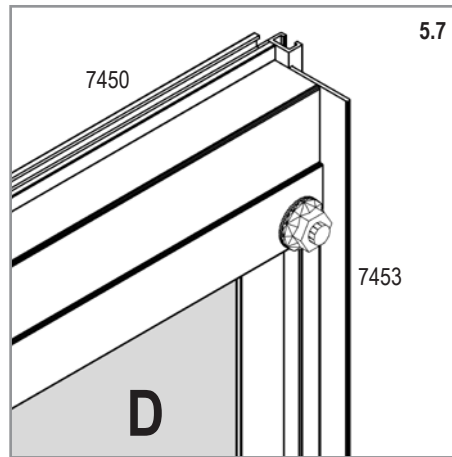
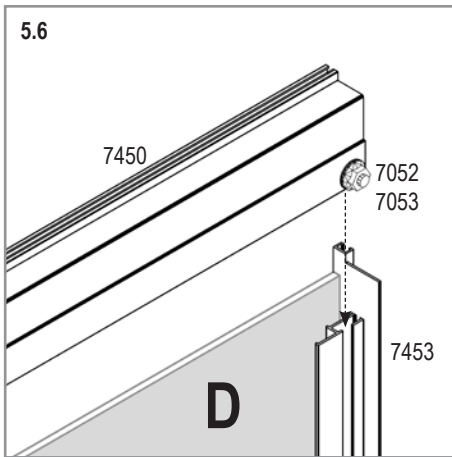
VM0042-A

4b



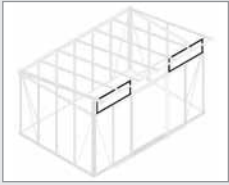
VM0042-A








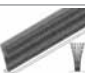




5a

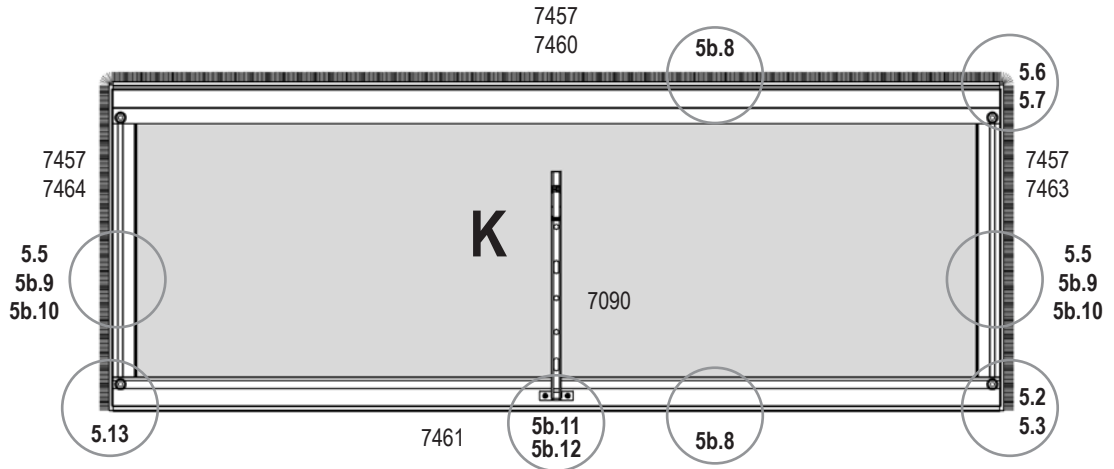


VM0042-A

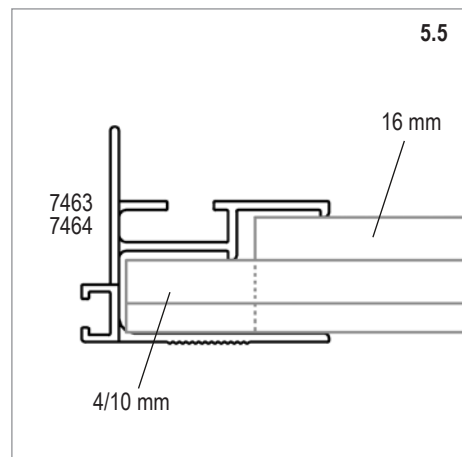
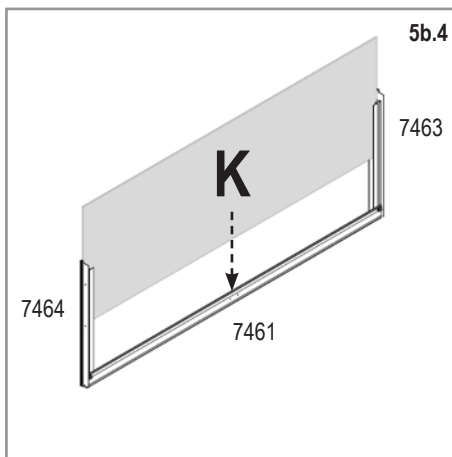
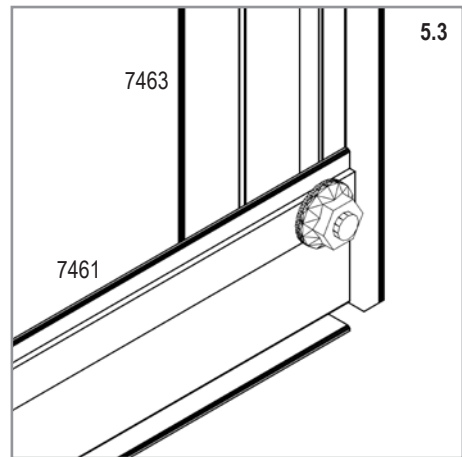
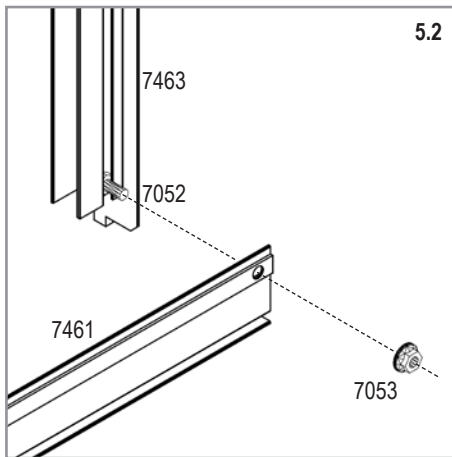
5b



7800	11500
1x	2x
1003	
2x 1	2x 2
6070	
4x 1	4x 2
7052	
4x 1	4x 2
7053	
4x 1	4x 2
7090	
1x 1	1x 2
7413	
2x 1	2x 2
7420	
1x 1	1x 2
7457	
1x 1	1x 2
7460	
1x 1	1x 2
7461	
1x 1	1x 2
7463	
1x 1	1x 2
7464	
1x 1	1x 2

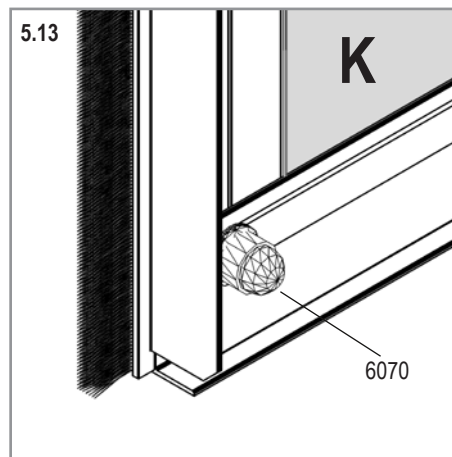
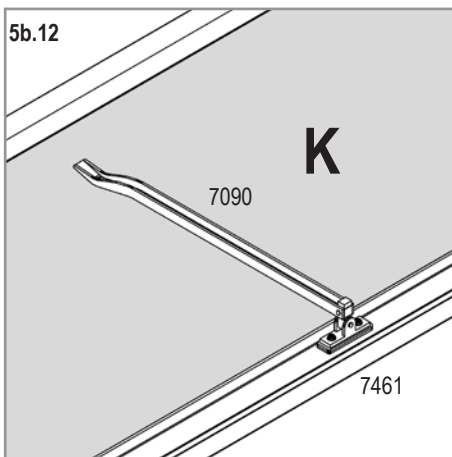
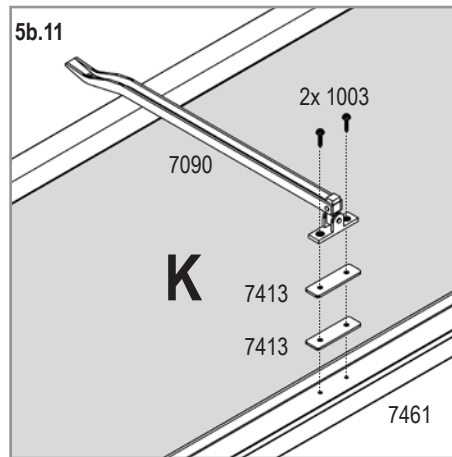
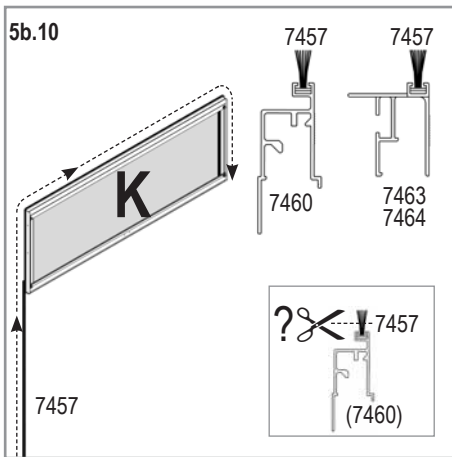
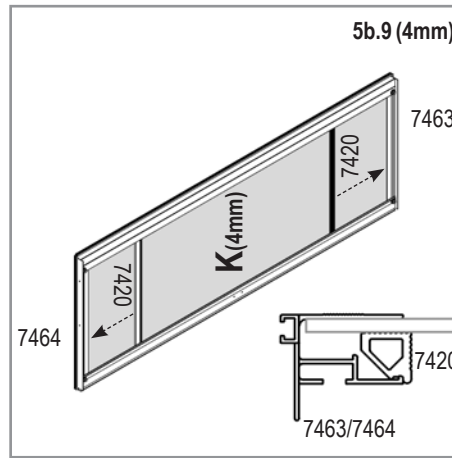
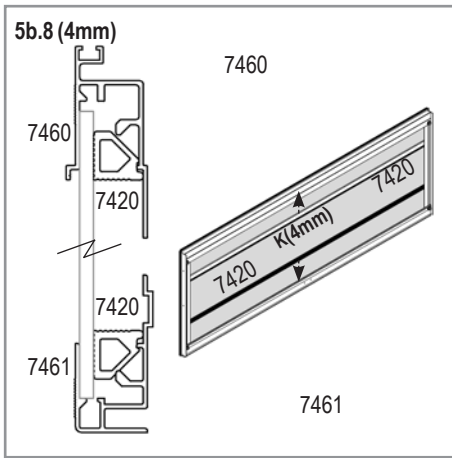
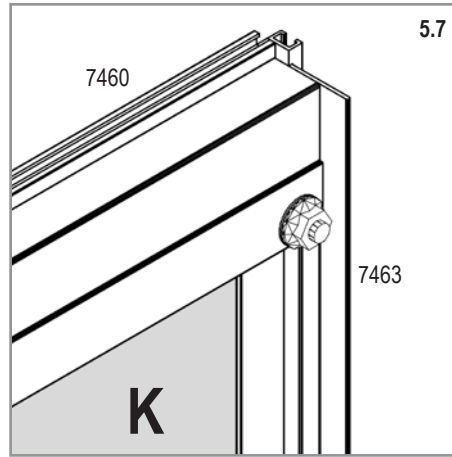
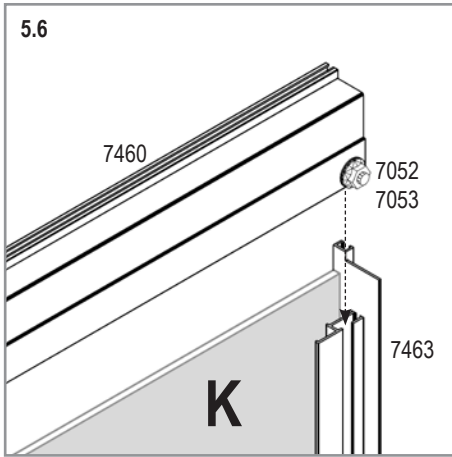


5b.1	GLASS		POLYCARBONATE				QUANTITY / MODEL	
	4 MM		10 MM		16 MM		7800	11500
	ART. No.	MM	ART. No.	MM	ART. No.	MM		
K	40000855	1182 x 411 x 4	40000858	1182 x 411	40000860	1149 x 393	1x 1	1x 2



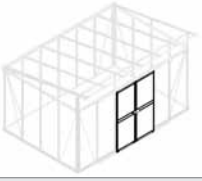
VM0042-A

5b



VM0042-A

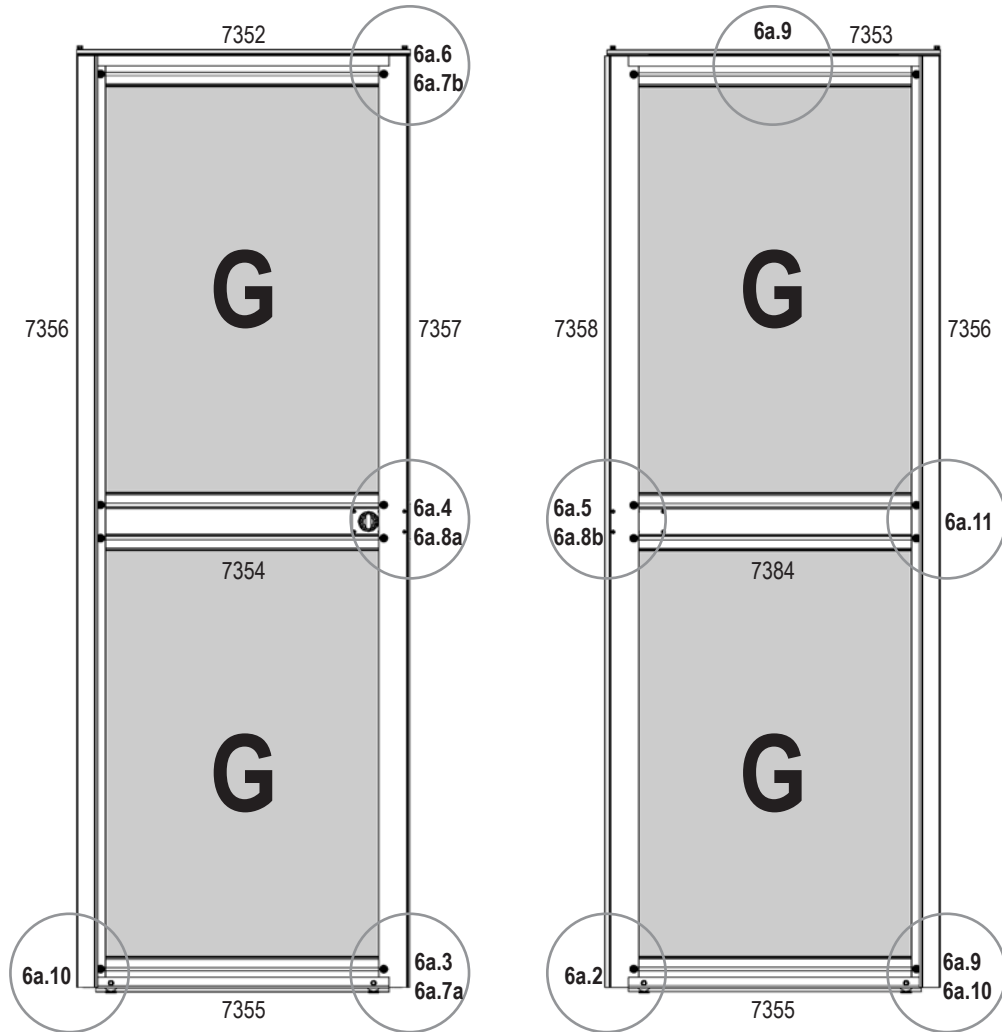
6a



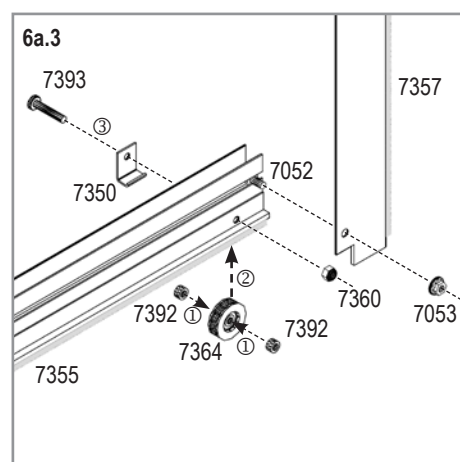
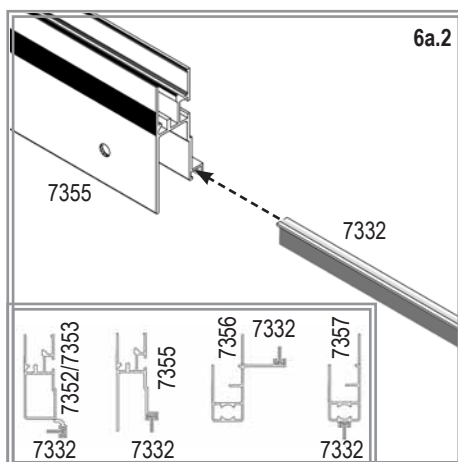
All Models



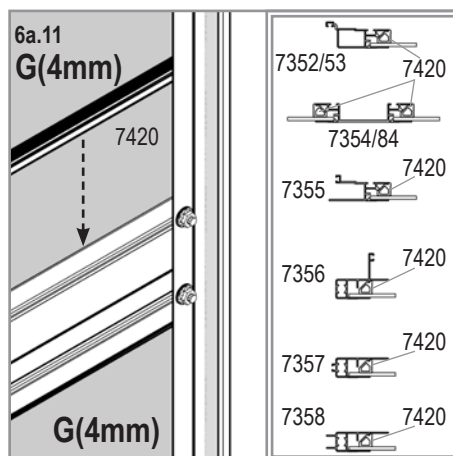
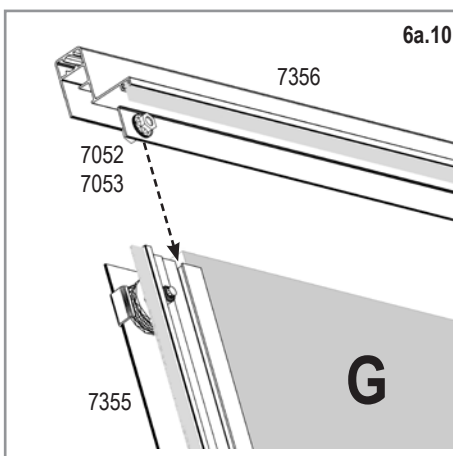
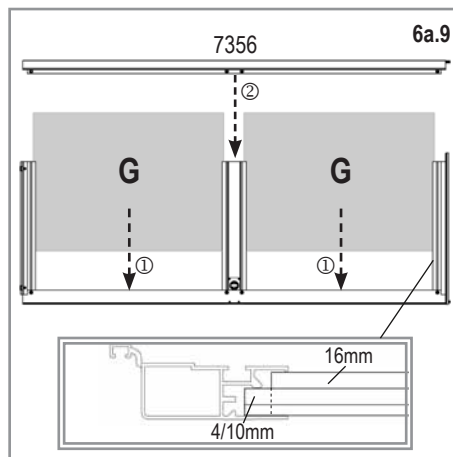
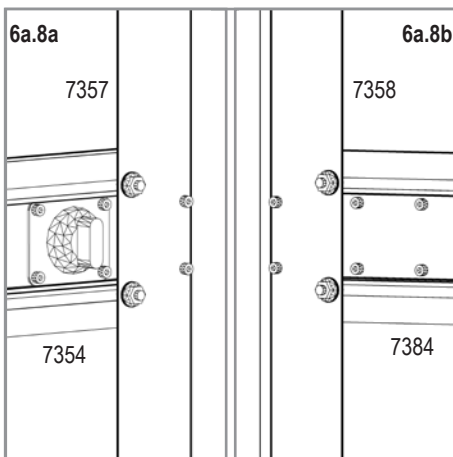
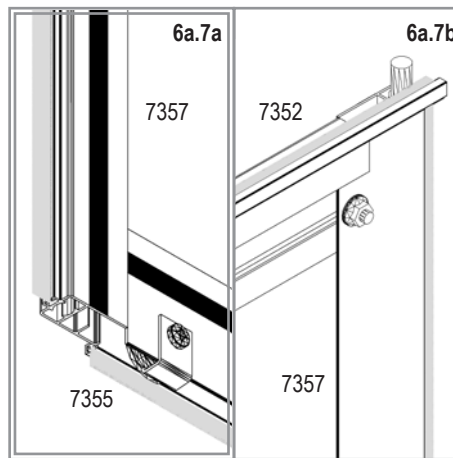
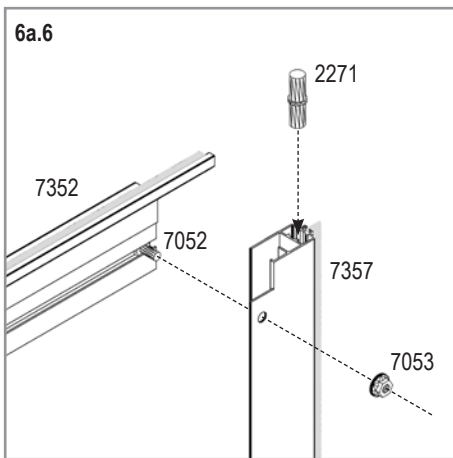
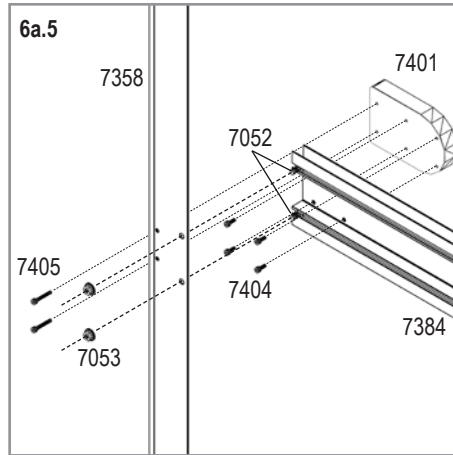
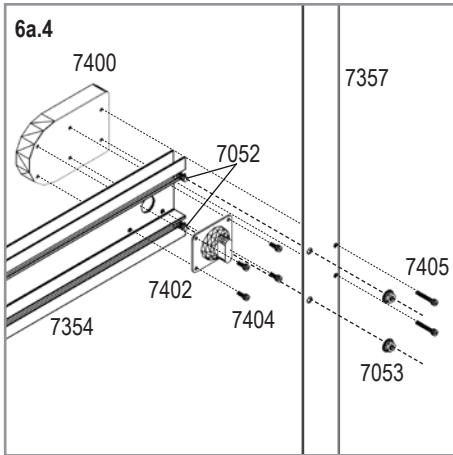
VM0042-A



6a.1	GLASS		POLYCARBONATE				QUANTITY / MODEL	
	4 MM		10 MM		16 MM		7800	11500
	ART. No.	MM	ART. No.	MM	ART. No.	MM		
G	367853	619 x 843	369586	619 x 843	369596	595 x 823	4x	4x

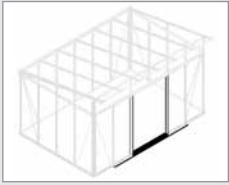


6a

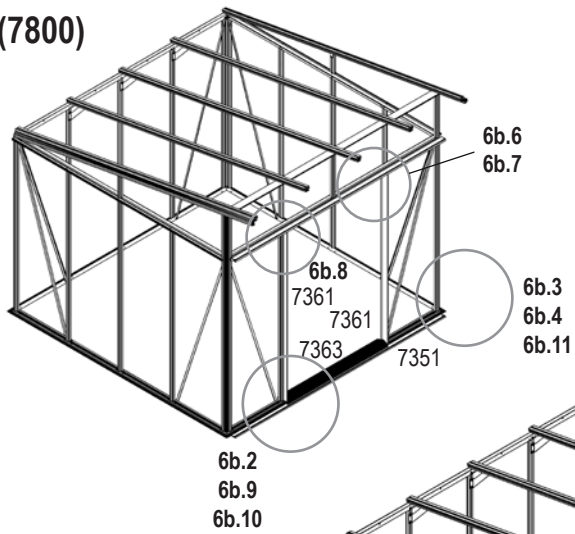


VM0042-A

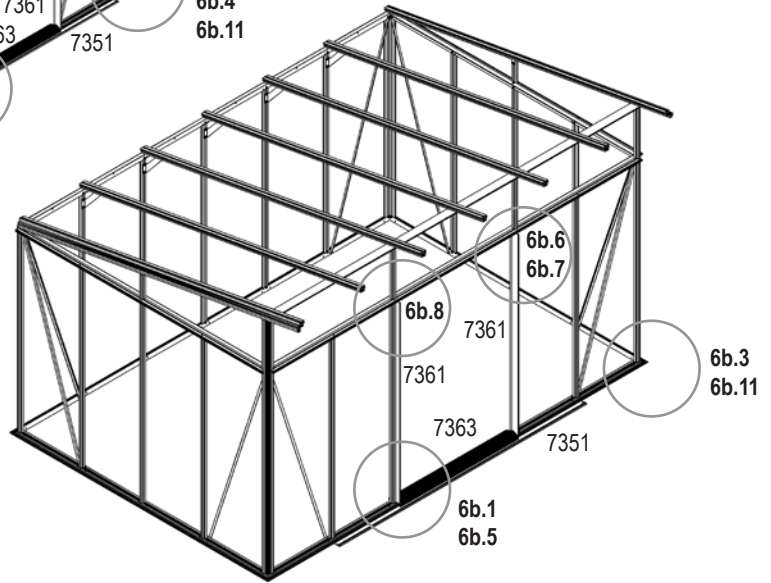
6b



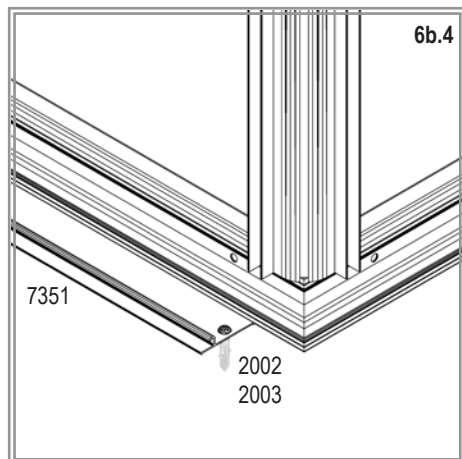
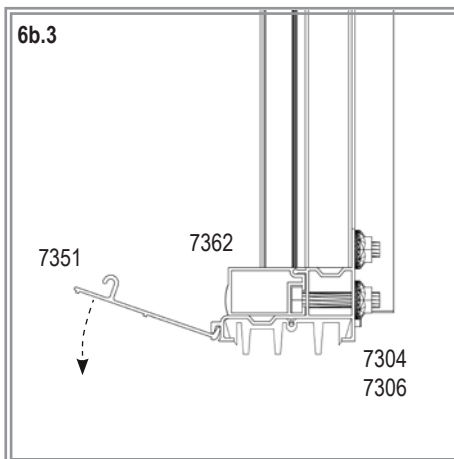
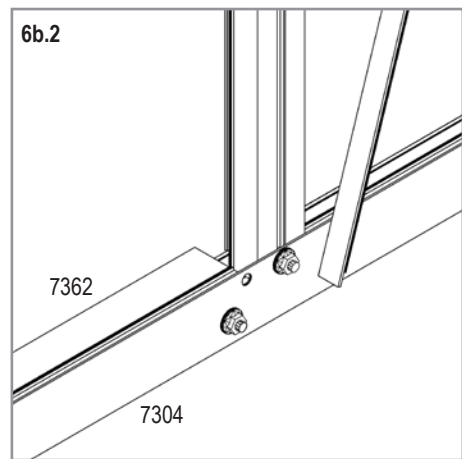
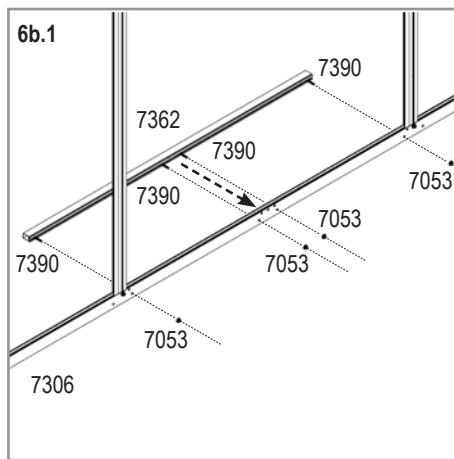
(7800)



(11500)

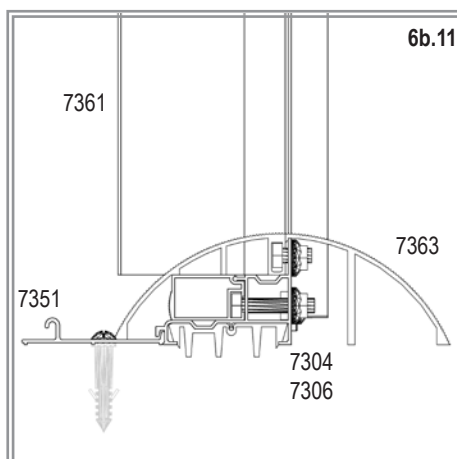
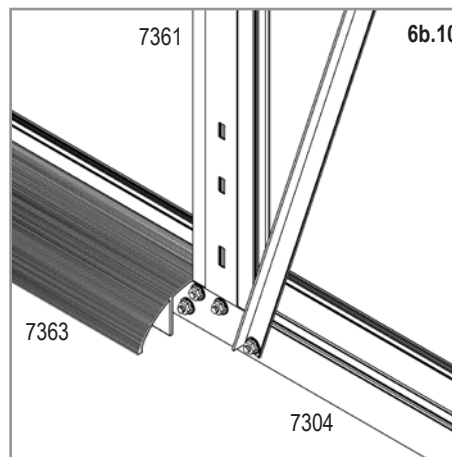
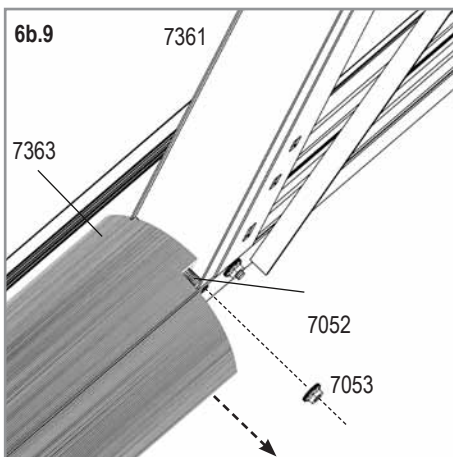
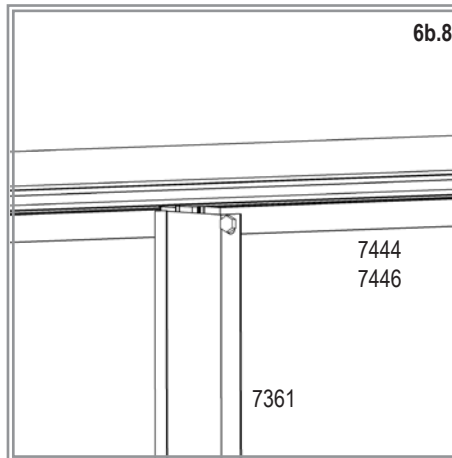
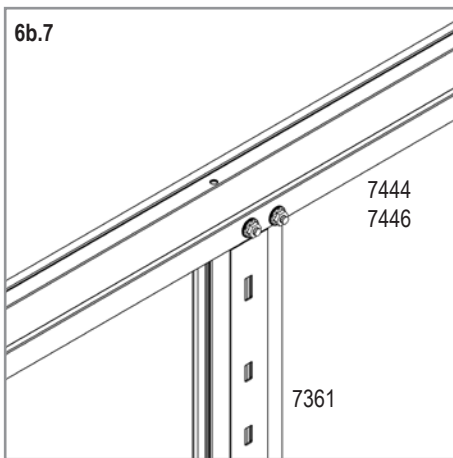
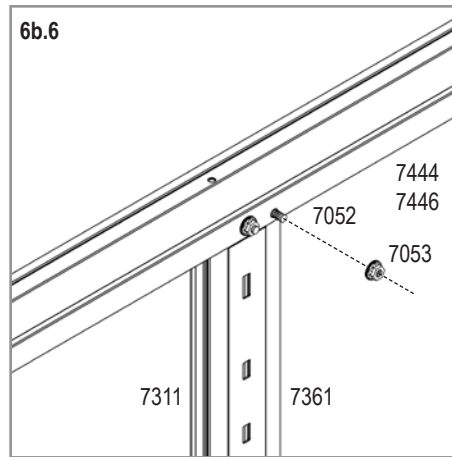
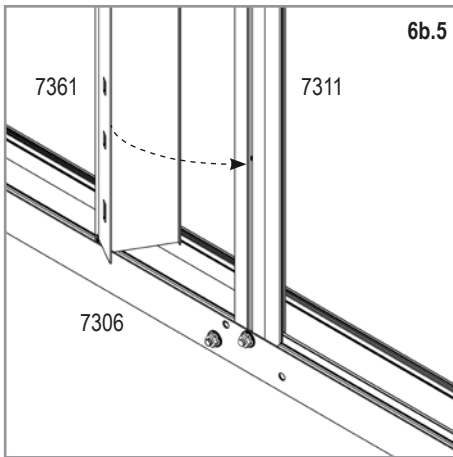


All Models	
2002 2x	
2003 2x	
7052 4x	
7053 8x	
7351 1x	
7361 2x	
7362 1x	
7363 1x	
7390 4x	

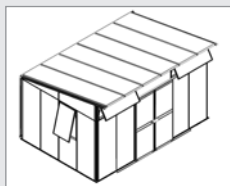


VM0042-A

6b



VM0042-A

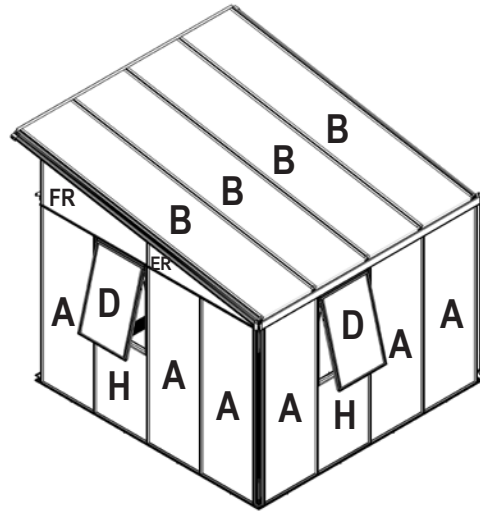
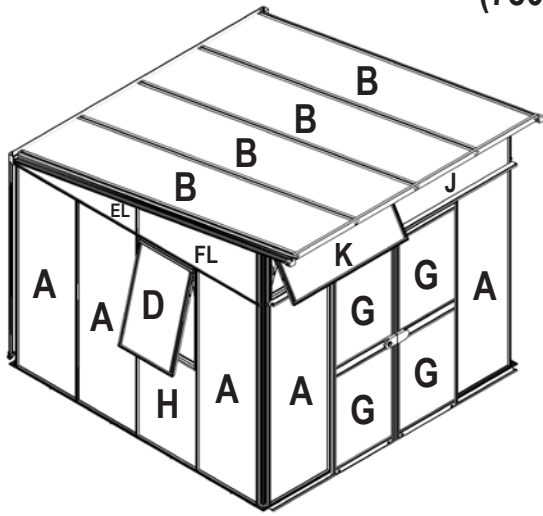


7.1	GLASS		POLYCARBONATE				QUANTITY / MODEL	
	3 / 4 MM		10 MM		16 MM		7800	11500
	ART. No.	MM	ART. No.	MM	ART. No.	MM		
A	367850	610 x 1816	40000893	610 x 1816	40000894	610 x 1816	11x	15x
B	-	-	40000856	610 x 2926	-	-	4x	6x
D	40000657	555 x 870 x 4	369581	555 x 870	40000695	519 x 852	3x	3x
EL	367851	1239 x 230/11.5	40000895	1239 x 230/11.5	40000896	1239 x 230/11.5	1x	1x
ER			40000897		40000898		1x	1x
FL	367852	1239 x 452/233.5	40000899	1239 x 452/233.5	40000901	1239 x 452/233.5	1x	1x
FR			40000900		40000902		1x	1x
G	367853	619 x 843 x 4	369586	619 x 843	369596	595 x 823	4x	4x
H	40000658	610 x 895	40000696	610 x 895	40000697	610 x 895	3x	3x
J	40000854	1239 x 475	40000857	1239 x 475	40000859	1239 x 475	1x	1x
K	40000855	1182 x 411 x 4	40000858	1182 x 411	40000860	1149 x 393	1x	2x
TOTAL							31x	38x

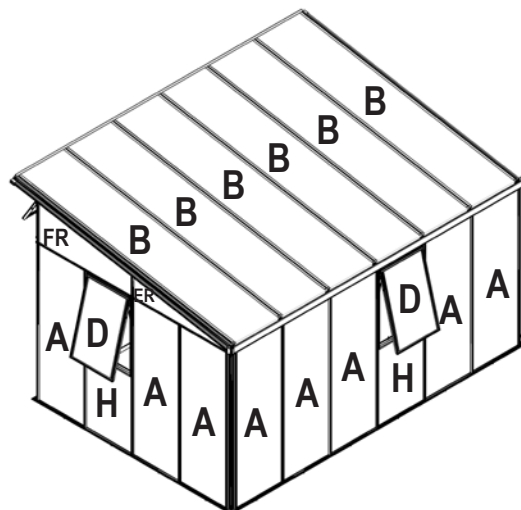
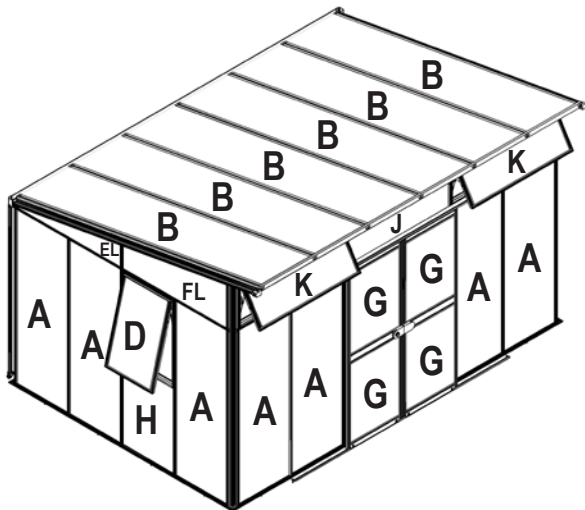
VM0042-A

7

(7800)



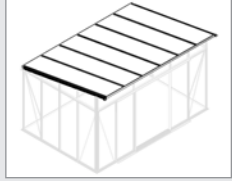
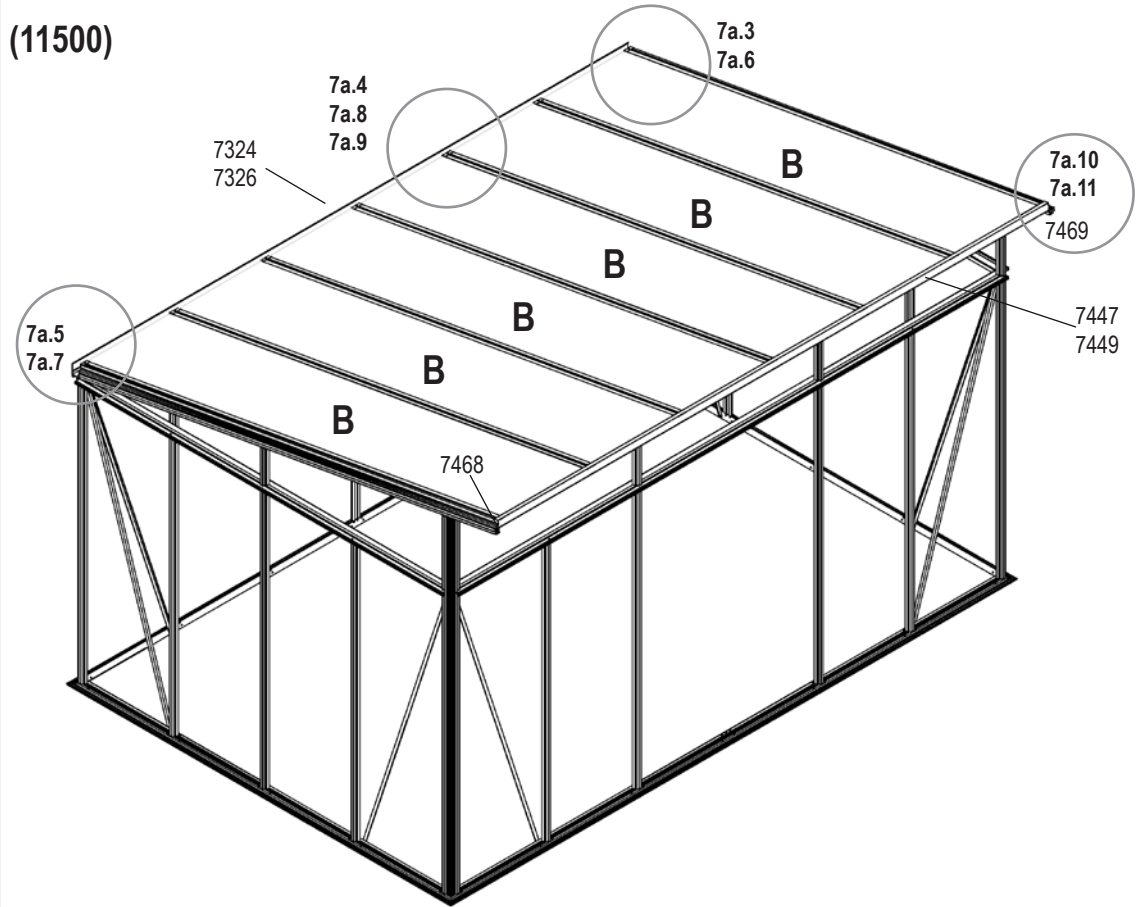
(11500)



VM0042-A

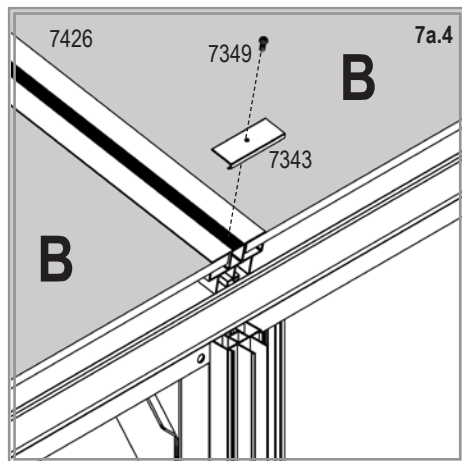
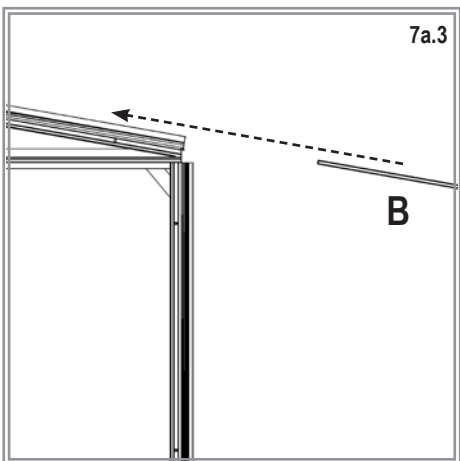
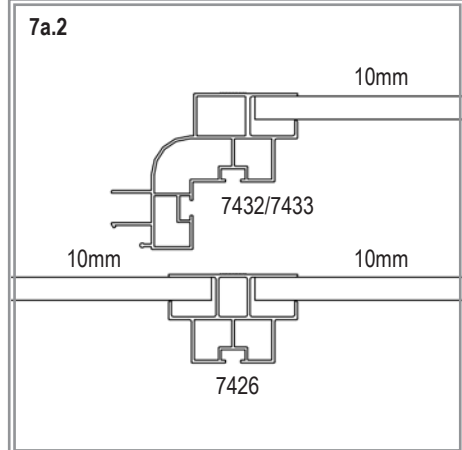
7a

(11500)



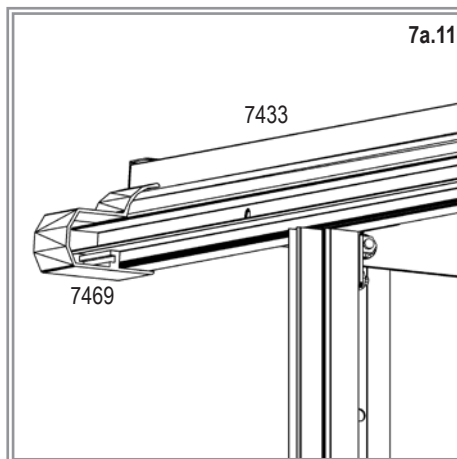
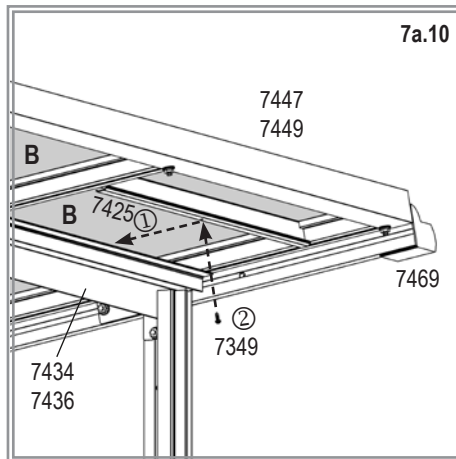
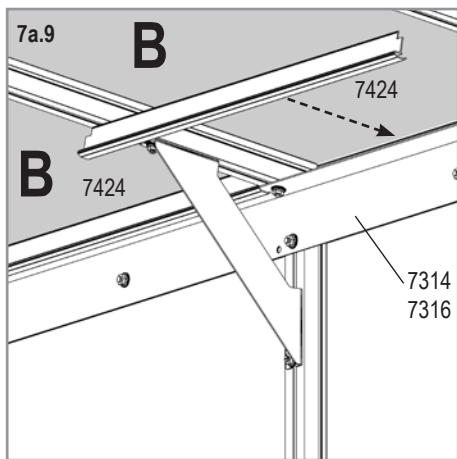
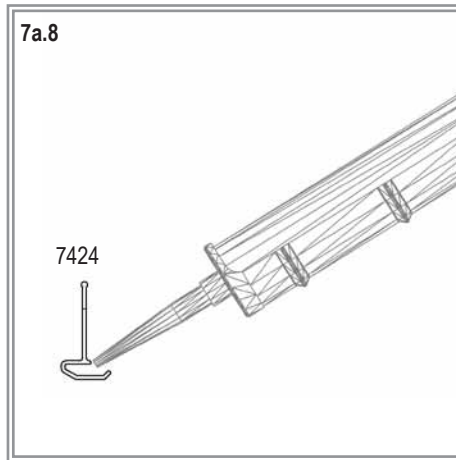
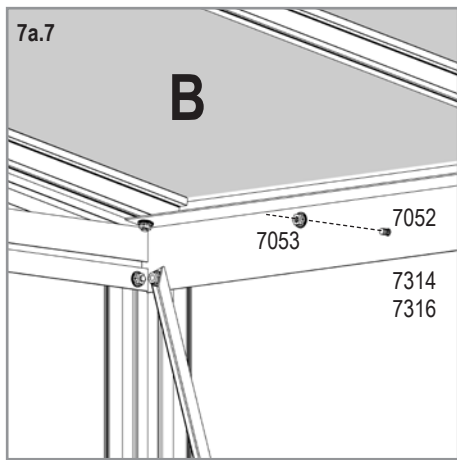
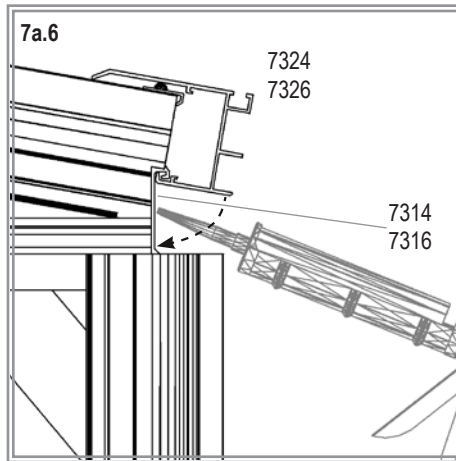
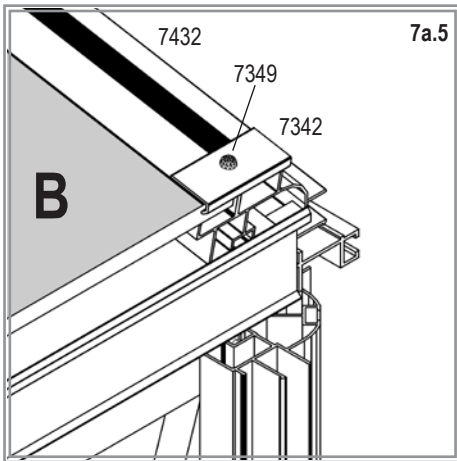
7800	11500
7052	
9x	13x
7053	
9x	13x
7324	7326
1x	1x
7342	
2x	2x
7343	
3x	5x
7349	
9x	13x
7424	
4x	6x
7425	
4x	6x
7447	7449
1x	1x
7468	
1x	1x
7469	
1x	1x

7a.1	POLYCARBONATE		QUANTITY / MODEL	
	10 MM		7800	11500
	ART. No.	MM		
B	40000856	610 x 2928	4x	6x



VM0042-A

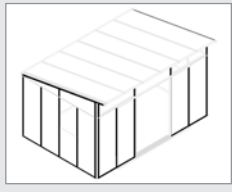
7a



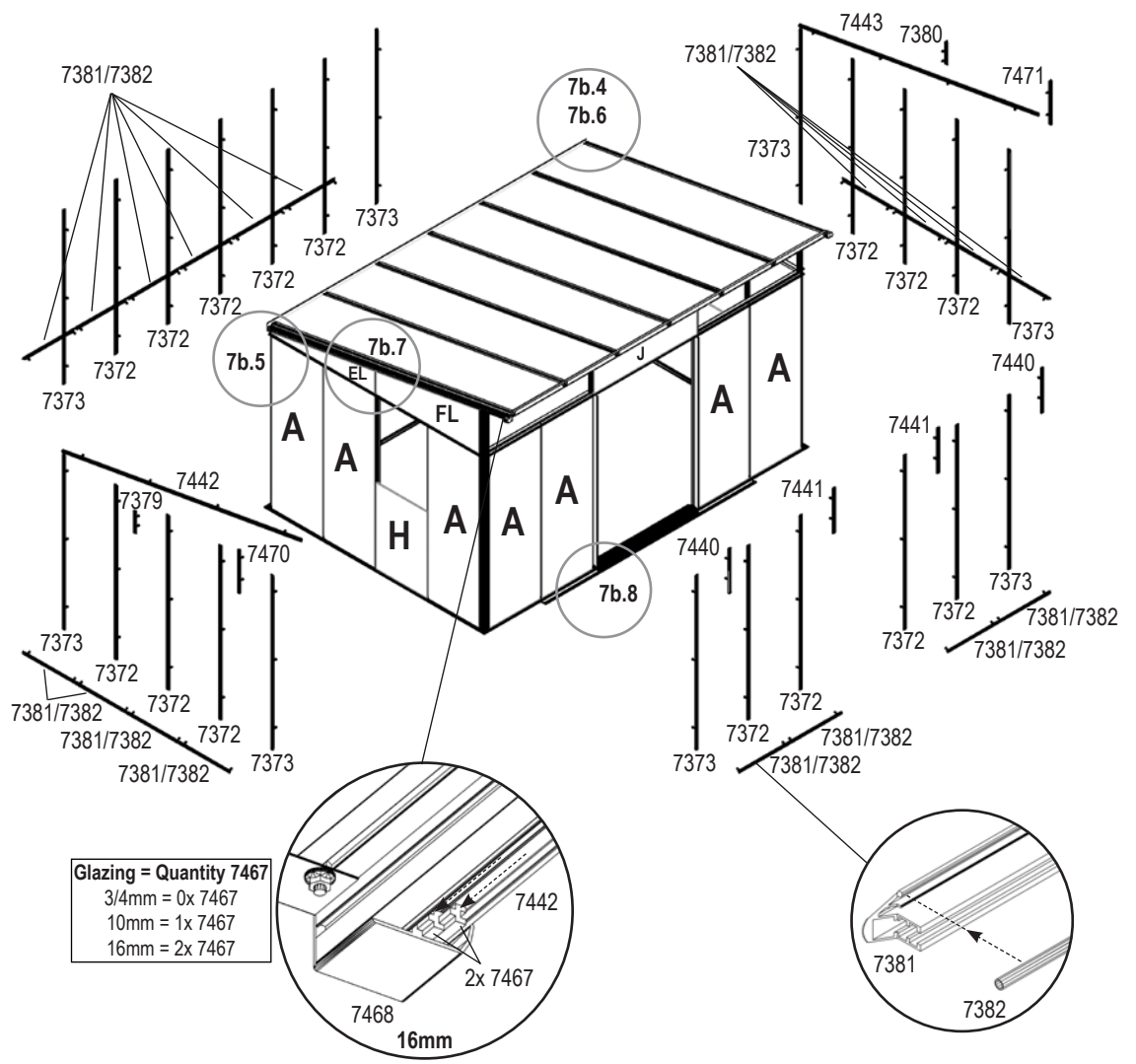
VM0042-A

7b

(11500)



7800	11500
7050	
99x	121x
7053	
99x	121x
7372	
11x	15x
7381	
14x	18x
7382	
14x	18x
7407	
14x	18x
7441	
1x	2x
All Models	
6090	
1x	
7373	
8x	
7379	
1x	
7380	
1x	
7409	
10x	
7440	
2x	
7442	
1x	
7443	
1x	
7467	
4x	
7470	
1x	
7471	
1x	

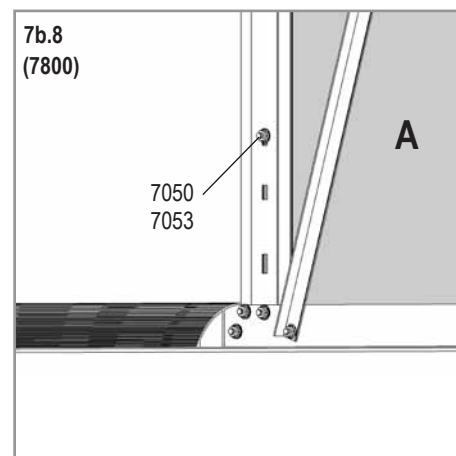
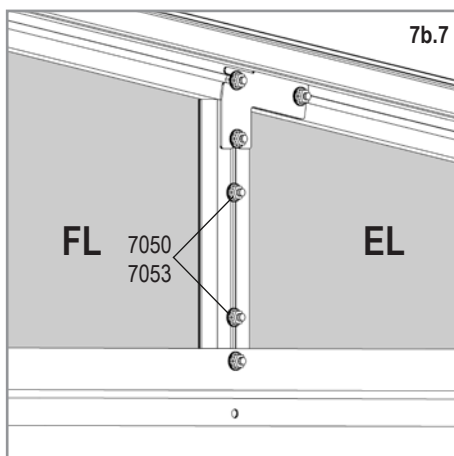
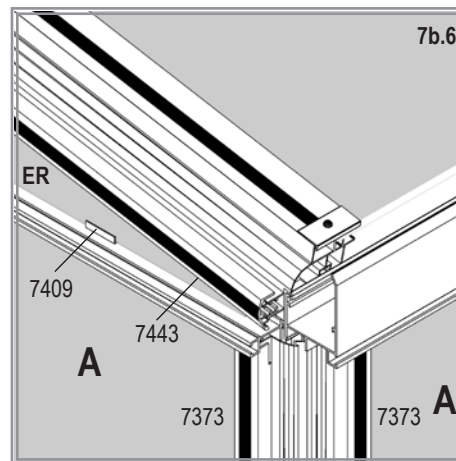
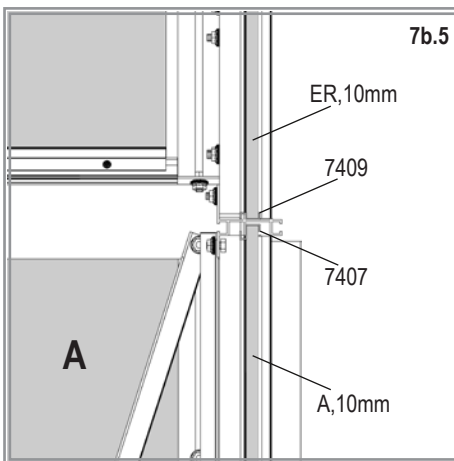
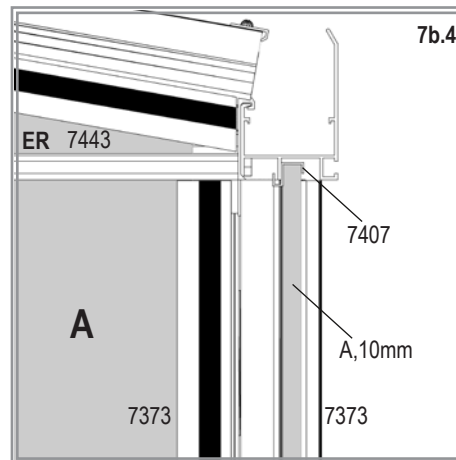
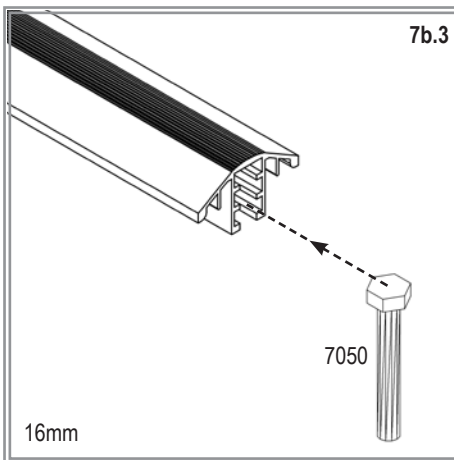
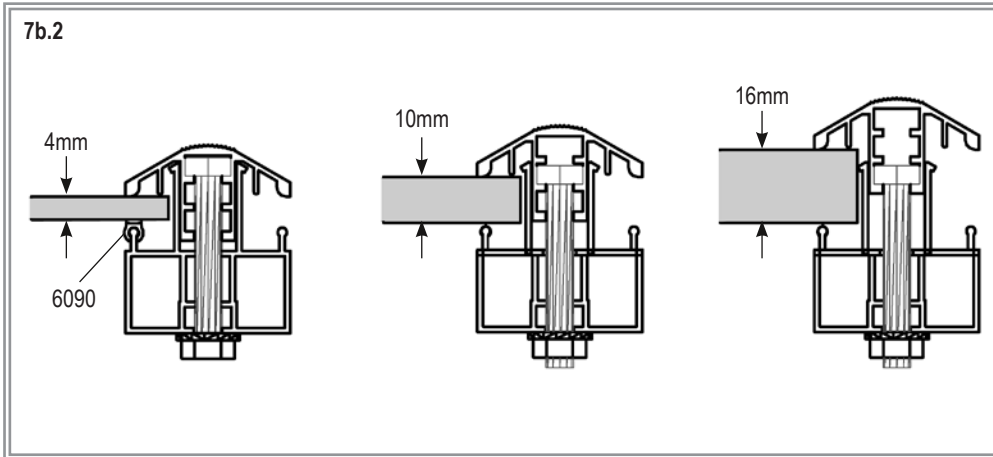


Glazing = Quantity 7467
 3/4mm = 0x 7467
 10mm = 1x 7467
 16mm = 2x 7467

7b.1	GLASS		POLYCARBONATE				QUANTITY / MODEL	
	4 MM		10 MM		16 MM		7800	11500
	ART. No.	MM	ART. No.	MM	ART. No.	MM		
A	367850	610 x 1816	40000893	610 x 1816	40000894	610 x 1816	11x	15x
EL	367851	1239 x 230/11.5	40000895	1239 x 230/11.5	40000896	1239 x 230/11.5	1x	1x
ER			40000897		40000898		1x	1x
FL	367852	1239 x 452/233.5	40000899	1239 x 452/233.5	40000901	1239 x 452/233.5	1x	1x
FR			40000900		40000902		1x	1x
H	40000658	610 x 895	40000696	610 x 895	40000697	610 x 895	3x	3x
J	40000854	1239 x 475	40000857	1239 x 475	40000859	1239 x 475	1x	1x

VM0042-A

7b



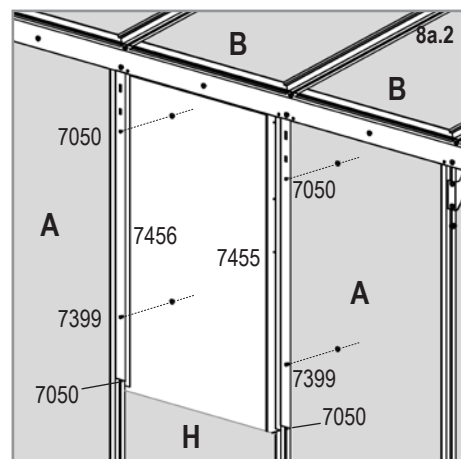
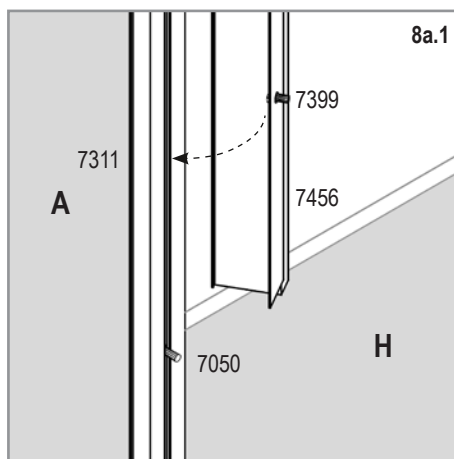
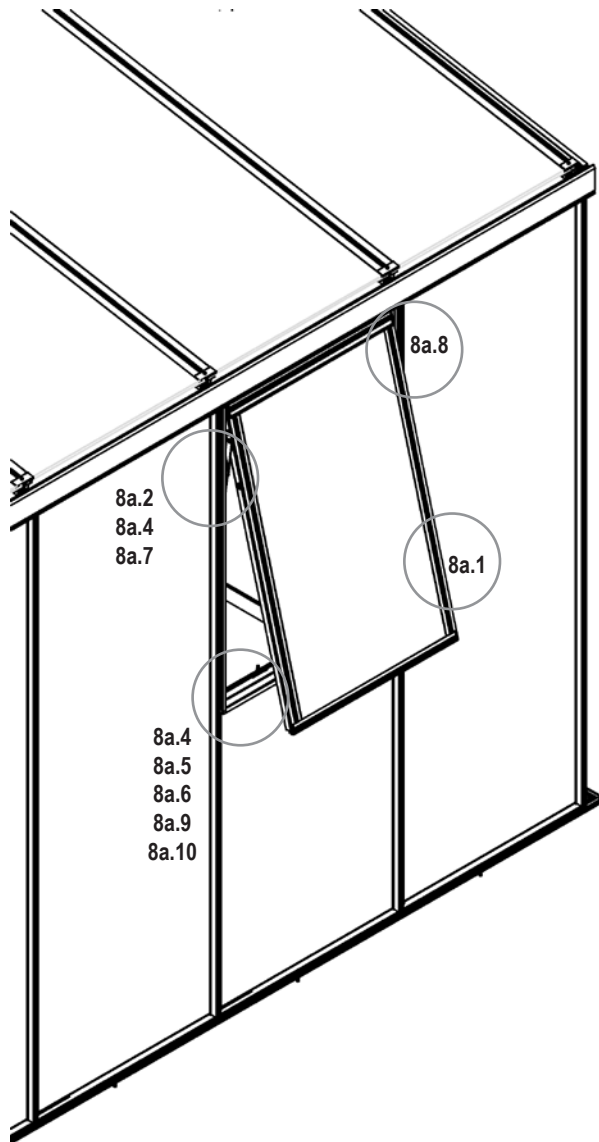
VM0042-A

8a



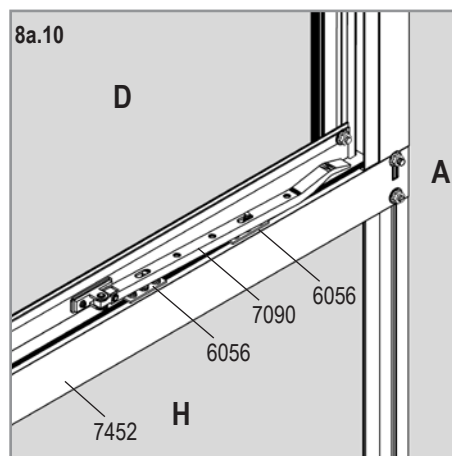
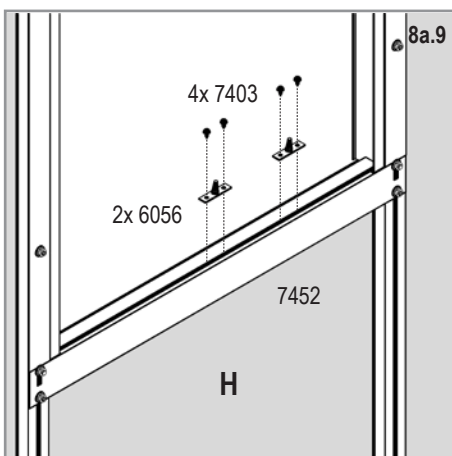
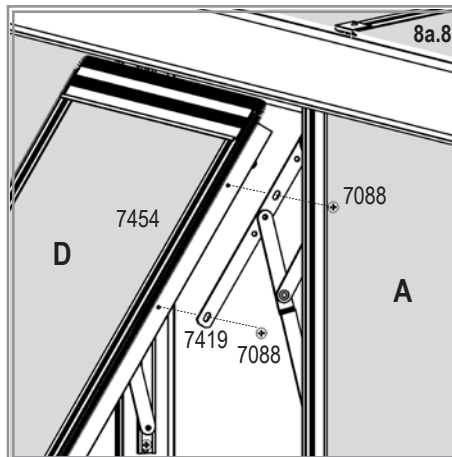
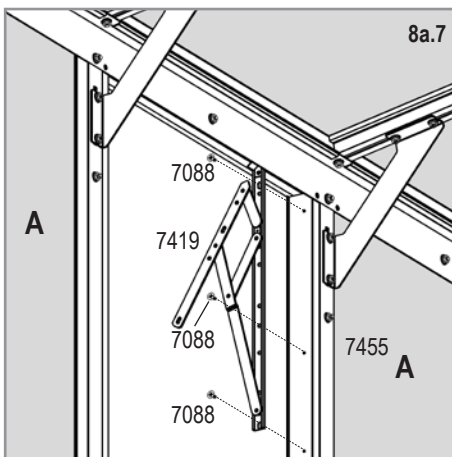
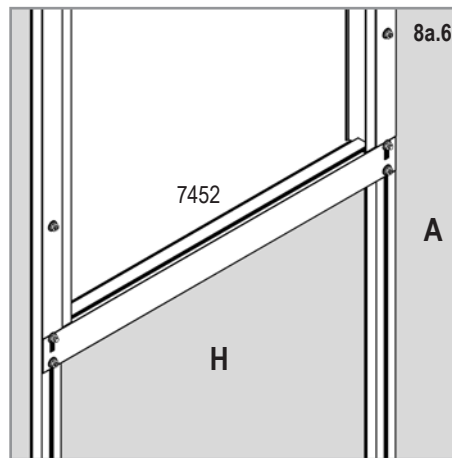
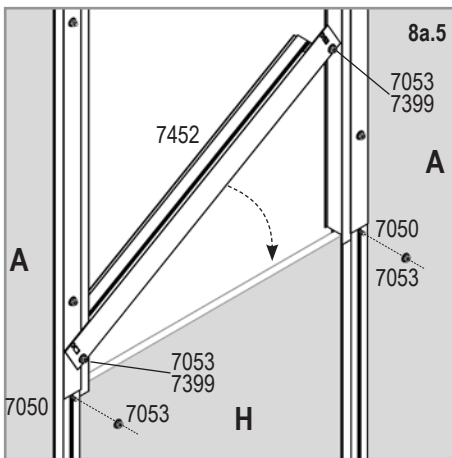
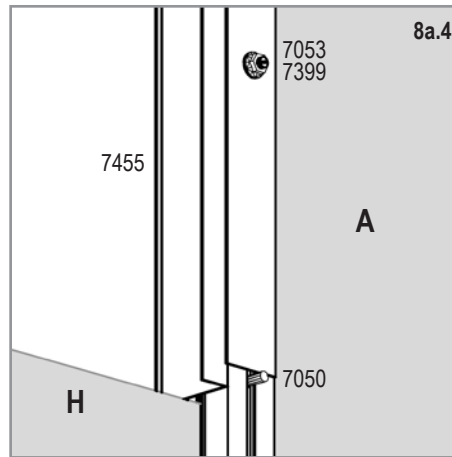
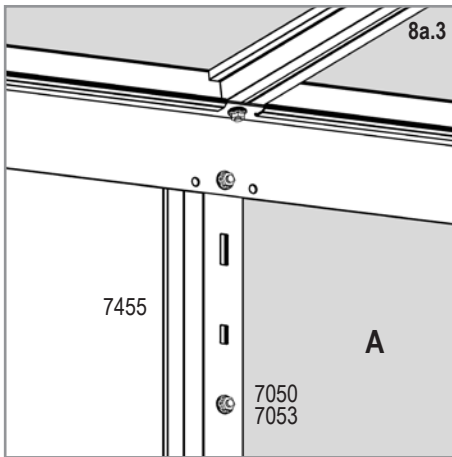
All Models

6056 2x 3	
7053 4x 3	
7088 10x 3	
7399 4x 3	
7403 4x 3	
7419 2x 3	
7452 1x 3	
7455 1x 3	
7456 1x 3	



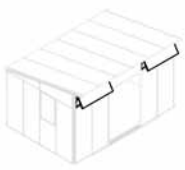
VM0042-A

8a



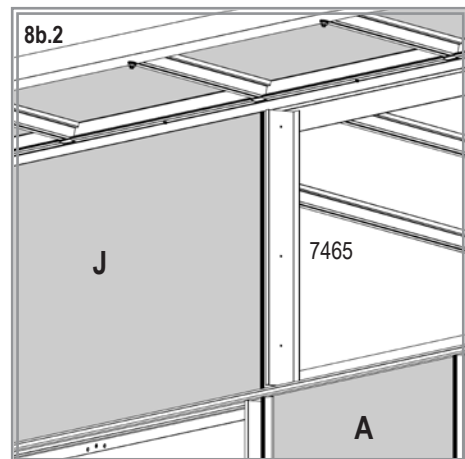
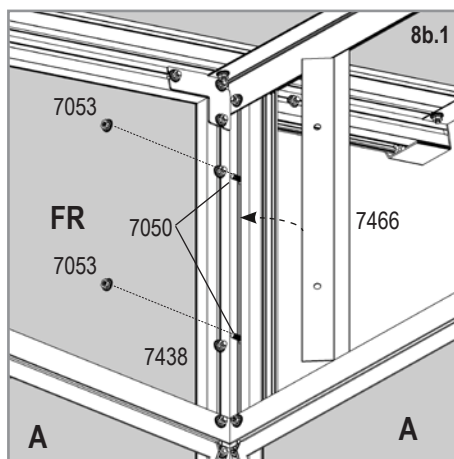
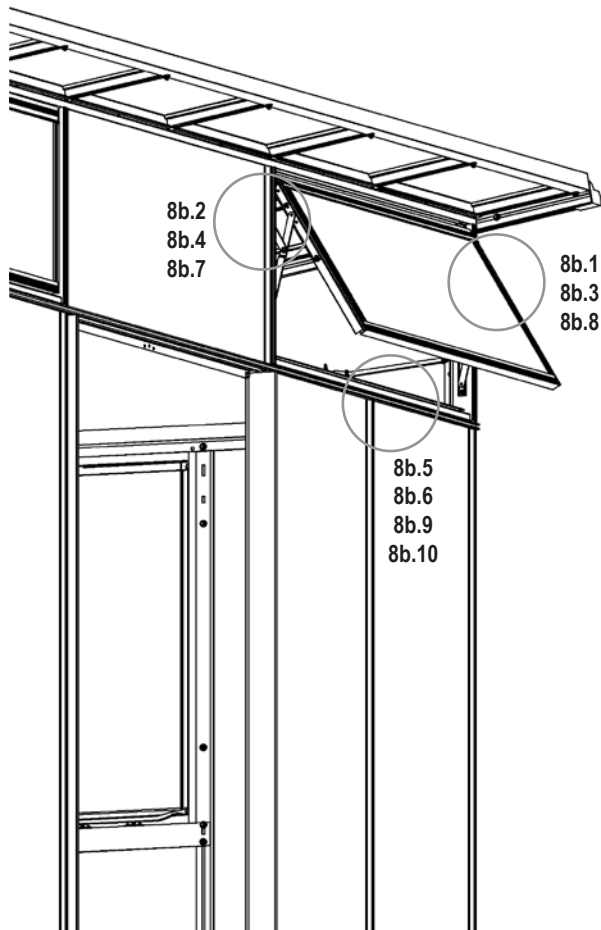
VM0042-A

8b



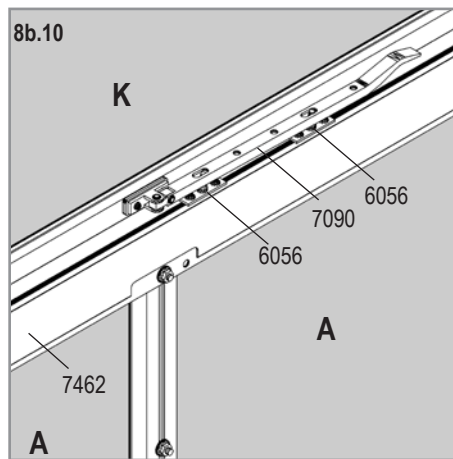
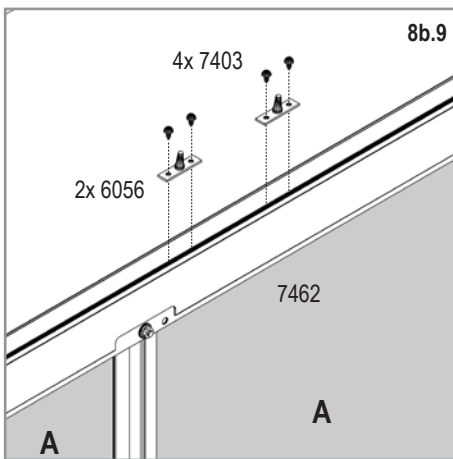
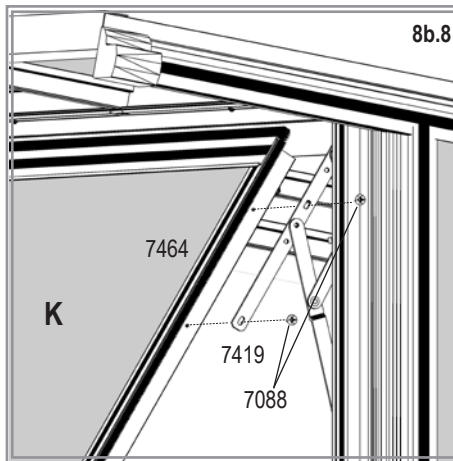
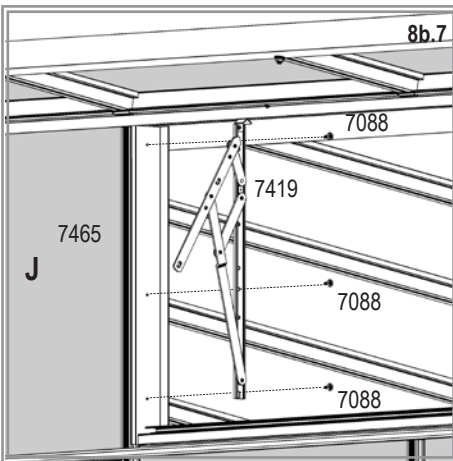
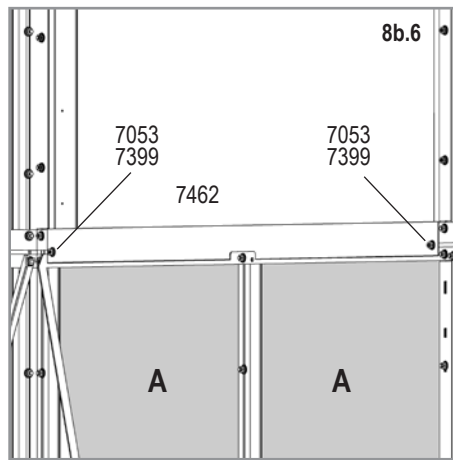
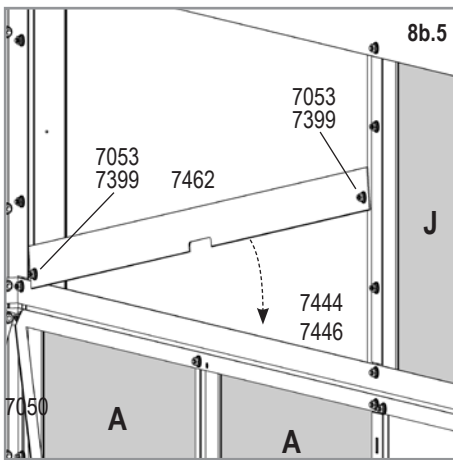
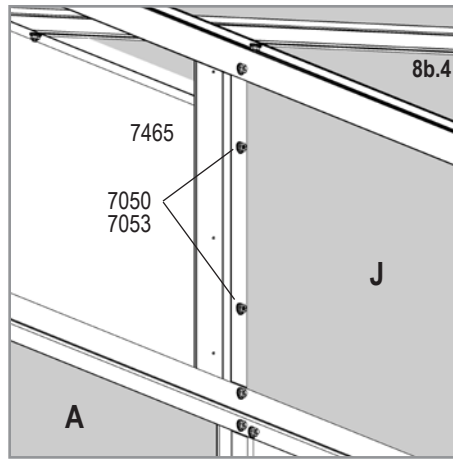
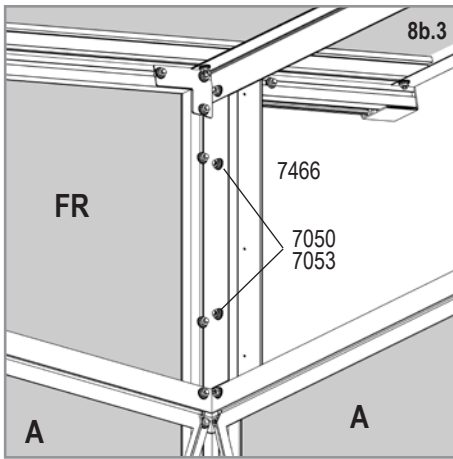
(11500)

7800	11500
1x	2x
6056	
2x 1	2x 2
7053	
2x 1	2x 2
7088	
10x 1	10x 2
7399	
2x 1	2x 2
7403	
4x 1	4x 2
7419	
2x 1	2x 2
7462	
1x 1	1x 2
7465	
1x 1	1x 2
7466	
1x 1	1x 2



VM0042-A

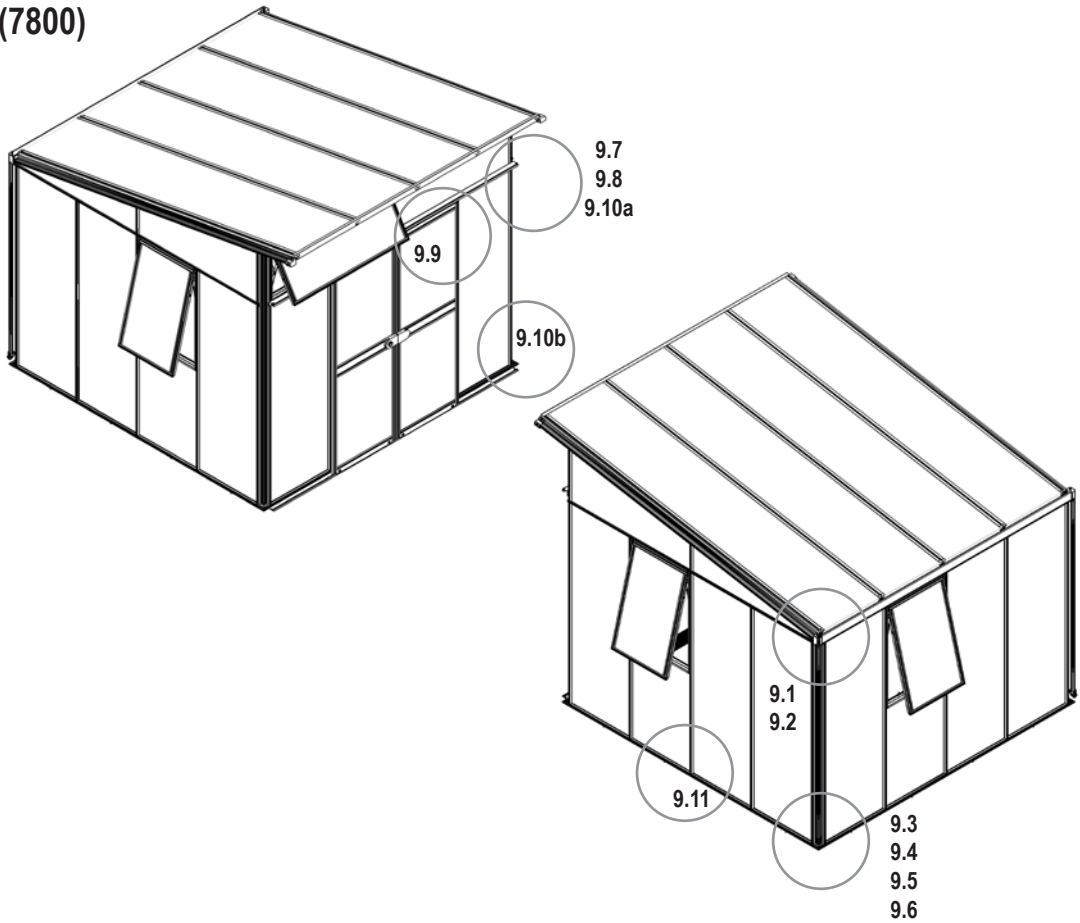
8b



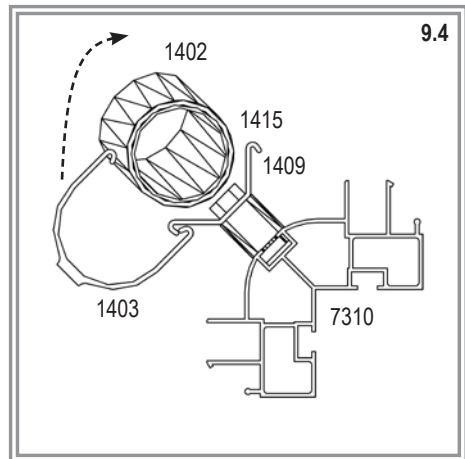
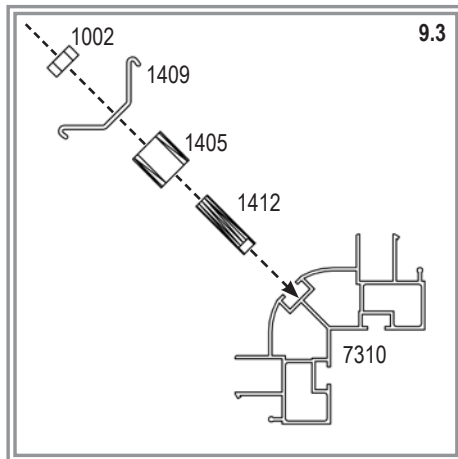
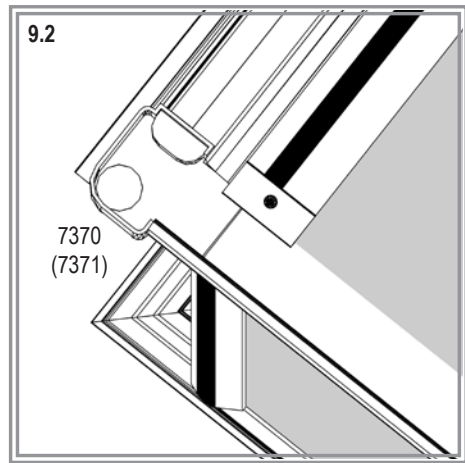
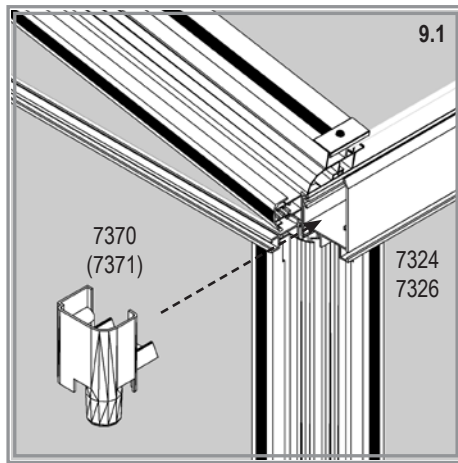
VM0042-A



(7800)

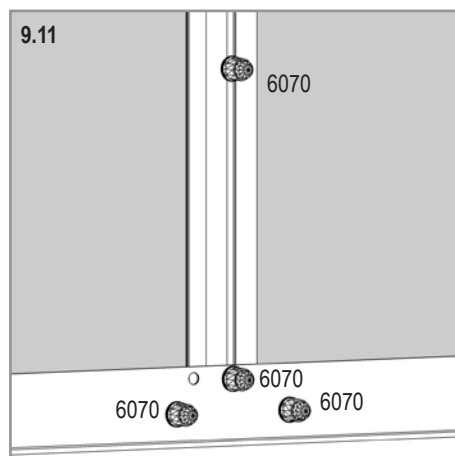
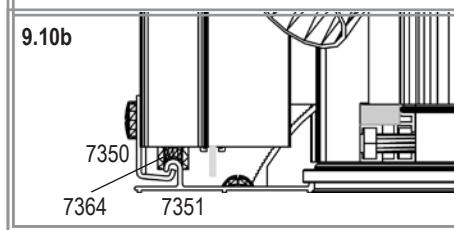
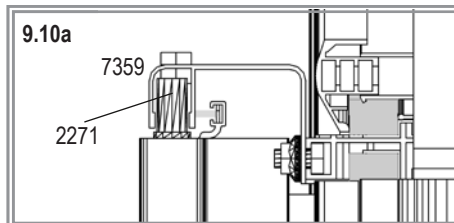
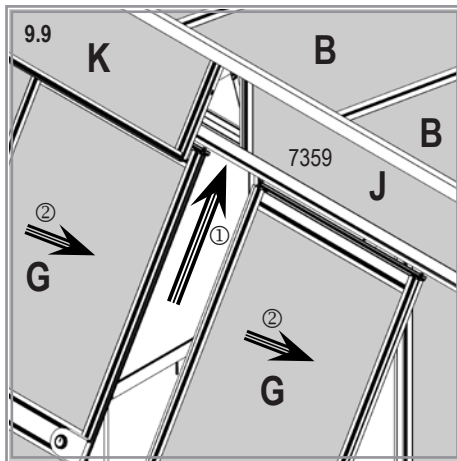
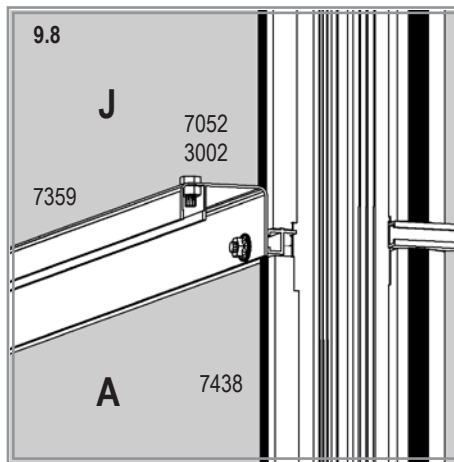
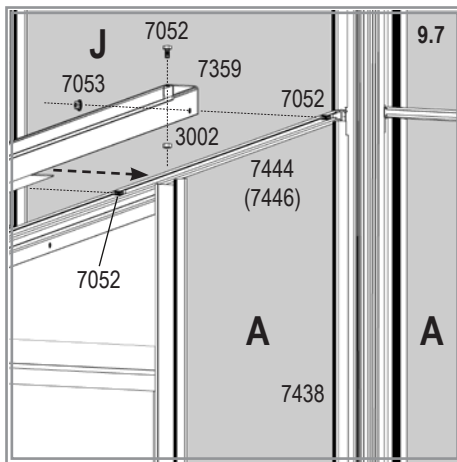
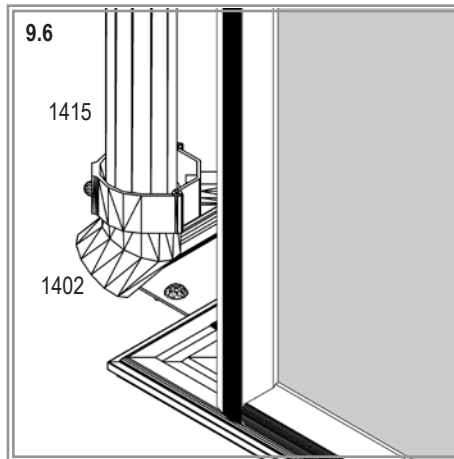
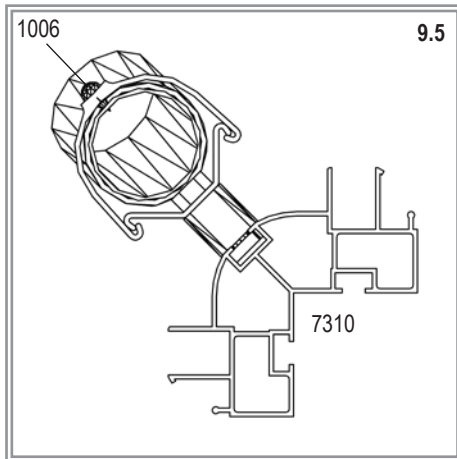


7000	10200
6070	
240x	290x
All Models	
1002 2x	
1006 2x	
1402 2x	
1403 2x	
1405 2x	
1409 2x	
1412 2x	
1415 2x	
3002 2x	
7052 6x	
7053 4x	
7359 1x	
7370 1x	
7371 1x	



VM0042-A

9



VM0042-A



E.P.H. Schmidt & Co. GmbH
Hoefkerstrasse 30
44149 Dortmund
Postfach 170163
44060 Dortmund
Deutschland
Tel.: +49 231 941655 0
Fax: +49 231 941655 99
www.eph-schmidt.de
verkauf@eph-schmidt.de

OPJ A/S
Volderslevvej 36 A
5260 Odense S
Danmark
Tel.: +45 66 15 10 30
Fax: +45 66 15 00 84
www.opj.dk
opj@opj.dk