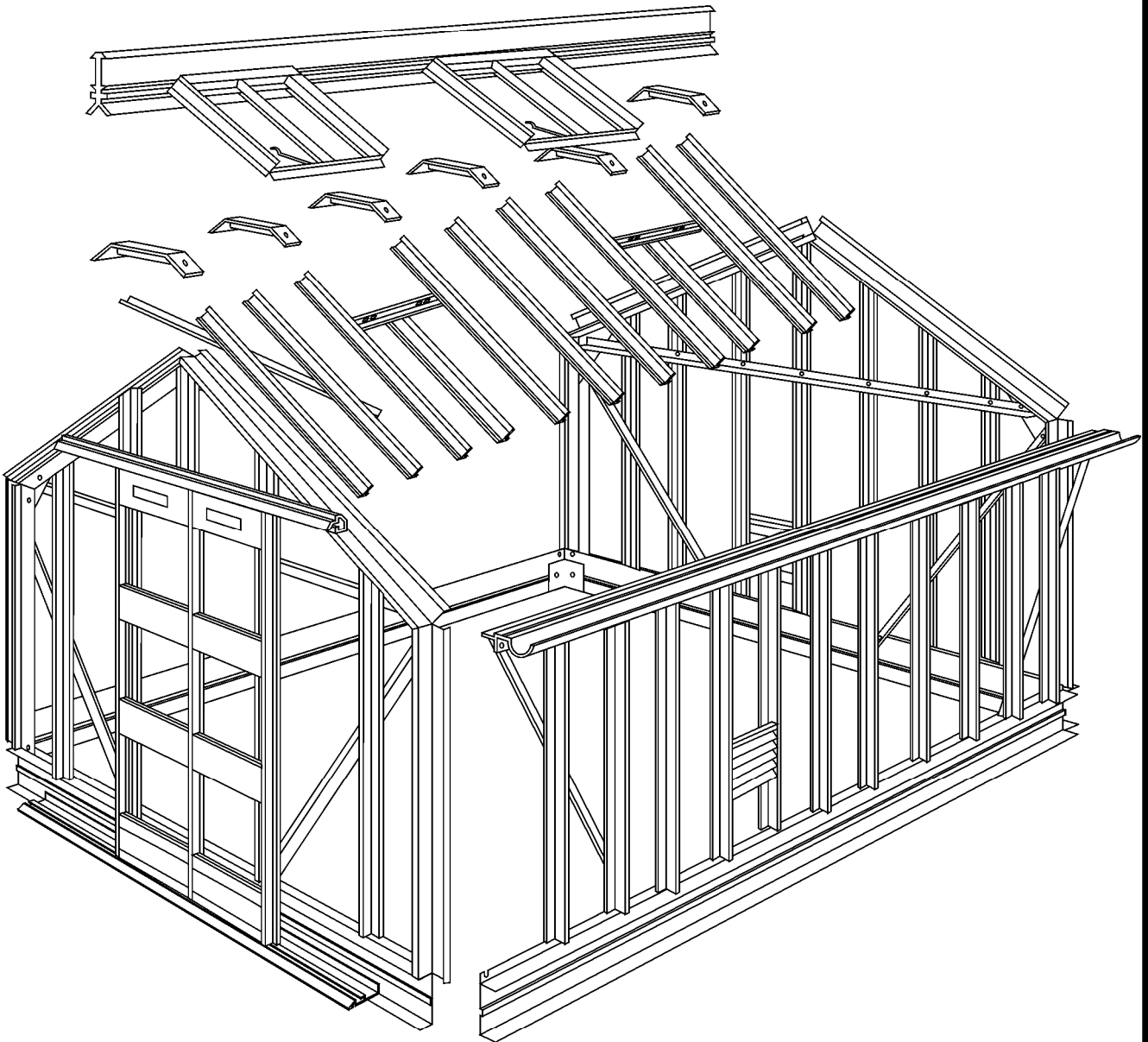




INSTRUCTIONS & ILLUSTRATIONS FOR THE
8'5" WIDE THYME



ELITE GREENHOUSES LTD

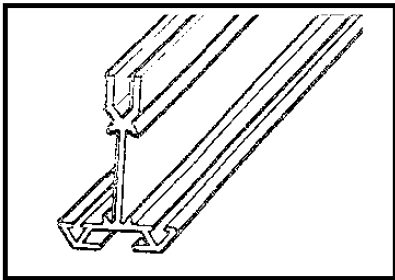
BENT SPUR ROAD, KEARSLEY, BOLTON BL4 8PD

TEL: 01204 791488 FAX: 01204 862412

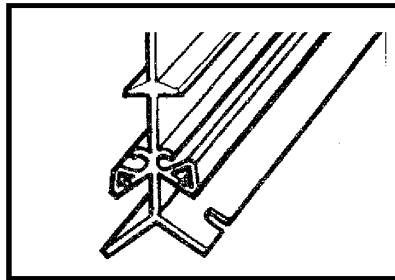
enquiries@elite-greenhouses.co.uk

www.elite-greenhouses.co.uk

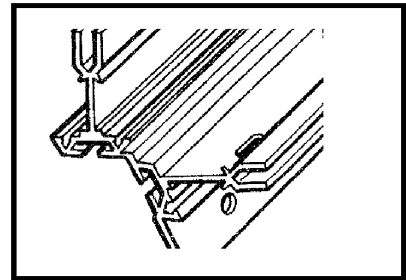
COMPONENT DRAWINGS (NOT TO SCALE)



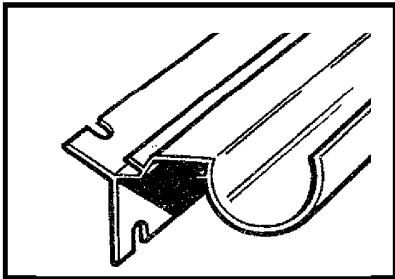
GLAZING BARS



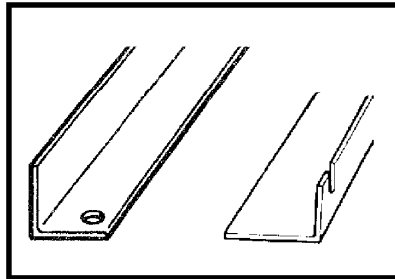
RIDGE



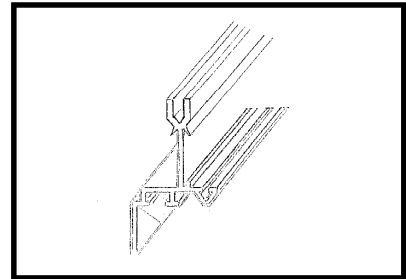
CORNER BAR



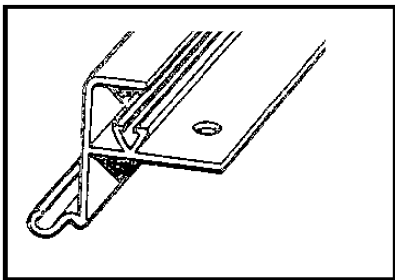
EAVES BAR/GUTTER



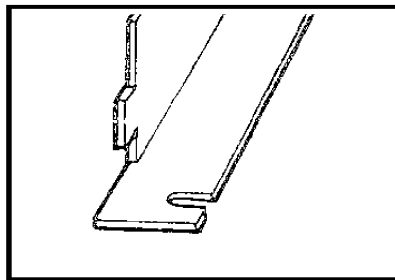
BRACING ANGLE AND SIDE/REAR CILL



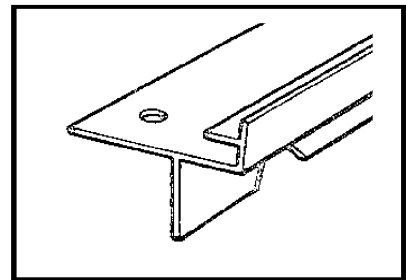
VENT SIDE RAIL



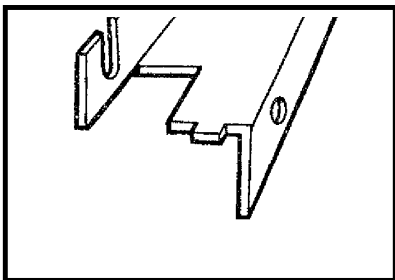
VENT TOP RAIL



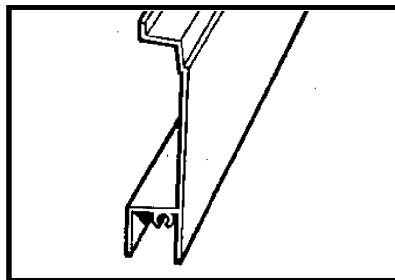
VENT SLAM BAR



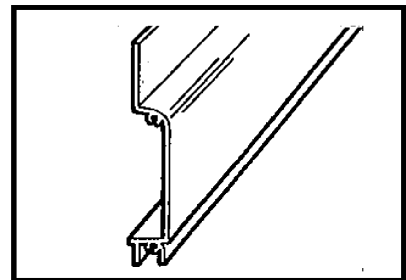
VENT BOTTOM RAIL



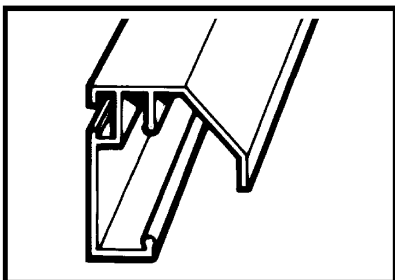
DOOR TRACK SUPPORT



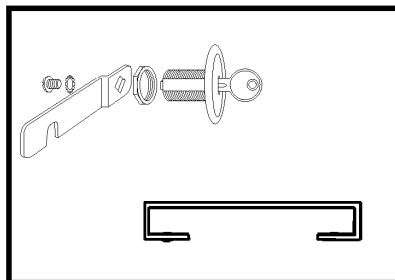
DOOR INFIL PANEL



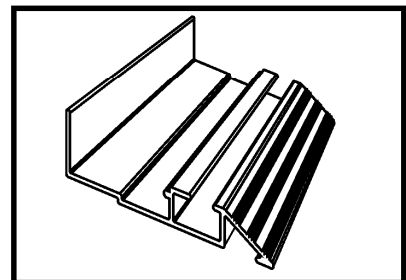
DOOR TOP/BOTTOM PANEL



TOP DOOR TRACK

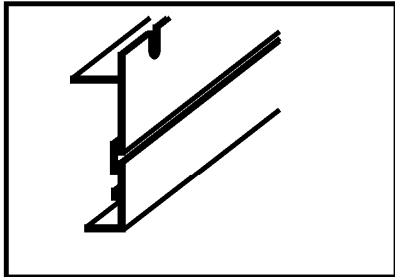


DOUBLE DOOR LOCK + HANDLE

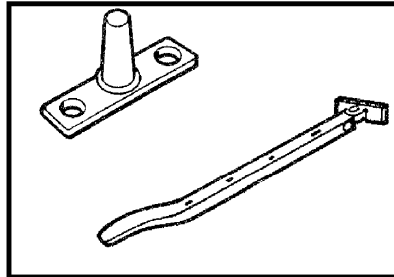


DOOR END CILL

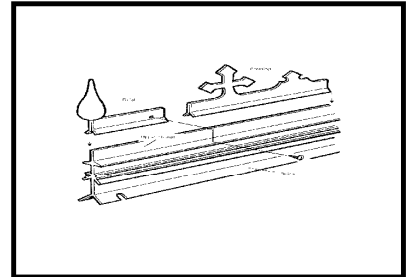
FITTINGS WITHIN THE KIT (NOT TO SCALE)



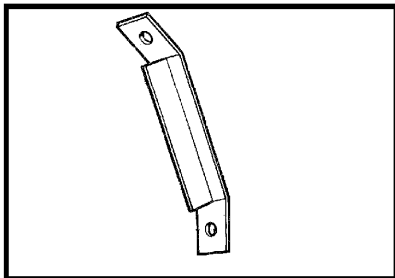
BUILT IN BASE



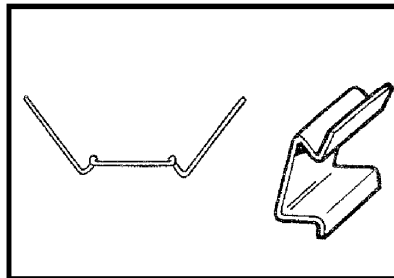
CASEMENT STAY + PINS



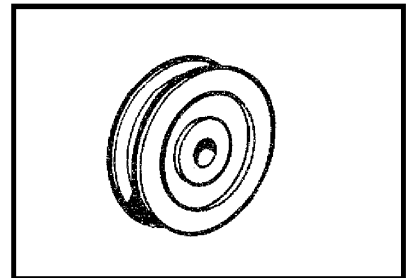
CRESTING AND FINIAL



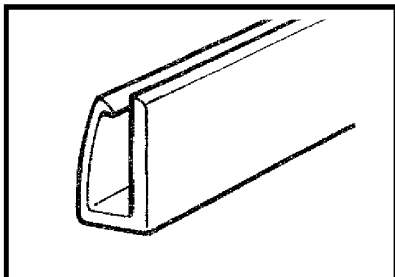
CANTILEVER BRACE



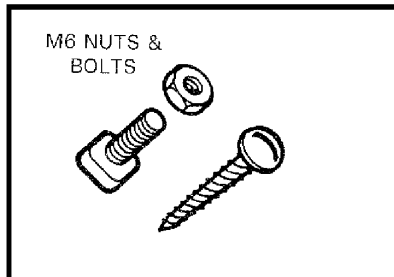
WIRE CLIP AND SPRING CLIP



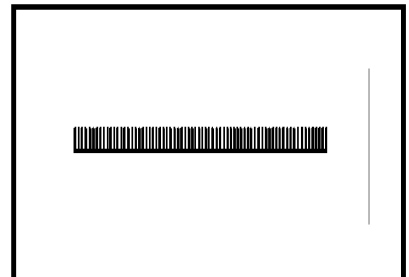
DOOR WHEEL



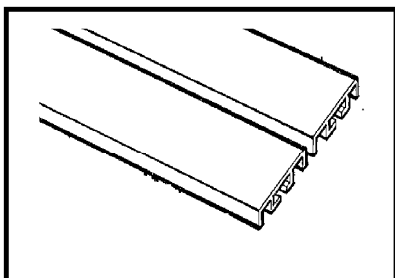
BLACK DOOR SKID



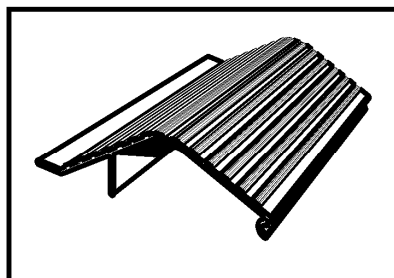
**M6 NUTS & BOLTS
SELF TAPPING SCREWS
SPRING WASHER**



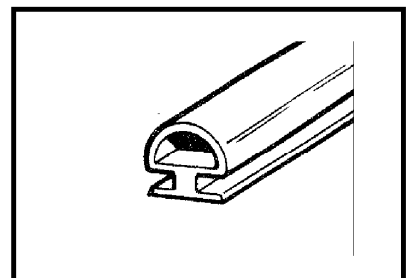
BRUSH DRAUGHT EXCLUDER



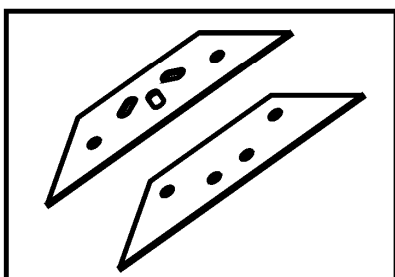
DIAMOND SHELF



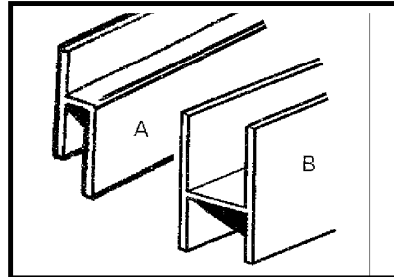
RAMP



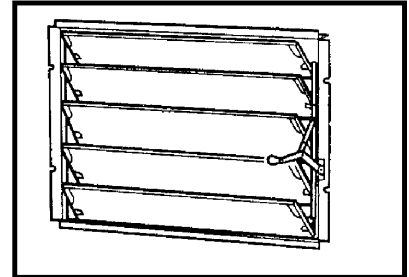
NEOPRENE BEADING



APEX & EAVE GUSSET PLATES



A=MUNTIN B= ROOF SPACERS



5 BLADE LOUVRE

PARTS LIST - BUILT IN BASE MODEL

		6x8	8x8	10x8	12x8	14x8	16x8	18x8	20x8	Partition
1	Nuts & bolts M6	206	241	269	297	332	367	402	437	60
2	Band clips	402	466	530	594	658	732	796	862	80
3	Wire clips	12	16	16	16	20	24	28	32	4
4	Casement stay	1	2	2	2	4	4	6	6	-
5	Stay pins	2	4	4	4	8	8	12	12	-
6	Nuts & bolts (M4)	6	12	12	12	24	24	36	36	4
7	Double door lock + cam	1	1	1	1	1	1	1	1	1
8	Short self tapping screws	28	28	28	28	28	28	28	28	28
9	Glazing beading (metre)	145	171	196	222	248	274	300	326	31
10	Door guides	2	2	2	2	2	2	2	2	2
11	Eave plate	4	4	4	4	4	4	4	4	2
12	Ridge plates	2	2	2	2	2	2	2	2	1
13	Door wheels & fittings	4	4	4	4	4	4	4	4	4
14	Ridge	1	1	1	1	1	1	1	1	-
15	Gutter/eave	2	2	2	2	2	2	2	2	-
16	Rear end built in base	1	1	1	1	1	1	1	1	-
17	Rear end horizontal angle	1	1	1	1	1	1	1	1	-
18	Rear end glazing bar (various)	7	7	7	7	7	7	7	7	-
19	Rear end diagonal angle	2	2	2	2	2	2	2	2	-
20	Corner bars in two packs	8	8	8	8	8	8	8	8	4
21	Door track support	1	1	1	1	1	1	1	1	1
22	Door end glazing bar (various)	5	5	5	5	5	5	5	5	7
23	Door end horizontal angle long/short	2/2	2/2	2/2	2/2	2/2	2/2	2/2	2/2	2/2
24	Door end diagonal angle	2	2	2	2	2	2	2	2	2
25	Door end cill	1	1	1	1	1	1	1	1	1
26	Threshold ramp	1	1	1	1	1	1	1	1	1
27	Door end built in base	2	2	2	2	2	2	2	2	2
28	Unhanded/Handed door post	2/2	2/2	2/2	2/2	2/2	2/2	2/2	2/2	2/2
29	Top door track	1	1	1	1	1	1	1	1	1
30	Top door panel	2	2	2	2	2	2	2	2	2
31	Bottom door panel	2	2	2	2	2	2	2	2	2
32	Middle door panel	6	6	6	6	6	6	6	6	6
33	Diamond shelf for rear end	1	1	1	1	1	1	1	1	-
34	*Side diagonal braces	2	4	4	4	6	8	8	8	-
35	Roof diagonal braces	2	2	2	2	4	4	4	4	-
36	Roof glazing bars	9	12	16	20	22	26	28	32	-
37	Side built in base	2	2	2	2	2	2	2	2	-
38	Cantilever brace (sm/lg)	2/4	3/6	4/8	5/10	6/12	7/14	8/16	9/18	-
39	Side glazing bar	10	14	18	22	26	30	34	38	-
40	Intermediate roof glazing bar	1	2	2	2	4	4	6	6	-
41	Vent (in packs)	1	2	2	2	4	4	6	6	-
42	Base anchors/Corner bracket	4	4	4	4	8	8	8	8	2
43	Bag of fittings, inc plan	1	1	1	1	1	1	1	1	1
44	5 blade louvre	2	2	2	2	2	2	2	2	-
45	Crestingsø & Finials	5/2	7/2	9/2	11/2	13/2	15/2	17/2	19/2	-

*Greenhouses over 12ølongô Side diagonals are taped together (not with gutter/eave)
Gutter/Ridge are taped separately (not boxed)

PARTS LIST—DWARF WALL MODEL

		6x8	8x8	10x8	12x8	14x8	16x8	18x8	20x8	Partition
1	Nuts & bolts M6	206	241	269	297	332	367	402	437	60
2	Band clips	402	466	530	594	658	732	796	862	80
3	Wire clips	12	16	16	16	20	24	28	32	4
4	Casement stay	1	2	2	2	4	4	6	6	-
5	Stay pins	2	4	4	4	8	8	12	12	-
6	Nuts & bolts (M4)	6	12	12	12	24	24	36	36	-
7	Double door lock + cam	1	1	1	1	1	1	1	1	1
8	Short self tapping screws	28	28	28	28	28	28	28	28	28
9	Glazing beading (metre)	145	171	196	222	248	274	300	326	31
10	Door guides	2	2	2	2	2	2	2	2	2
11	Eave plates	4	4	4	4	4	4	4	4	2
12	Ridge plates	2	2	2	2	2	2	2	2	1
13	Door wheels & fittings	4	4	4	4	4	4	4	4	4
14	Rear end cill	1	1	1	1	1	1	1	1	-
15	Rear end horizontal angle	1	1	1	1	1	1	1	1	-
16	Rear end glazing bar (various)	7	7	7	7	7	7	7	7	-
17	Rear end diagonal angle	2	2	2	2	2	2	2	2	-
18	Corner bars in two packs	8	8	8	8	8	8	8	8	4
19	Door track support	1	1	1	1	1	1	1	1	1
20	Door end glazing bar (various)	5	5	5	5	5	5	5	5	7
21	Door end horizontal angle Long/short	2/2	2/2	2/2	2/2	2/2	2/2	2/2	2/2	2/2
22	Door end diagonal angle	2	2	2	2	2	2	2	2	2
23	Door end cut out cill	1	1	1	1	1	1	1	1	1
24	Door end cill (on top of wall)	2	2	2	2	2	2	2	2	2
25	Threshold ramp	1	1	1	1	1	1	1	1	1
26	Unhanded/Handed door post	2/2	2/2	2/2	2/2	2/2	2/2	2/2	2/2	2/2
27	Top door track	1	1	1	1	1	1	1	1	1
28	Top door panel	2	2	2	2	2	2	2	2	2
29	Bottom door panel	2	2	2	2	2	2	2	2	2
30	Middle door panel	6	6	6	6	6	6	6	6	6
31	*Gutter/eave	2	2	2	2	2	2	2	2	-
32	*Side cill	2	2	2	2	2	2	2	2	-
33	Side diagonal braces	2	4	4	4	6	8	8	8	-
34	Diamond shelf for rear end	1	1	1	1	1	1	1	1	-
35	*Ridge	1	1	1	1	1	1	1	1	-
36	Roof diagonal braces	2	2	2	2	4	4	4	4	-
37	Side glazing bar	10	14	18	22	26	30	34	38	-
38	Intermediate roof glazing bar	1	2	2	2	4	4	6	6	-
39	Roof glazing bars	9	12	16	20	22	26	28	32	-
40	Roof vent (in packs)	1	2	2	2	4	4	6	6	-
41	Cantilever brace (sm/lg)	2/4	3/6	4/8	5/10	6/12	7/14	8/16	9/18	-
42	Bag of fittings, inc plan	1	1	1	1	1	1	1	1	1
43	5 blade louvre	2	2	2	2	2	2	2	2	-
44	Crestings & Finials	5/2	7/2	9/2	11/2	13/2	15/2	17/2	19/2	-

* Models over 12ølong gutter/ridge + side cills are taped together (not boxed)

HELPFUL HINTS

- Please do take your time and be sure to read all instructions carefully before assembling.
- **HELPFUL VIDEOS ARE AVAILABLE ON OUR WEBSITE**
www.elite-greenhouses.co.uk
- Do not assemble frame in high winds.
- The greenhouse frame should be anchored to a permanent foundation. This will not only help secure it against powerful wind but will help prevent breakage of the glass caused by the freezing and thawing process of the earth.
- When building your own brick/concrete foundations ensure that they are level and square otherwise your frame will not be correct and the glass will not fit.
- Be sure all four corners of the constructed greenhouse are square before installing glass, and do not install the glass till the greenhouse is on a permanent foundation.
- Do not place your greenhouse in vulnerable locations such as under trees, playing areas, etc.
- Children should not play near glass greenhouses.
- REMEMBER: glass is fragile, handle with care!
- Protective eye glasses should be worn.
- Gloves should be worn.
- If your greenhouse is a painted one there are a few 1/8" (3mm) holes in the end of the bars. These are jig holes for painting and have no bearing on construction. **(Key point)**.
- When Powder Coated, the sub-frame assembly packages may slightly differ from the standard alloy finish.
- Powder coated packages are wrapped in polythene tubing so please be careful when opening e.g. Do not run a knife down the sides as you can scratch the paintwork.
- **WHEN CONSTRUCTING A PAINTED MODEL PLEASE TAKE CARE NOT TO DAMAGE THE FINISH BY WORKING ON CONCRETE OR PATIOS.**
- **N.B. This plan covers the entire 8' wide thyme range. The only difference between a 6ft long and an 8ft long for example are a few extra pieces of alloy, glass, nuts and bolts etc. The construction of the sub-frame assemblies is the same but for the purposes of this booklet we have used the 12x8 model as the benchmark. Therefore only one plan is needed.**
- We reserve the right to alter and improve our products.

INSTALLATION INSTRUCTIONS FOR THE 8'5" WIDE "THYME" MODEL RANGE

The contents of this carton are divided into the different frame assemblies that collectively make up the completed greenhouse framework.

It is recommended that each framework assembly is fully completed before moving onto the next.

The contents are as follows:

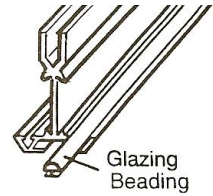
- 1 Two side frames
- 2 Rear end frame (including shelf)
- 3 Door end frame
- 4 Roof vent (number dependant upon length of greenhouse)
- 5 Doors
- 6 Bag of fittings containing:
 - Nuts and bolts (general assembly)
 - Casement stay for roof vent (number dependant upon length of greenhouse)
 - Casement stay nuts and bolts
 - Four eave plates (not in the main bag, but taped up with the casement stay)
 - Two ridge plates
 - Four door wheels
 - Two door guides (these may already be fitted to bottom door panel)
 - Small self tapping screws
- 7 Roof bars
- 8 Coils of glazing beading
- 9 One length of ridge
- 10 Two black brush draught excluders (1 per door)
- 11 Ridge crestings and finials
- 12 Two side louvre vents

For clear identification of parts and the number required please carefully refer to the earlier pages of component drawings and parts list.

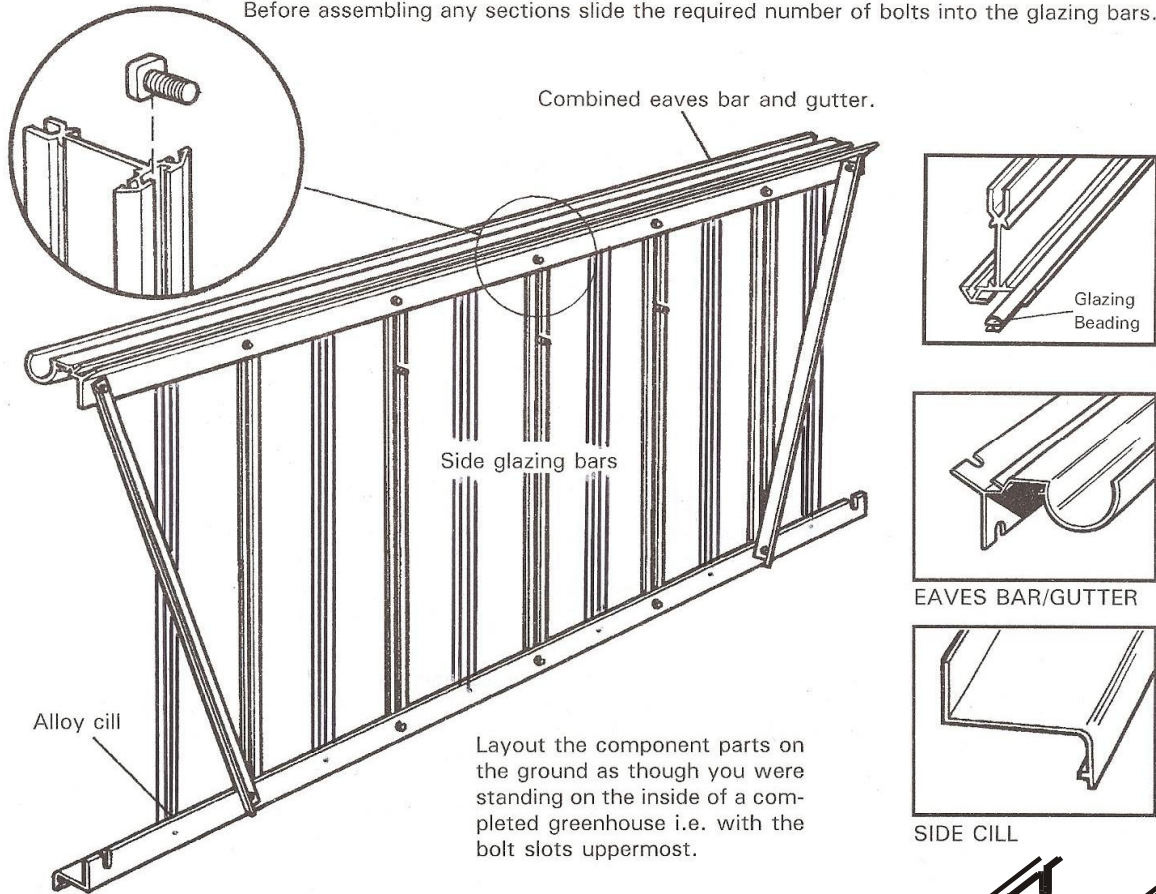
SIDE FRAME ASSEMBLY

When you come to the greenhouse itself, start by assembling the side frames first.

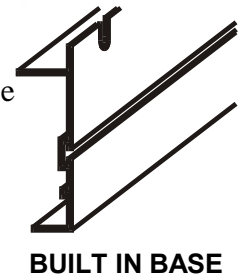
- Slide the glazing beading into both V grooves of all glazing bars. Lay out the pieces on the ground as though you were standing inside the house, i.e. with the gutter and cill facing downwards, and the bolt channels of the glazing bar(s) upwards. For the 12x8 model, you will need 11 side glazing bars for each side. **(Key point).**
- Slide a bolt into each end of each glazing bar. You must decide the position of the louvres. Once decided, you must slide 2 bolts down each glazing bar onto which the louvre will attach. In addition, your greenhouse will come as standard with a cantilever brace to be fitted to **every other** bar. Slide a bolt into each bar that the cantilever will attach. (If you have bought an additional shelf or staging to go in your greenhouse and you intend to fit it on a side wall, use the ½" headed bolts provided with the shelf fittings).
- Fix the combined eaves bar and gutter to the glazing bars by pushing the bolts through the holes in the eaves bar, and securing with a nut. You do not need to tighten the nuts too much at this stage, but they need to be tight enough to stop the bolts slipping out of the glazing bar. N.B. remember to omit two roof bars if you have a partition, one each side (see later detail regarding partitions).
- Fix the side built in base/cill to the middle glazing bar by pushing the bolt through the hole in the built in base/cill and tightening as before.
- If your greenhouse is over 12' long (and built in base model) see description and drawing for how to join the 2 base pieces together (at the end of side frame assembly section on page 9).
- Correctly position the built in base/cill on the outermost glazing bars by pushing the bolts through the holes in the built in base/cill, but do not put the nuts on yet.
- Place the angled tie bar over these bolts so that they point outwards towards the ends of eaves bar. They must be so arranged that the inside angle of the bar in each case faces towards the middle of the house (i.e. the elongated slit will be by the eaves in one case and by the built in base/cill in the other). **(Key point).** The 12x8 model has 2 diagonal tie bars on each side. (14' has 3/side, 16', 18' and 20' long buildings have 4/side).
- Put nuts on bottom bolts and lightly tighten.
- If you plan to fit the greenhouse (Built in base model only) to a hard standing (flags, concrete etc) then insert extra bolts into the bolt channel of the built in base (generally 1 every 2'). These will be used to anchor the greenhouse to the floor later in the assembly.
- In addition, add 1 extra bolt at each end of the built in base. These bolts will be used to attach the corner brackets. **This applies for fitting onto both hard and soft standing.**
- Do the same with the other side frame assembly.
- Make sure that the glazing bars reach both the built in base/cill and the eaves in each case.
- Tighten all nuts. **(Key point).**



Before assembling any sections slide the required number of bolts into the glazing bars.



If you have the built in base model, then the side cill above is replaced by a side built in base section.

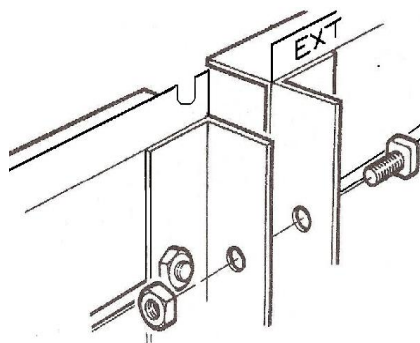


BUILT IN BASE MODEL ONLY

If your greenhouse is over 12øö in length, you will need to attach the side built in base sections together to form the length of your greenhouse. You will notice that you have 4 side built in base pieces, 2 of which will be un-fabricated at 1 end. These 2 sections are handed sections and must be fitted to the correct side assembly.

The un-fabricated end of the base will be joined to the unhandled base section as shown below. It is essential that the un-fabricated end is towards the middle of the greenhouse side assembly and not at one of the ends.

To attach the 2 built in base pieces together you must attach 2 base legs back to back, bolt them together and attach the vacant end of each base leg to the bolt channel of the base section as shown. Your gutter and ridge section will be in one piece and will not need to be joined (except where greenhouse is over 20øö- see supplementary instructions related to greenhouse extensions).



REAR END ASSEMBLY

Components:

- 1 rear built in base/cill
- 7 glazing bars
- 2 roof corner bars (marked $\text{R}\text{R}\text{ö}$ at the apex)
- 2 side corner bars (unmarked)
- 2 diagonal bracing angles
- 1 horizontal angle brace

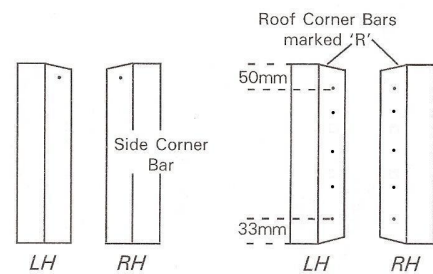
From the main bag of fittings you will require the nuts and bolts

You will also require glazing beading, 2 eave plates and 1 ridge plate

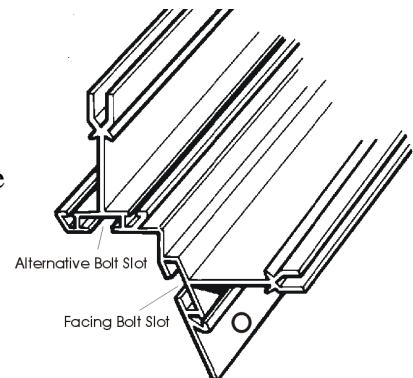
These are packed with the casement stay and are separated from the main bag of fittings

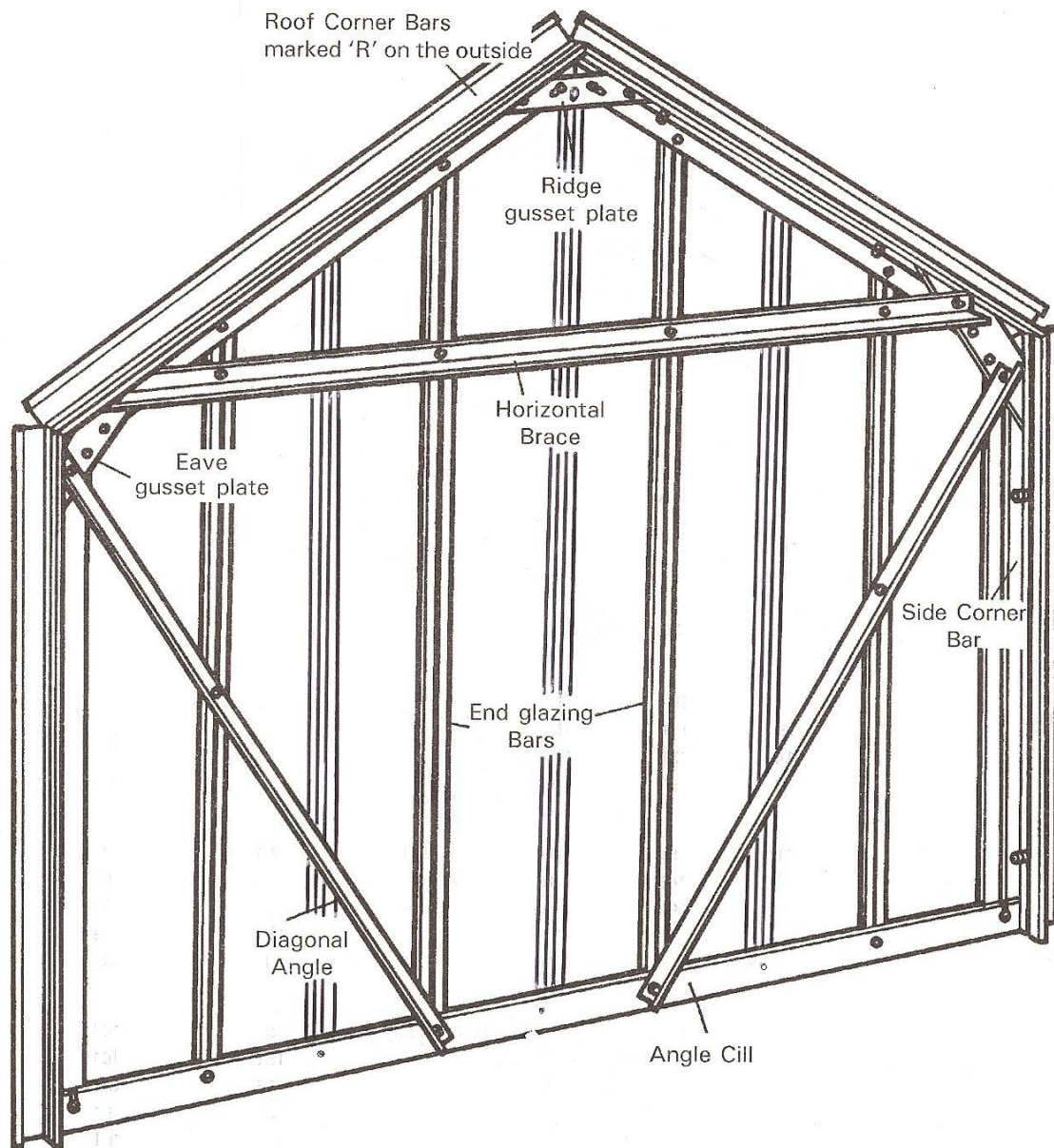
INSTRUCTIONS

Starting with the pack of corner bars marked 'rear end' split the tape holding them together and identify the roof corner bars from the side. The side corner bars have a mitre at one end and a single hole at the same end. The other end of the side corner bar is a square cut. The roof corner bars are mitred at both ends and have 6 holes in the flange and a letter 'RRö' written at the apex on the outside of the bar. If your greenhouse is painted the corner bars will not show the letter 'RRö' but can be identified using the diagram above. (Roof corner bars for Dwarf Wall model are longer than side corner bars.)

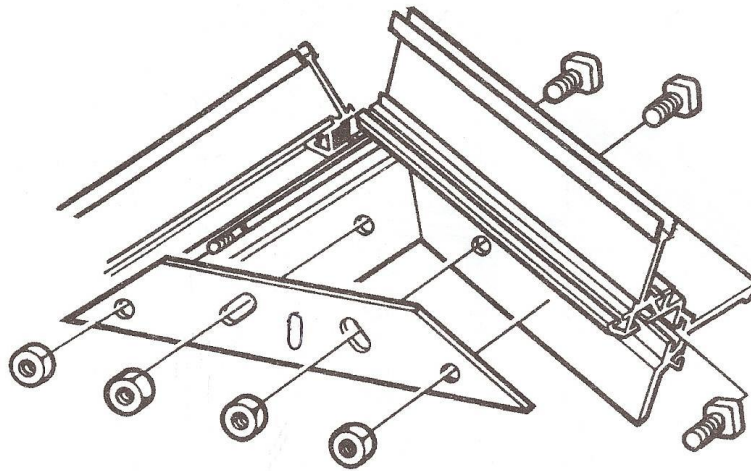


1. The corner bars are also handed, so you must identify the left hand from the right. The diagram above will help to do this. Standing up, hold the one side bar in your left hand and the other in the right. Rotate the bars so that the 2 bolt channels are facing towards you with the mitres at the top (inside view). Viewed this way, the 2 mitres should run down to each other. The roof corner bars can be handed similarly keeping the bolt slots facing inwards and the letter 'RRö' to the top. If you have a painted greenhouse there is no letter 'RRö' on the corner bar. There are 6 holes/slots in your roof corner bar. There is 1 hole at each end of the roof corner bar, 1 with hole centres 50mm and the other with hole centres 33mm from the end of the bar. You must ensure that the hole with 50mm centres from the end of the bar is towards the ridge. The hole with 33mm hole centres is towards the eave. **(Key point)**.
2. Slide the glazing beading into the V groove of all 7 glazing bars and the corner bars. (Do not put beading into the middle slot of the corner bars (unless you have a partition)).
3. Lay out the frame as though you were standing on the inside i.e. with the two bolt slots uppermost. Roof corners marked $\text{R}\text{R}\text{ö}$ at the apex, opposite each other, facing downwards (i.e. $\text{R}\text{R}\text{ö}$ on outside).
4. Slide two bolts (1 at each end) into the alternative bolt channel of each corner bar. These will later be used in the general assembly for fixing the ridge, eave and built in base/cill to the ends.

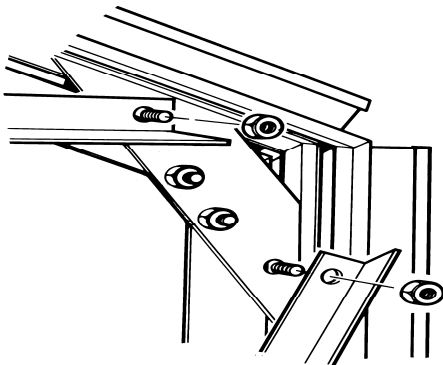




5. Starting at the apex (2 corner bars opposite each other marked R), slide 1 bolt into the facing bolt channel i.e. the one that is facing upwards and at 90 degrees to the non facing bolt slot).
6. Place the ridge gusset plate (larger of the 2 types) over the bolt, then slide left or right until the slotted hole in the plate lines up with the locating hole in the flange nearest the end of the corner bar. Put nuts on and finger tip tight only. Do the same with the other corner bar ensuring that the 2 corner bars are pressed tight up behind the gusset plate.
7. Now moving to the eave gusset assembly, slide one bolt into the facing bolt channel. Place the lower hole of the eave gusset plate over the bolt and move it left or right until the next hole up in the plate lines up with the locating hole at the top of the side corner bar. Place a bolt through the hole and put a nut on finger tip tight. Do not put a nut on the lower bolt yet.
8. Attach the top and 2nd hole in the gusset plate to the roof corner bar, ensuring that both corner bars are tight together behind the plate. (Top hole fixes to facing bolt channel of the roof corner bar). Do not put the nut on the top bolt yet. Repeat the procedure at the other corner with another gusset plate.



9. Attach the rear built in base/cill (marked rear end) to the bottom of the side corner bars by inserting a bolt in the facing bolt slot at the bottom of the side corner bar and then into the pre-fabricated slot in the built in base/cill.



10. Attach the vertical glazing bars to the built in base/cill by inserting a bolt into the bolt channel of each glazing bar and locating it with the punched holes in the built in base. Before securing the nuts attach the angle diagonal ties to the bottom of the 3rd and 5th glazing bar as illustrated on the rear end exploded diagram). The top of the diagonal angle tie now attaches to the **bottom** hole in the eaves gusset plate. **(Key point)**. Do not tighten the nuts that hold the diagonal angles yet.
11. Slide five bolts (4 for dwarf wall models) into the bolt channel at the top of the 1st and 7th vertical glazing bars, four bolts into 3rd and 5th, and 2 bolts into the top of the 2nd, 4th and 6th vertical glazing bars. Secure the last one in each bar to the roof corner bars by inserting the bolt through the punched hole in the flange. Remember, if you are fitting a louvre into the rear gable, you must slide 2 extra bolts down each bar onto which the louvre will be fitted. **(Key point)**.
12. You can now attach the horizontal angle brace to the **top bolt** of the eaves gusset plates and to the top bolts in the glazing bars you inserted, above. The horizontal brace is not bolted to the 2nd, 4th and 6th glazing bar. The remaining bolts will be used to attach the diamond shelf. The shelf can be fitted at any time provided the bolts have been inserted.
13. Check that all angles between the built in base and the vertical members are at right angles and that the glazing bars are right into the built in base at the bottom. **(Key point)**.
14. Tighten all nuts.

SHELF FITTING

The diamond shelf is intended to fit on the rear gable end of the greenhouse. Not only is it very functional, but it adds lots of strength to the greenhouse.

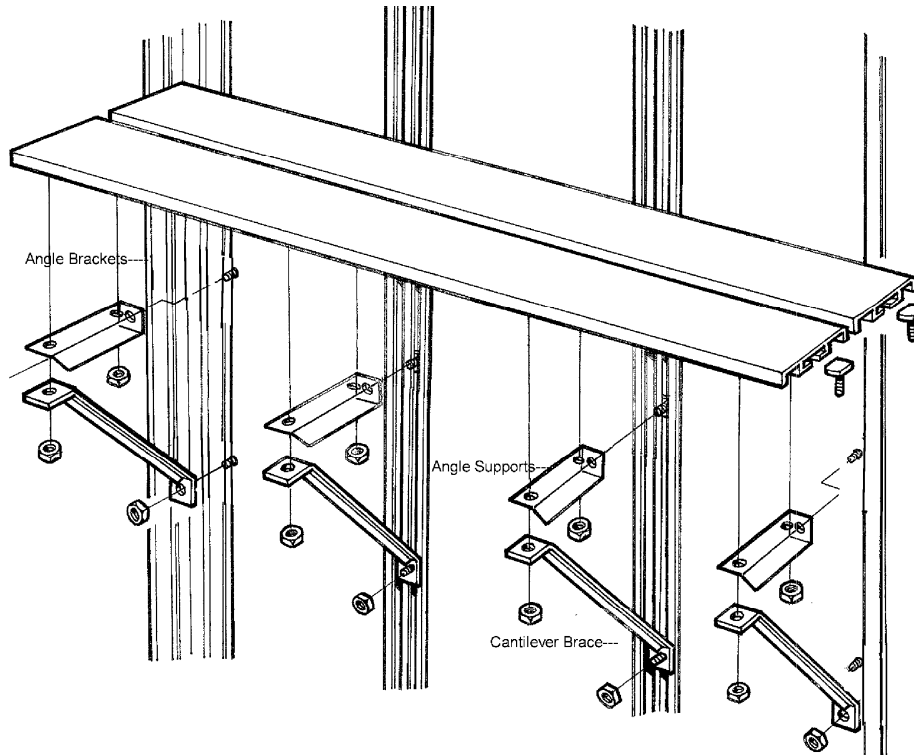
The parts required for the shelf are:

2 shelf top sections

10 cantilever braces x 4

Angle supports with 45° mitre at one end x 4

Nuts/bolts



You must decide the height you want your shelf to be fitted. Fix one of the angle supports to the top unoccupied bolt in the 1st, 3rd, 5th and 7th vertical glazing bar at the desired height (with the square edge against the greenhouse wall, mitred edge sticking out). The angle supports must be exactly the same height.

The shelf is not fitted to the corner bars when fixed to rear of greenhouse.

Attach a cantilever brace to the lower unoccupied bolt in the bolt channel of the glazing bar as shown in the diagram above. Do not attach the other end of the cantilever yet.

The shelf top sections are fitted to the angle supports utilising the bolt channel on the underside of the shelf. Insert a bolt into the bolt channel of the shelf. Move into position where it will line up with the pre-drilled hole in the angle support. Put a nut on and tighten. The cantilever attaches to the angle support and the shelf top section using the same bolt (threaded onto the bolt channel of the shelf top section). Do the same with all of the angle supports for both shelf runners. You will notice that the shelf is approx. 1/2 inch from the back wall. This is to enable the diagonal angle to remain in position.

Where the shelf top sections are joined to form lengths over 8ft the head of the bolt is secured so that it fixes the edge of both joining slats. Only 1 angle support and cantilever is required on the join.

Your shelf is now complete.

DOOR END ASSEMBLY

Components

- 1 Door end cill
- 2 Door end built in base/cills
- 1 Threshold ramp
- 5 Glazing bars of various lengths
- 2 Short horizontal braces
- 2 Medium horizontal braces
- 2 Diagonal bracing angles
- 2 Roof corner bars (marked öRö)
- 2 Side corner bars (unmarked)
- 1 Door track support
- 1 Top door track

From the main bag of fittings you will require the nuts and bolts. You will also require glazing beading, 2 eave plates and 1 ridge plate. These are packed with the casement stay and are separate from the main bag of fittings, unless you have already split this pack for the rear end assembly

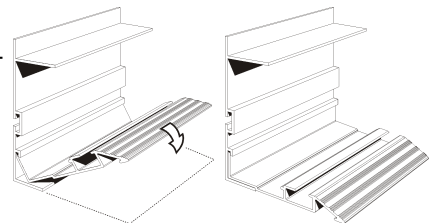
INSTRUCTIONS

Assemble the frame in exactly the same way as the rear end, up to and including stage 8 of the rear end. The door end roof corner bars have 5 holes, not 6.

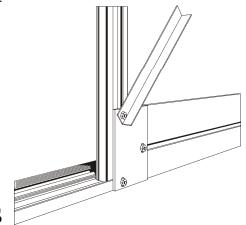
BUILT IN BASE ONLY

Now attach the built in base sections/cills to the corner bars, leaving a space for the door(s) in between.

Now engage the door end cill with the 2 built in base cills by pushing the angle of the cill under the locator as shown in the diagram. At this stage the cill will move freely left and right but will remain located to the built in base cill.



Slide 2 bolts into the bottom of the 2nd and 4th glazing bar and 3 bolts (only 1 if greenhouse to be sited on soft ground) into the free end of each built in base section. Attach the bottom bolt in the 2nd and 4th glazing bar to the hole in the door end cill, but do not put a nut on yet. **Note: the 2nd and 4th door end glazing bars are longer and do not sit on top of the base (as the rear end glazing bars do), they go down the side of the built in base and attach to the bottom cill. (Key point).**



Attach the rectangular plate (with 3 slotted holes) to the 2 bolts inserted in the glazing bars and the last bolt inserted into the base ensuring that the glazing bar is tight down into the angle of the door end cill. Attach the diagonal angle brace to the top bolt of the rectangular plate, and then to the bottom bolt of the eaves gusset plate. The 2 unoccupied bolts in the base sections will be used to anchor the greenhouse to the floor.

Slide 3 bolts down the 1st and 5th glazing bar from the top, and 4 bolts down the 2nd and 4th glazing bar. Secure the last one in each bar to the roof corner bars by inserting the bolt through the punched hole in the flange.

DWARF WALL MODEL ONLY

Attach the door end cills to the corner bars. The door end cills are handed left and right. Each cill has a slot at one end and a tab at the other. The slotted hole fixes to the corner bar.

Slide 4 bolts into the top (mitred end) of the 1st, 2nd and 4th and 5th glazing bar. Attach the last bolt to the prefabricated hole in the roof corner bar. The 3rd shortest glazing bar is not fitted yet. Moving to the bottom of each glazing bar, insert 1 bolt into the 1st and 5th glazing bar and attach to the prefabricated hole in the cill.

Insert 2 bolts into the 2nd and 4th glazing bar. The bottom bolt fixes the glazing bar to the cut out cill. The cut out cill is positioned so that the \varnothing channel to allow doors to slide, is on the outside.

Attach the 2nd bolt to the hole in the tab cill.

BOTH MODELS

Attach the main door track support (shaped like a letter Z) to the 2nd and 4th glazing bars around 60 down the bar as shown. This Z-shaped bar must be fitted with the two outside slots facing upwards (as illustrated) **not** downwards.

Now you can attach the smaller middle (3rd) glazing bar to the ridge gusset plate and the unoccupied hole in the centre of the main door track support. You may need to adjust the position on the door track support to fit to the glazing bar.

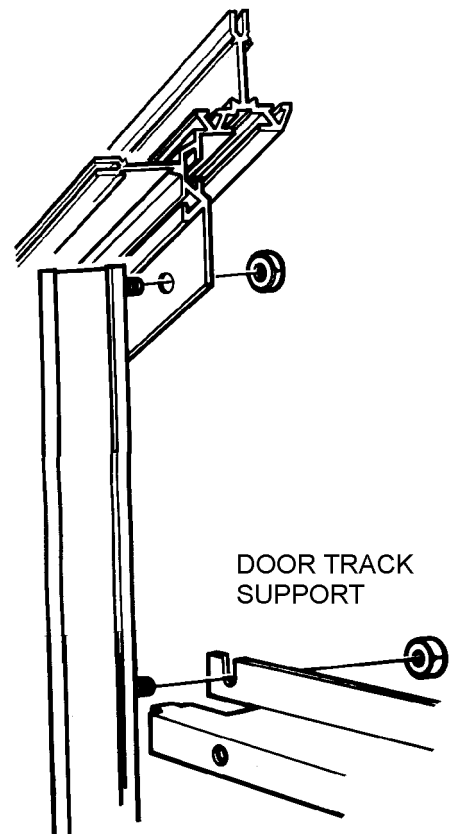
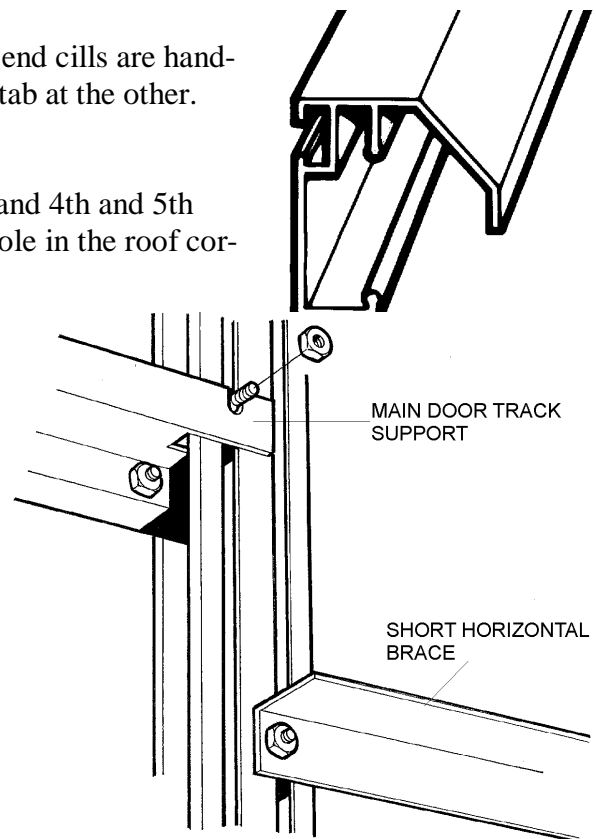
Attach the small horizontal brace to the 2nd bolt inserted in all vertical glazing bars.

The two long horizontal braces can now be attached to the **top bolt** in the gusset plate and the remaining unoccupied bolts in the vertical glazing bars. Shown below in the door end exploded view.

Bolt the main door track to the main door track support by inserting 3 bolts into the bolt channel at the back of the door track. Position these through the 3 holes in the door track support above the door opening. The door track should be positioned centrally. When this has been achieved tighten all nuts.

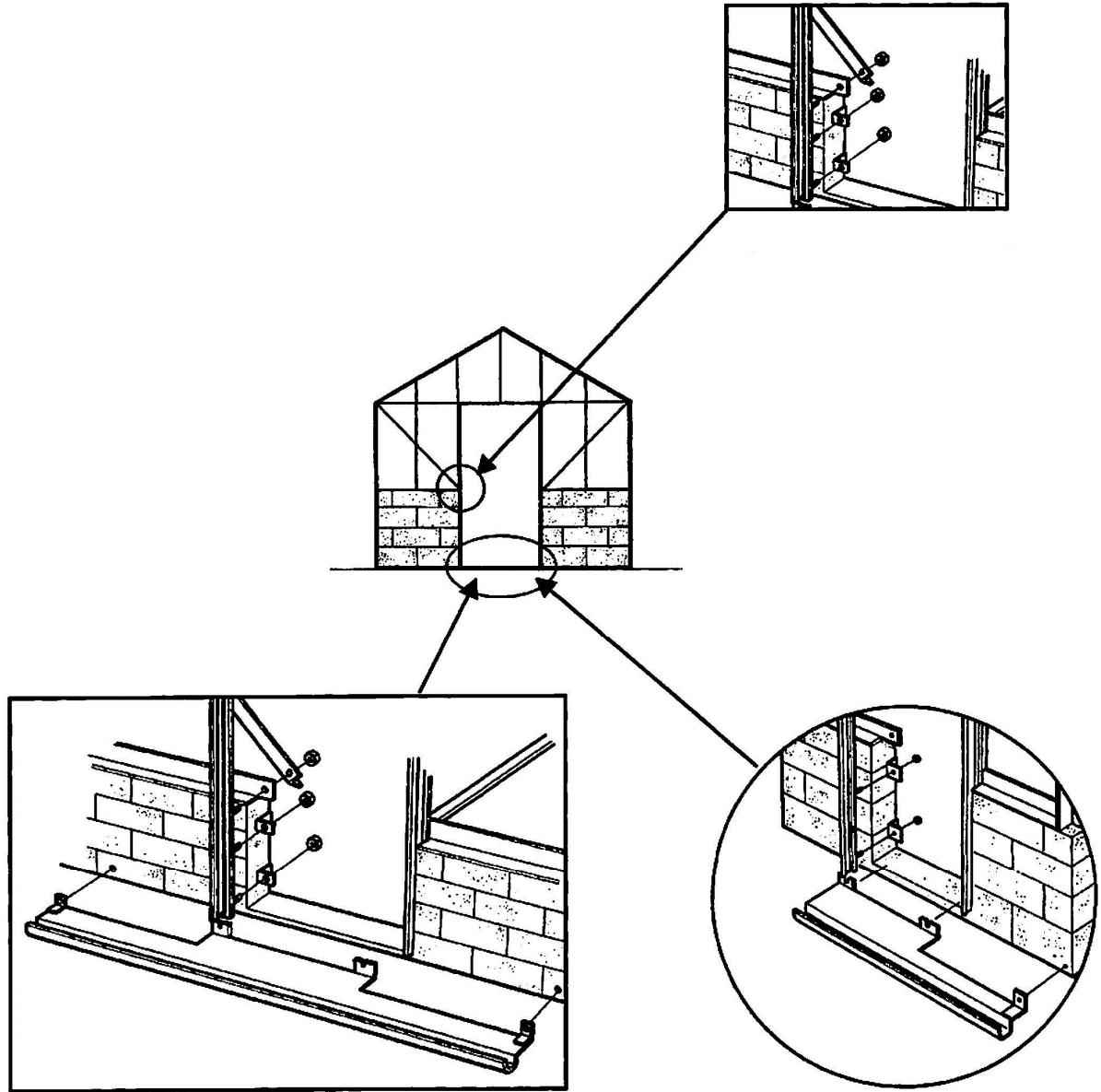
Please note, you only require approx. 200mm of beading in the inside \varnothing groove of the two end glazing bars. This is to allow successful glass fitting above the door.

N.B. Please note carefully the correct position of the main door track support. The slotted holes at either end are facing skywards **not** downwards.



Dwarf wall only.

The bottom door end cill has a section cut out at each end allowing the cill to fit inside the 2 brick pillars. The channel on the cill is outside the brickwork.



Now you can attach the smaller middle (3rd) glazing bar to the ridge gusset plate and the unoccupied hole in the centre of the main door track support. You may need to adjust the position on the door track support to fit to the glazing bar.

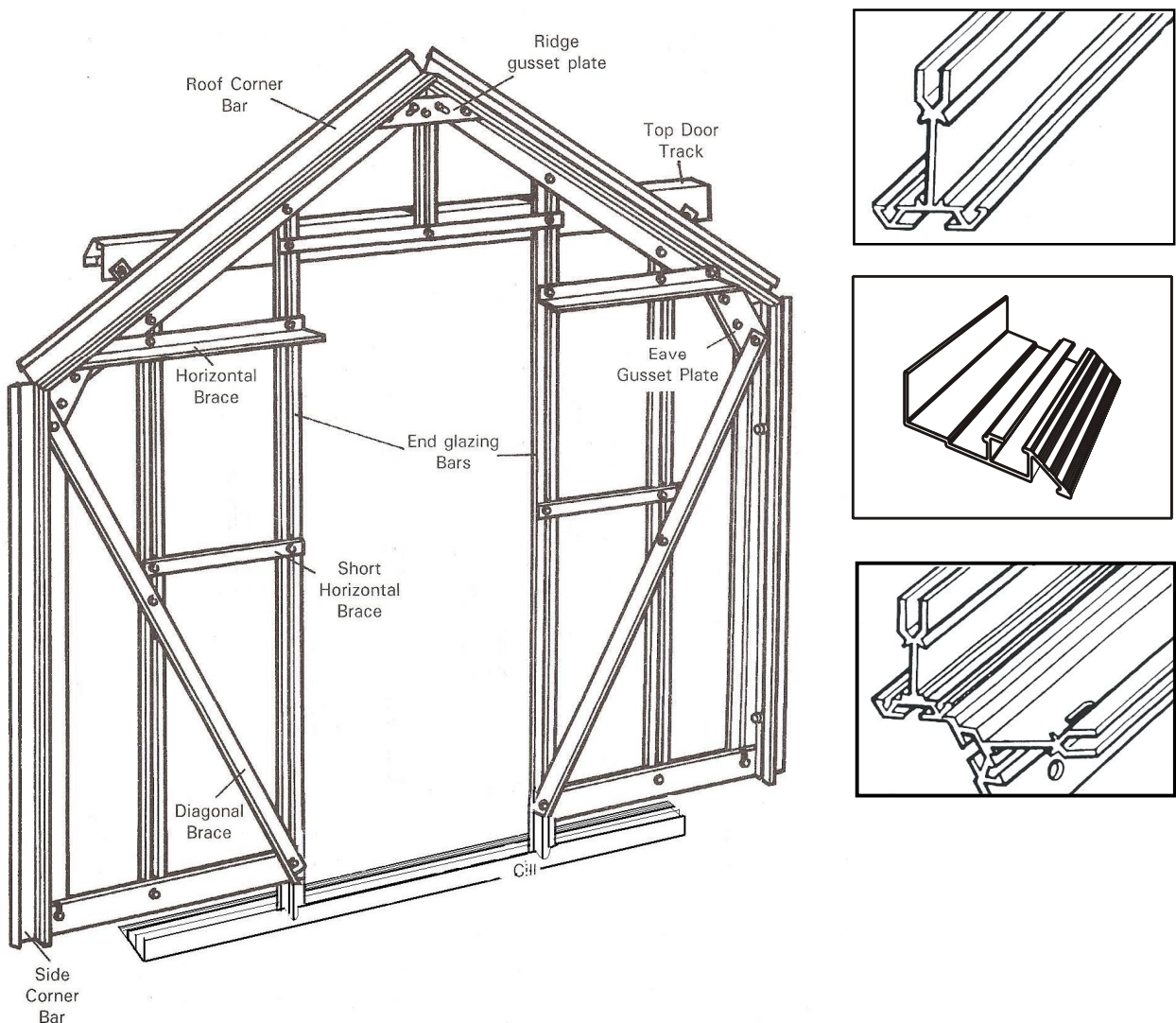
Attach the small horizontal brace to the 2nd bolt inserted in all vertical glazing bars.

The two long horizontal braces can now be attached to the **top bolt** in the gusset plate and the remaining unoccupied bolts in the vertical glazing bars. Shown below in the door end exploded view.

Bolt the main door track to the main door track support by inserting 3 bolts into the bolt channel at the back of the door track. Position these through the 3 holes in the door track support above the door opening. The door track should be positioned centrally. When this has been achieved tighten all nuts.

Please note, you only require approx. 200mm of beading in the inside \varnothing groove of the two end glazing bars. This is to allow successful glass fitting above the door.

N.B. Please note carefully the correct position of the main door track support. The slotted holes at either end are facing skywards **not** downwards.



DOOR FRAME ASSEMBLY

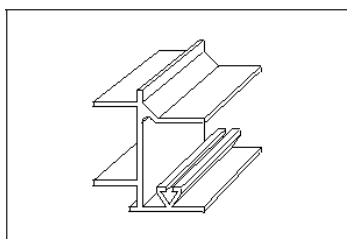
Each Door consists of:

- 1 unhanded door post
- 1 handed door post (handed post for left door is different profile to the handed right hand door post)
- 3 infill panels (1 with prefabricated lock hole) for lock barrel
- 1 top and bottom door panels
- 3 panels of glass which must be fitted during door assembly

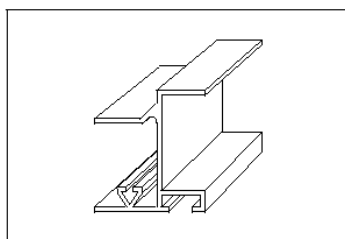
It is not possible to fit glass after the door is built

From the main bag of fittings you require:

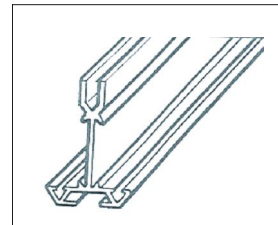
- 2 door wheels
- 1 clip on nylon door skid (this might already be fitted to the bottom door panel)
- 2 lengths of black brush draught excluder with PVC carrier
- Door lock, self tapping screws and spring washers
- 12Ø glazing beading
- Door handle
- 3 PVC Glass strips



HANDED DOOR POST
RIGHT HAND DOOR




HANDED DOOR POST
LEFT HAND DOOR



UNHANDED
DOOR POST

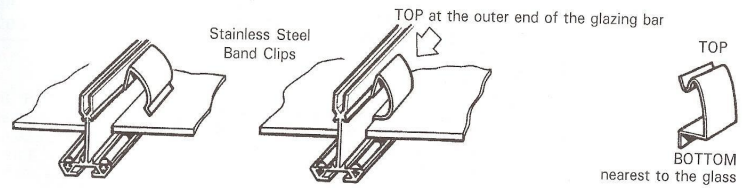
Left hand Door (viewed from outside)

Identify the correct door posts. The handed door post for the left hand door has a bolt channel, whereas the handed door post for the right hand door post does not. **(Key point).**

1. Place one unhanded post and the handed post for left hand door on a level surface roughly two feet apart with the bolt slots facing downwards. (Unhanded door post on the left, handed door post on the right). The top of each side post has two screw holes in it, the bottom has three. **(Key point).** Slide the glazing beading into the groove of each bar i.e. only one length of glazing beading per bar.
- 
- Glazing Beading
2. Place the top, bottom and 3 infill panels in position as shown by the position of the screw holes in the side pieces and the panels. The top panel has the greenhouse name on it. The bottom panel has the edge for the door skid to fit on. The lower infill panel locks on to the bottom panel. The infill panel for the left hand door **does not** have a prefabricated hole for the lock barrel.
 3. Fix the left hand door post to the door panels by screwing through the door side pieces into the holes provided in the edge of the panels with the self tapping screws. The screws will go in more easily and without danger of trying to go crooked if you can put a small amount of grease on the screw before assembling the doors. Alternatively, you could insert the screws into the screw eyes of the door panels before assembling the door, this would have the effect of pre-self tapping the panels prior to assembly, making assembly easier.
 4. **GLASS MUST BE FITTED TO EACH DOOR BEFORE THE 2ND DOOR POST IS FITTED—KEY POINT.**

- Before fitting the unhandled door post, offer the glass panels to the door (see glazing plan in booklet for glass size guide on door), slide them in from the side. Carefully attach the unhandled door post in the same way as before, ensuring the glass is sitting in the correct position (sitting on the beading channels of the door posts) before tightening the screws.

- Make sure all angles are square and tighten all screws. Now insert 2 glazing clips to the glass on the unhandled door post.



The other side of the door is

clipped using a PVC glass strip (or clip cap). Cut the strip to the correct length and push into the cavity between the glass and the handed door post. The cap when fitted acts as a wedge to prevent movement of the glass. Metal clips are not fitted to this bar.

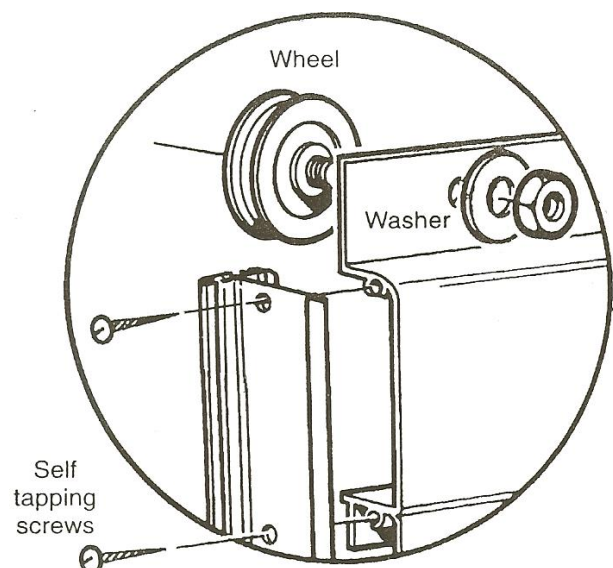
- Fix each door wheel into position by pushing the bolt provided through the centre of the wheel and then through the hole in the top door panel from underneath (i.e. from the inside of the door). Put the washer over the bolt and secure with the nut provided, tightening until there is no movement on the bolt. The nuts are lock-nuts and are harder to put on than normal nuts in general assembly. The wheel will revolve freely because it has ball bearings in it. **The wheel has a collar protruding from the centre, this collar goes against the inside face of the top door panel. (See picture below).**

- Slip the nylon door skids on each of the bottom panels. This may already have been done prior to delivery. After fitting the doors (see later in the booklet), you may need to lower the door skid so that it engages with the bottom door cill to allow smooth movement of the door. Lower the skid on each door and insert a self tapping screw at each end of the skid to reinforce the position.

- Build the right hand door using the remaining handed and unhandled door post. Viewed from the outside, the handed door post will be on the left of the door, while the unhandled door post will be on the right. At this point you must decide the height you would like your door lock. The hole to take the door lock is on the left hand side of the infill panel. You can decide to fit this panel to the 2nd or 3rd panel down. **Make sure you fit the glass before final fixing of the door.** See glazing plan towards the back of this booklet.

- Thread the stainless steel backed brush extruder into the PVC carrier. This may already have been done prior to delivery.

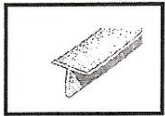
- Turn the doors over and insert the black brush draught excluder in the groove (bolt slot) in the unhandled door posts. Insert a nut and bolt at the bottom of each unhandled door post and tighten so that the brush will not slip down when the door is in its upright position. Cut off the surplus brush and carrier at the top of the bar.



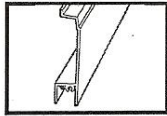
- Do not fit the door to the gable at this stage ó wait until the structure is fully assembled prior to glazing.

- Door handles can now be fitted.

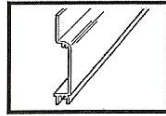
DOOR FRAME ASSEMBLY



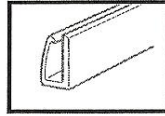
DRAUGHT EXCLUDER



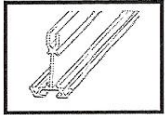
DOOR INFIL PANEL



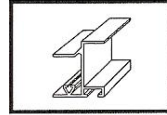
DOOR TOP/
BOTTOM PANEL



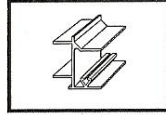
DOOR SKID



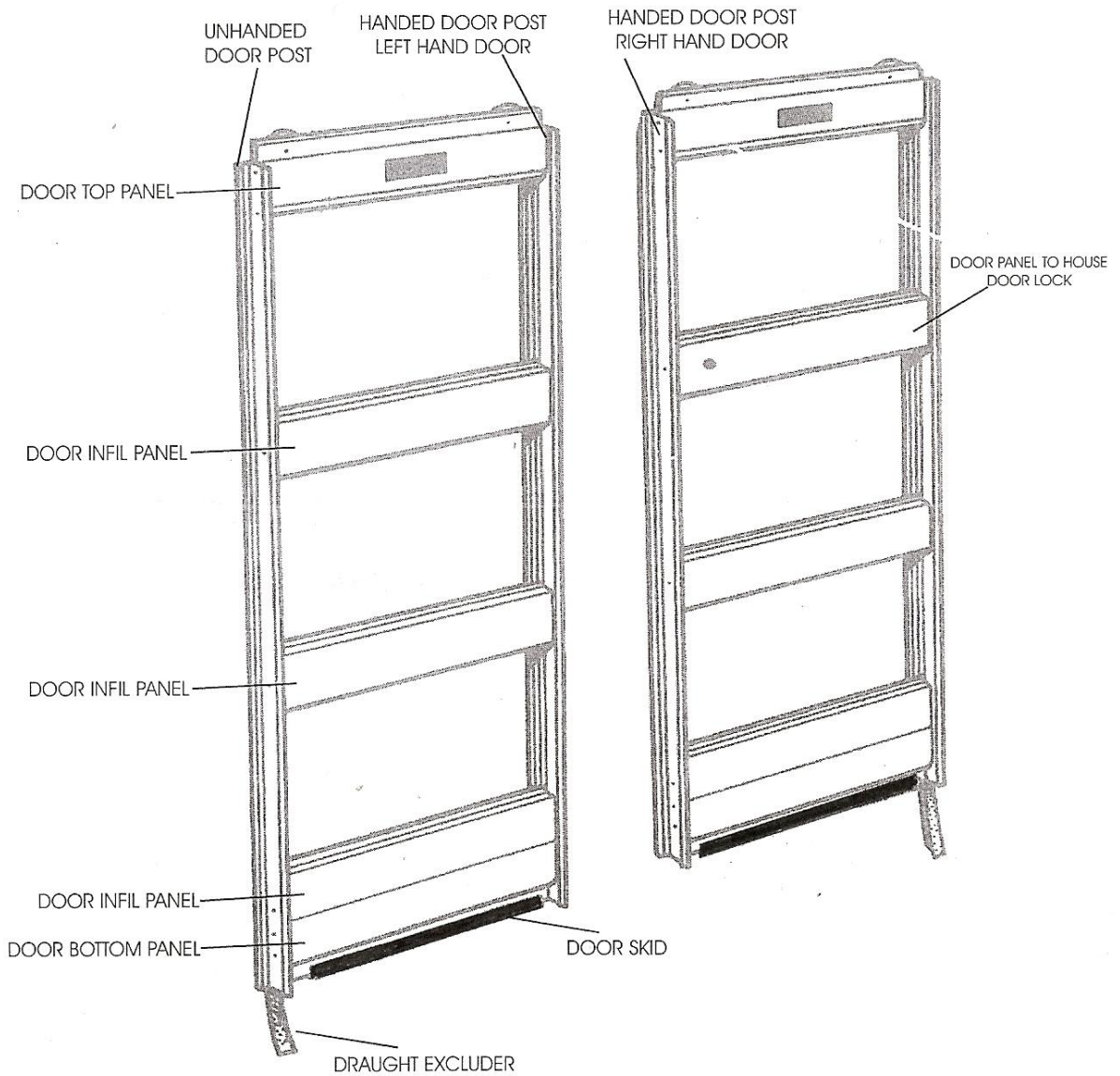
UNHANDLED
DOOR POST



HANDED DOOR POST
LEFT HAND DOOR



HANDED DOOR POST
RIGHT HAND DOOR



ROOF VENT ASSEMBLY

The roof vent pack has 6 pieces of aluminium: and from the main box of fittings you require:

10ø of glazing beading	1 casement stay
6 M6 nuts and bolts	6 M4 stainless steel nuts and bolts
2 casement stay pins	

PROCEDURE:

Identify the slam bar and attach the 2 stay pins to the outer side of the angle using the M4 stainless steel nuts and bolts. The slam bar is a piece of 40 x 25mm angle cropped at each end to accommodate the glazing bars.

Lay the 5 edge pieces of the vent on a level surface as though you were on the inside of the vent (with the bolt slots of the side bars uppermost and the ∇ ø slots of the bottom rail uppermost. The top rail is arranged in such a way that the squared off (this face is notched with a ∇ ø) end is to the bottom and the hooked hinge uppermost).

Slide the glazing beading into the slot in the side and top rails and the intermediate glazing bar and trim to suit.

Insert a bolt into each end of the side rail bolt slots, put these bolts through the holes in the top and bottom rails, add nuts and lightly tighten. Check that all joints are secure and that the vent is square.

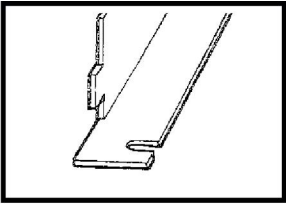
Fit the casement stay using the M4 stainless steel nuts and bolts, putting the bolts through the holes in the saddle of the stay through the 2 elongated holes in the bottom rail. Hold the nuts in place and tighten the bolts with a screwdriver. You must fit the casement stay before fitting the intermediate glazing bar. **(Key point)**.

The intermediate glazing bar can now be attached to the central hole in the top and bottom vent rail.

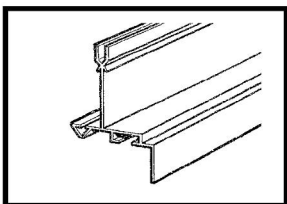
Check that both side rails and intermediate glazing bar are fastened tight to the top and bottom rail and pushed up/down as far as possible. Tighten all nuts.

Do the same with the other vents if applicable.

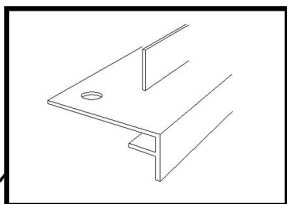
ROOF VENT ASSEMBLY



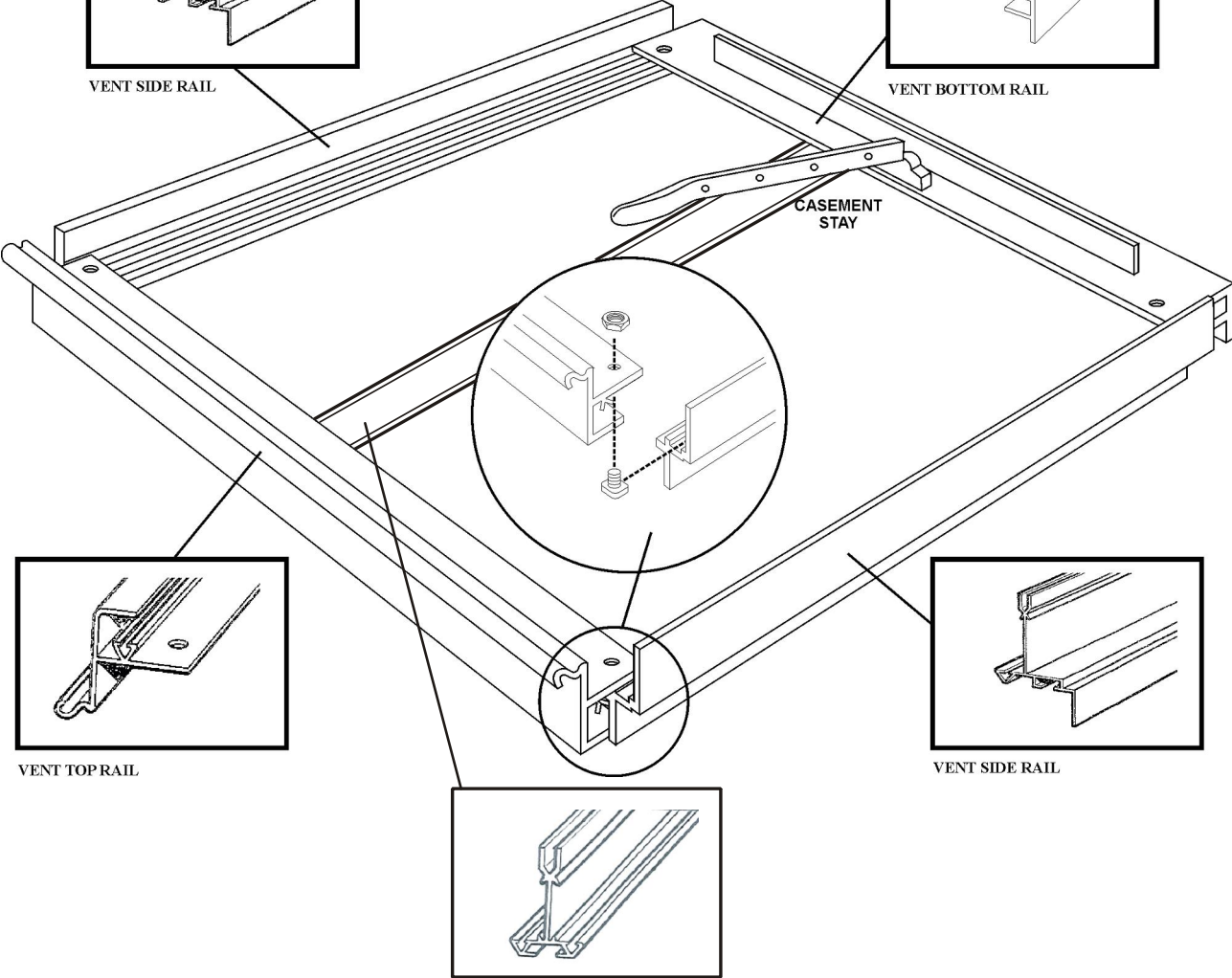
VENT SLAM BAR
(FITTED TO ROOF LATER IN ASSEMBLY)



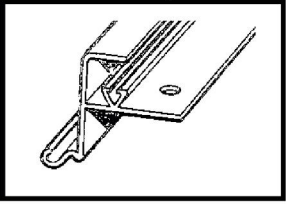
VENT SIDE RAIL



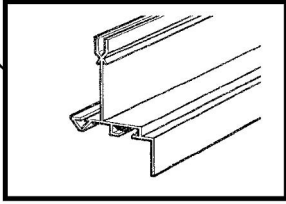
VENT BOTTOM RAIL



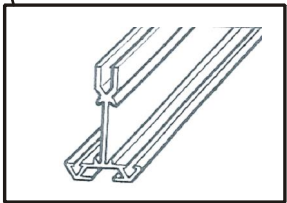
CASEMENT
STAY



VENT TOP RAIL



VENT SIDE RAIL



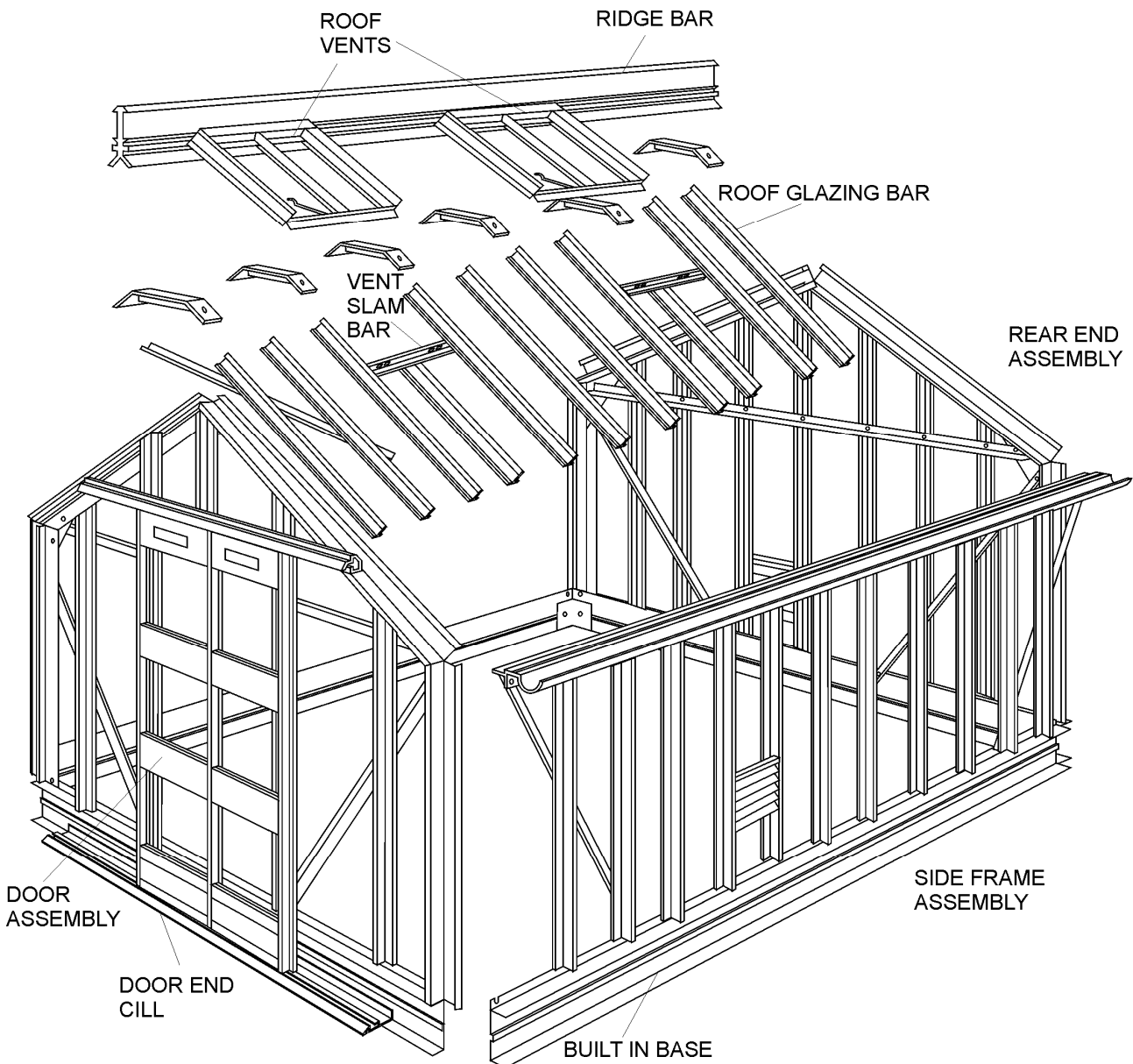
GLAZING BAR

ASSEMBLY OF GREENHOUSE UNIT

If you plan to fit the greenhouse to a soft standing (grass, soil etc) then dig a small hole in each corner (all built in base models), and also at the point where the built in base section joins (models over 12 ϕ). The corner brackets will fit inside the hole and be used as anchor points for your greenhouse to be concreted in after assembly.

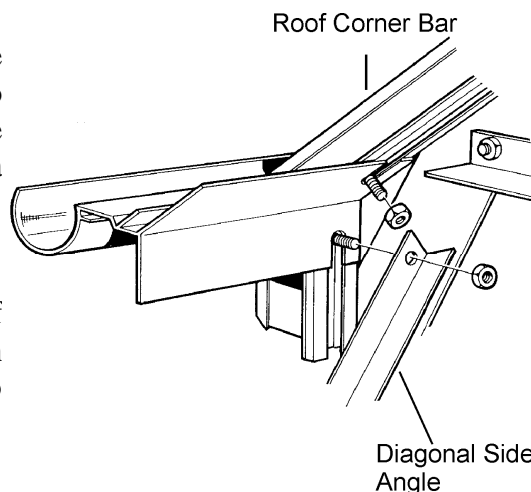
Connect the two side frames to the end frames to form the outer shape of the completed structure. Another pair of willing hands would be useful at this stage. Due to the door end having part of the assembly at a point lower than the rest of the greenhouse, it is necessary to build the subassemblies on to the brick base (dwarf wall model only).

1. Lift the first side frame into its position by the rear end.
2. Slot the eaves bar into the small space between the roof and side corner bar so that the gutter is outside the end frame and the two flanges that form the angle of the roof and side are inside and tight up against the bolt slots of the roof and side corner bar. **(Key point)**.



3. The extra bolts that were inserted in the bolt slots of the corner bars during the gable end assembly can now be used.

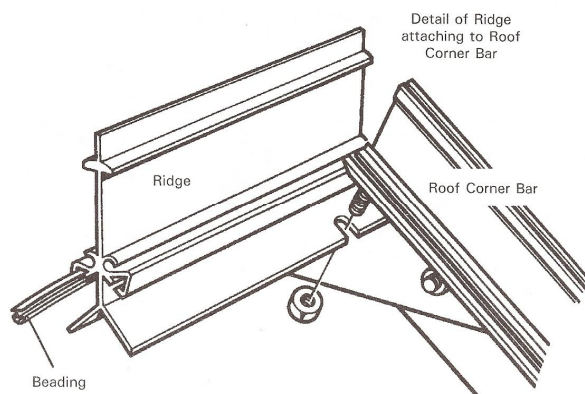
4. Line up the elongated holes in the flanges of the eaves with the bolt slots and slide the bolts into them. Put a nut on the top bolt and tighten up. Place the diagonal side angle onto the bottom bolt, put a nut on and tighten up. **(Key point)**.



5. If fitting to a hard standing (built in base model only) ensure bolts are inserted into bolt channel of base for anchoring down, (1 every 2ϕ). In addition add 1 extra bolt to each end of all base sections to enable corner bracket to be fitted.

6. The bottom cill/built in base attaches to the inside of the corner bar. The bolt placed in the corner bar bolt slot at gable end assembly will slide down into the slotted hole at the end of the cill.

Do the same at the other three corners.



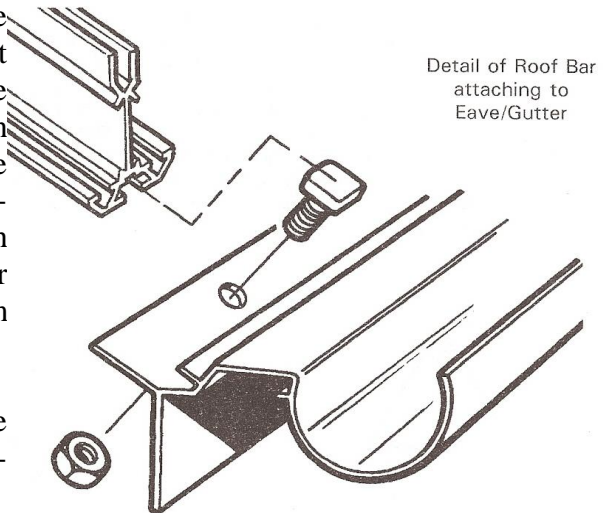
7. Slide the beading into the two V slots of the ridge bar **(Key point)**, then attach the ridge to the roof corner bars by inserting the end of the ridge through the small gap in the corner bars at the top. The vertical part of the ridge will be outside and pointing skywards and the two flanges that form the angle of the roof will be inside, tight up against the bolt slots of the roof corner bars.

8. Line up the slotted holes at the end of the ridge with the bolt slots in the corner bars and push the two bolts, previously inserted during gable end assembly, into the slots. Put on nut and tighten.

9. Slide the glazing beading into the V groove of the roof glazing bars.

10. Before fitting the roof bars, you must decide on the position of the roof vent(s) and insert 1 additional bolt per bar onto which the vent will be fitted. This bolt will allow the slam bar to be fitted. In addition, your greenhouse comes as standard with cantilever braces on every alternate bar (unless you have purchased additional cantilever bars). For each cantilever bar you must insert 1 bolt into the bolt channel of each roof bar the cantilever will attach to. (Match this to the same bolt position on side assembly). A cantilever is also fitted across the ridge between 2 roof glazing bars, so add an extra bolt to each roof bar that a cantilever will fix to.

11. The roof glazing bars can now be attached to the ridge and gutter. Attach them to the ridge first by sliding a bolt into the bolt slot of the glazing bar, inserting it through the hole in the flange of the ridge. Put a nut on and tighten up. When you have decided the position of the roof vent(s), you must temporarily omit the roof glazing bar which would intersect the vent. This bar is shorter in length and cannot be fitted until the slam bar is fitted.

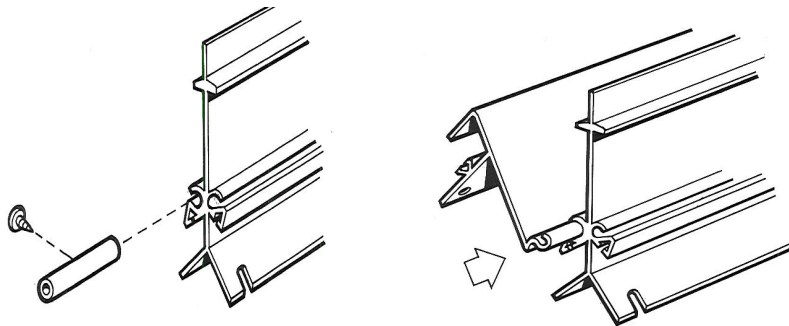


N.B. remember to omit two roof bars if you have a partition, one each side. (See later detail regarding partitions).

12. Then attach the final nut and bolt to the eave bar as illustrated.
13. Secure the cantilever braces to the framework using the nuts and bolts previously inserted during side frame assembly and roof assembly. There are 2 sizes of cantilever brace in your kit. The larger braces fit across the gutter from roof glazing bar to side glazing bar, while the smaller braces fit across the ridge from roof to roof glazing bar.

NOW FIT THE VENT TO THE RIDGE

14. Before sliding the vent onto the ridge, slide a piece of vent tube into the vent hinge socket. Slide the vent onto the ridge from either end and into the desired position.



15. The vent can go in any position (except adjacent) on either side of the ridge. Fit the slam bar immediately under the vent bottom rail and secure with the bolts previously inserted in the roof bars. Now you need to fit the intermediate roof glazing bar from the gutter to the unoccupied hole in the slam bar. The precise position of the slam bar can be determined by inserting the correct pane of glass (see glass plan at the back of this booklet) under the vent and moving the slam bar down to touch the glass.

SQUARING UP

Before anchoring down you must make sure that the structure is level and square. Put one pane of glass in each corner of roof, each pane must be level with the small glass retaining lip just above the gutter and be running parallel with the roof glazing bars. Each corner must be the same. If one corner is out, the corner diagonally opposite will also be out. By carefully pushing and pulling each corner diagonally you will be able to see the frame move in and out of square with the glass.

CORNER BRACKETS (BUILT IN BASE MODEL ONLY)

The corner bracket (approx. 400mm) has 4 holes and 2 slots per bar. The 2 slots are to be secured to the bolt channel of the built in base using the bolts inserted earlier.

For fixing to hard standing, offer the corner bracket to the base with the end of the brackets with 4 holes pointing down. Mark on the bracket where it is level with the bottom of the built in base. Cut off the bracket and discard the end with 4 holes. Fix the remaining part of the bracket to the bolt channels of the base in each corner of the greenhouse.

For fixing on soft standing, attach the bracket in the same way as above, but do not cut. The part of the bracket pointing down will be lowered into the hole in the ground that you have already dug.

PATIO FLOOR

Having established the square of the greenhouse, attach a corner bracket/base anchor onto each bolt previously inserted during base assembly, drill the patio or concrete in the required positions, fit plastic plugs and screw the brackets firmly to the ground using 35mm x 8mm round head screws. (screws and plugs not supplied).

SOIL FLOOR

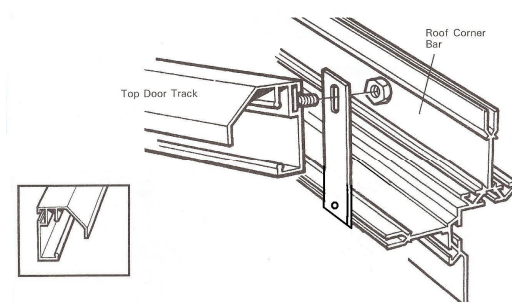
Determine the square of the greenhouse as described above, dig holes approx. 12ö (300mm) in each corner, make a mix of concrete and put a couple of shovelfuls around the base of each stake. When the concrete has gone off back fill with the soil excavated earlier on.

DO NOT ANCHOR DOWN OR CONCRETE UNTIL YOU ARE CERTAIN THE GREENHOUSE (INCLUDING ROOF) IS LEVEL AND SQUARE—SEE ‘SQUARING UP’ ABOVE

FITTING THE DOORS TO THE STRUCTURE

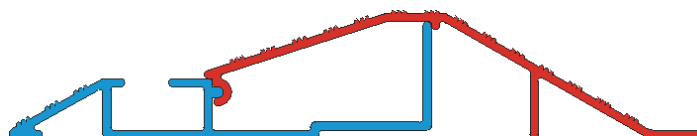
The door slides onto the frame from the left hand side. Install the right hand door first. Put the door bottom rail into the bottom door track and slide to the right, feed the first wheel into the upper door track and move further to the right until the black draught excluder butts up to the end glazing bars. Carefully ease the door past the glazing bar and feed in the second wheel. Push further to the right until the right hand edge of the door is close to the edge of the top track. Then insert the left hand door in the same way. The doors will now run quite freely. To square up the door with the spacing, undo the upper bolts holding the door track. There is a little play to facilitate fine tuning of the door. **(Key point)**. On occasion, you might find it easier to remove the black lock handle to allow the door to move freely into position.

Loosely attach 2 flat bars to the bolt channel of the door track (1 each end) and allow to hang vertically downwards. The flat bar has 2 holes. Attach the larger hole to the door track by inserting a bolt into the channel of the track. Now slide the flat bar along the door track until the point that the smaller hole of the flat bar meets the self tapping screw groove of the roof corner bar. If you are happy that the doors are running smoothly, insert a self tapping screw into the smaller hole of the flat bar and in turn into the self tapping groove and tighten. Repeat on the other end of the door track. This attachment will support the weight of the doors when they are in the open position.



FITTING THE RAMP

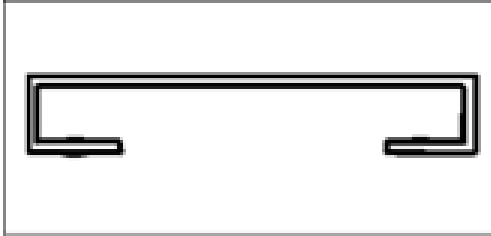
The final aluminium piece of the greenhouse is the door end ramp cill. The ramp is attached to the door end cill by engaging the nub of the door end cill to the $\text{C}\emptyset$ groove of the ramp. The ramp is now rotated to horizontal. Drill a hole at each end approx. 20mm in from the end of the ramp and into the floor. Plug and screw.



If you are fitting onto soft ground, you must ensure that a solid material is underneath the ramp to avoid damage when you step on the ramp to enter the greenhouse. You can lay a row of bricks sunk to ground level, a concrete flag, a piece of aluminium base pressed into the ground to ground level or something similar. You can then screw the ramp into the support material for a secure fixing.

FITTING THE DOOR HANDLES

The handles are fitted to the infill panel on each door (choose between 1st or 2nd panel down). Position the handle centrally, and mark the hole position. Drill 7mm diameter holes (2 holes per door), then fit the handles, and secure with a nut and bolt.



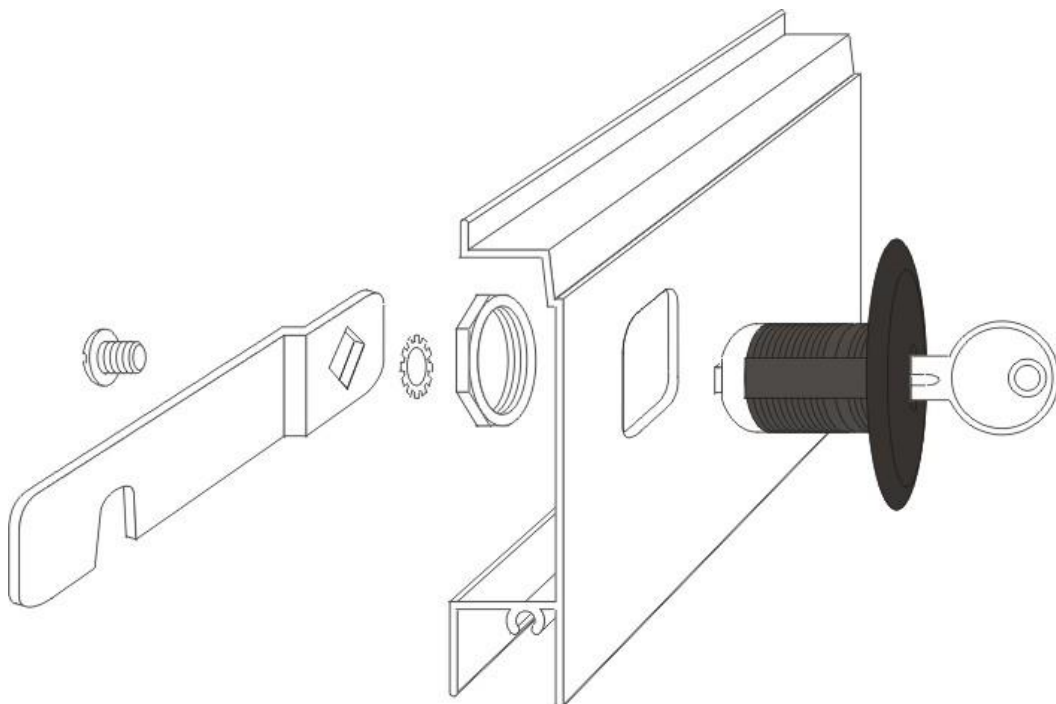
DOOR HANDLE

FITTING THE DOOR LOCK

The door lock must be fitted after the doors are in position (**Key Point**). Undo the ring bolt from the door lock, and insert the barrel through the hole in the panel from the outside. Reattach the ring bolt to the barrel on the inside, and tighten.

Now attach the cam lever, washer and screw to the door lock from the inside position of the door. The lock will turn through 90 degrees both ways, so you must ensure the cam (when fitted) is pointing skywards (unlock position) and horizontal (locked position).

Now using a cropped head bolt, attach the domed pin to the bolt channel of the handed door post on the left hand door (viewed from outside). Move the pin up or down in the channel so that the notch on the cam locates comfortably when horizontal. Tighten all components.



FINISHING OFF

To prevent the door from sliding past its opening, you must fix 4 angle brackets to the door end assembly. Insert a cropped head bolt into the bolt channel at the top of the right hand glazing bar (viewed from the inside) and fix an angle bracket as shown in the picture below.

The bracket must be fitted at the same height as the door panel so that, as the door moves left or right, the bracket prevents the door from moving too far along the top door track.

Repeat at the bottom of the door.

Repeat for the 2nd door.



To facilitate smooth running of the door, fit 1 flat bar at each end of the top door track.

The flat bar has 2 holes of different size.

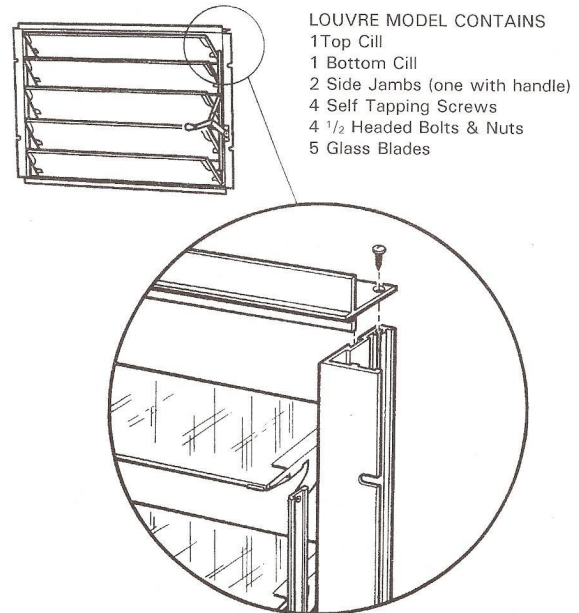
Loosely fix the larger hole to the bolt channel at the back of the top door track using a short bolt and allow the flat bar to hang vertically down.

Move the flat bar along the top door track until the small hole in the flat bar meets the self tapping screw groove in the roof corner bar.

Fix the small hole in the flat bar to the corner bar using a self tapping screw.

5 BLADE LOUVRE

1. Place top cill into position on side jamb of louvre and secure with self tapping screws.
 2. Do same on the other top corner.
 3. Do same with bottom cill.
 4. Please note that the handle is on the right hand side, the above diagrams are viewed from the inside.
 5. To fit the louvre to the side, utilise the extra bolts you inserted during side frame assembly. Insert a glass pane 610 x 457 ref B at the bottom, bolt the louvre to the framework and slide it down so that the bottom cill of the louvre frame is touching the pane of glass. With the louvre in the open position, insert 5 glass blades from the inside. Insert the upper pane above the louvre.
- If you have purchased an automatic louvre opener, consult the fitting instructions inside the automatic louvre box.

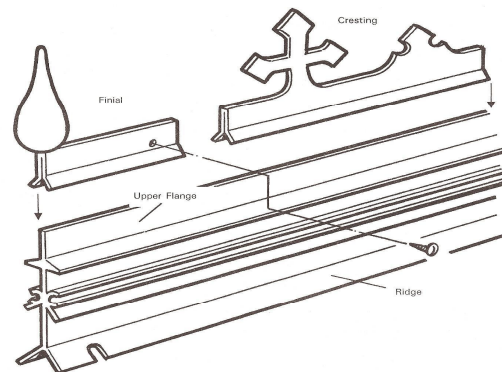


CRESTING AND FINIAL

It is easier to fit the cresting's and finials before glazing. Place the finial onto the upper flange, level with the end of the ridge. The slot in the lower part of the finial sits on top of the upper flange. Do likewise with the cresting.

The other end of the ridge has the 2nd finial fitted in a similar manner to the 1st if this 2nd finial overhangs the ridge by up to 25mm (1ö) you can move the 1st finial and cresting's so there is an equal overhang of 12.5mm (1/2ö). Insert the small self-tapping screw into the pre-drilled holes of the two end finials and tighten until the screw butts up to the upper flange of the ridge, locking the finial in place.

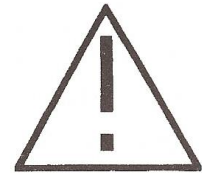
If the overhang of the 2nd finial is greater than 25mm (1ö) you can easily trim the end down with a hacksaw to make a flush finish at the end of the ridge.



GLAZING THE STRUCTURE

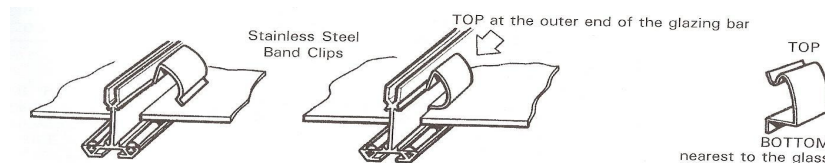
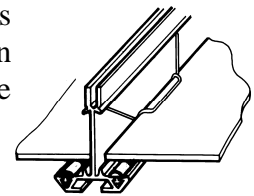
Always handle glass with extreme care as failure to do so can result in injury

Note: If you have bar capping (optional extra), then see additional fitting instructions packed with the capping. **Capping is fitted with a different clip, so read capping instructions BEFORE you start to glaze.**

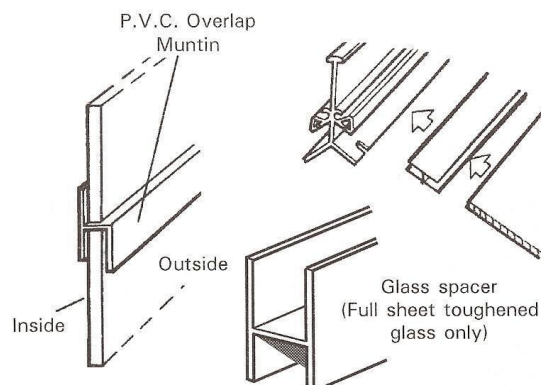


BEWARE OF SHARP EDGES!

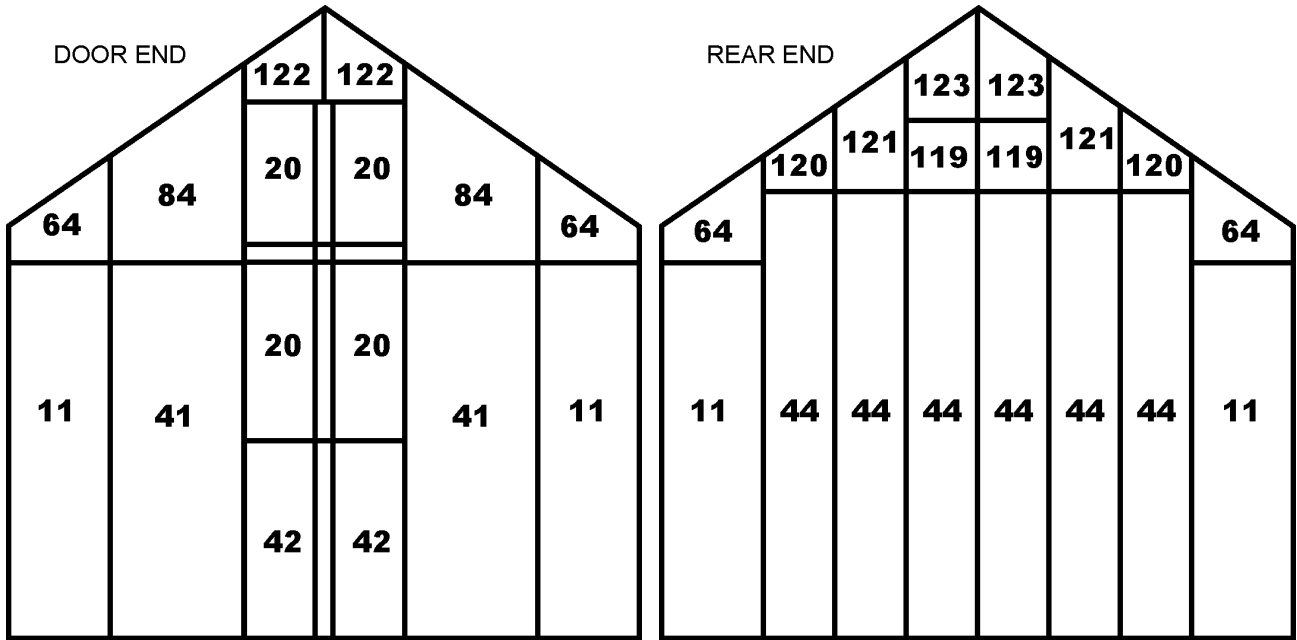
1. Starting with the side, offer the pane to the glazing bars. Hold it in place by inserting two of the stainless steel clips six inches from the bottom of the glass. Fit the curved lip under the glazing bar and then rotate it so that the other lip clips over the edge of the glass. **(Key point).**
2. Secure the glass by inserting additional clips in the same way and equally spaced along each edge. There are enough clips to fit 8 per large pane.
3. Repeat this all along this side of the house, then repeat it for the roof of this side, but note that you have to use two of the stainless steel wire clips on the sides of the panes nearest to the roof vent so that the vent will close correctly. **(Key point).**
4. Repeat on the other side of the house.



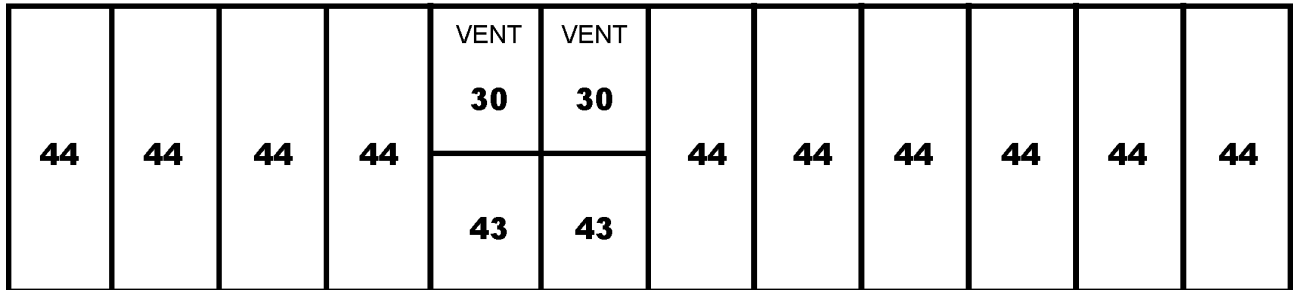
5. Following this, glaze the rear end in a similar fashion. When you have 2 pieces of glass butting up to each other, you butt joint with a PVC muntin. The muntins can be found in the small shapes glass pack. Put the PVC overlap piece on top of the lower pane making sure you have differentiated between the inside and the outside of the PVC muntin. The next pane sits on top of the muntin and is clipped in as normal.
6. Proceed to the door end and glaze that, but use wire clips on the vertical glazing bars that form the door opening, so that the doors slide open correctly. **(Key point).**
7. When fitting the roof glass, you must utilise the PVC roof spacer (610mm long). These are found in the glass packs along with the muntins. This is fitted to the top edge of the glass and then pushed under the ridge flange. The roof spacer needs to be cut to length (see diagram).



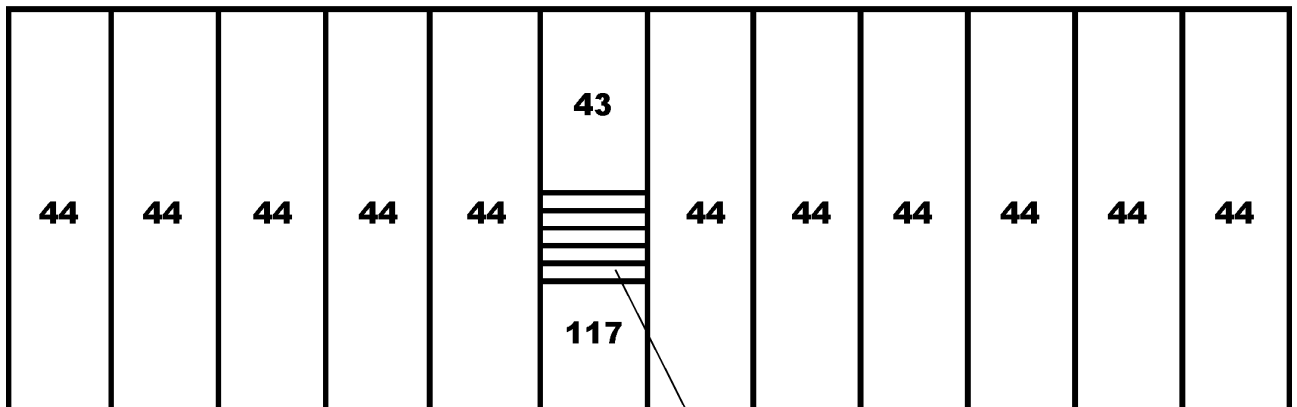
THYME 8' GLAZING PLAN BUILT IN BASE



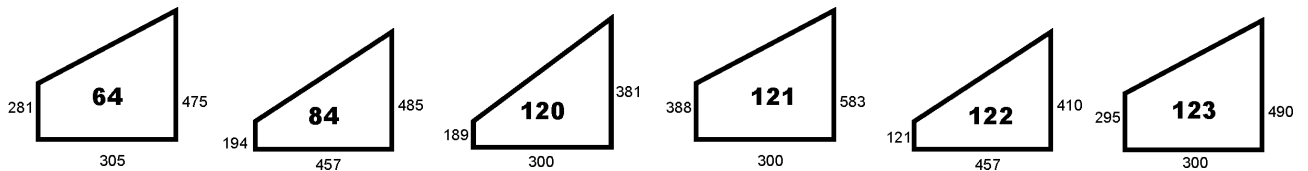
ROOF



SIDE



5 @ 51



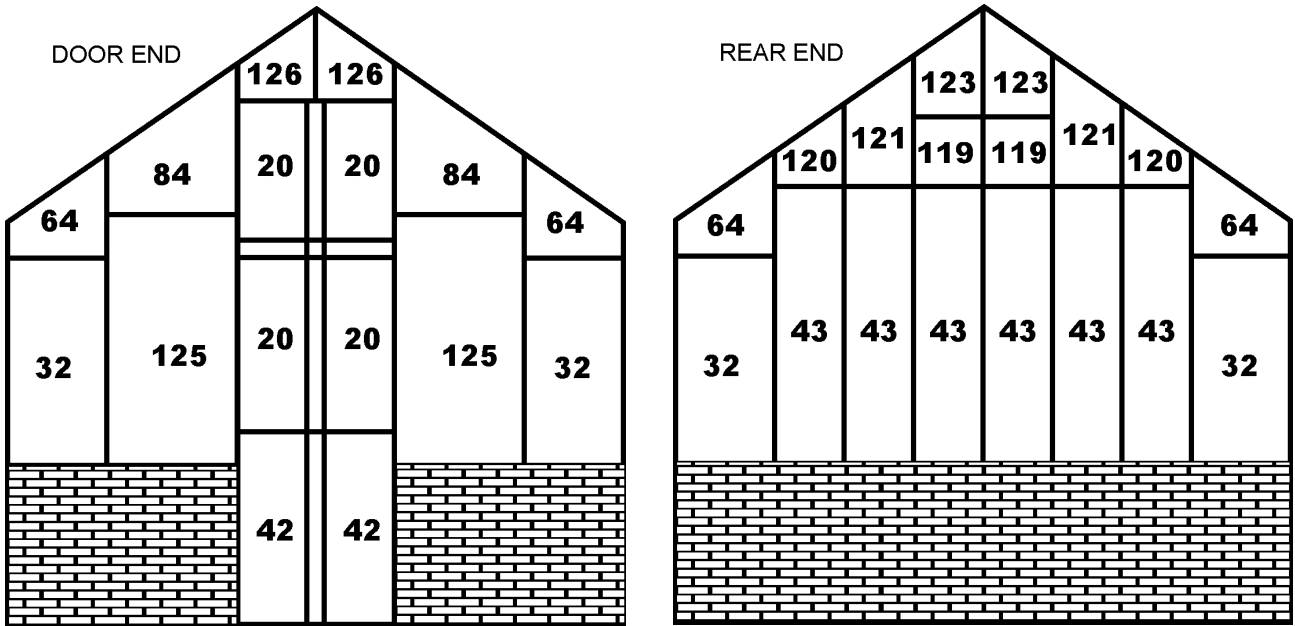
**THYME 8' WIDE
BUILT IN BASE**

TOUGHENED GLASS APPLICATION

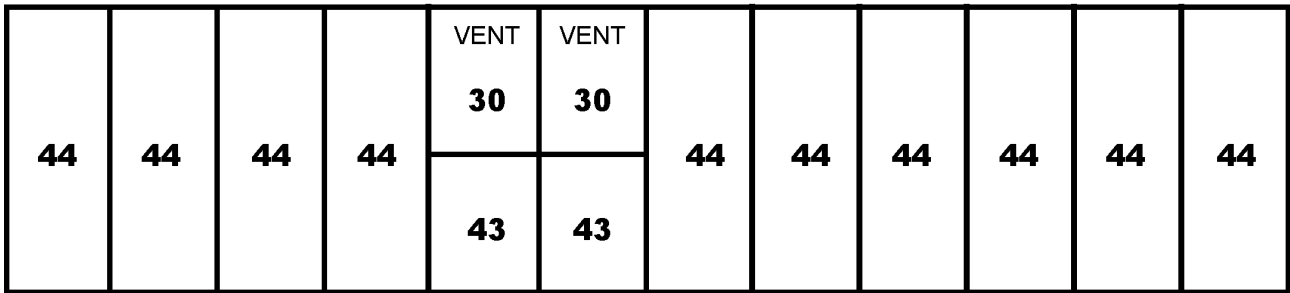
Model	11	20	30	41	42	43	44	51	64	84	117	119	120	121	122	123
6x8	4	4	2	2	2	4	26	10	4	2	2	2	2	2	2	2
8x8	4	4	4	2	2	6	32	10	4	2	2	2	2	2	2	2
10x8	4	4	4	2	2	6	40	10	4	2	2	2	2	2	2	2
12x8	4	4	4	2	2	6	48	10	4	2	2	2	2	2	2	2
14x8	4	4	8	2	2	10	52	10	4	2	2	2	2	2	2	2
16x8	4	4	8	2	2	10	60	10	4	2	2	2	2	2	2	2
18x8	4	4	12	2	2	14	64	10	4	2	2	2	2	2	2	2
20x8	4	4	12	2	2	14	72	10	4	2	2	2	2	2	2	2

Glass ref	Size (mm)
11	305 x 1197
20	450 x 457
30	300 x 610
41	457 x 1489
42	450 x 610
43	300 x 904
44	300 x 1489
51	261 x 100
117	300 x 140
119	300 x 290

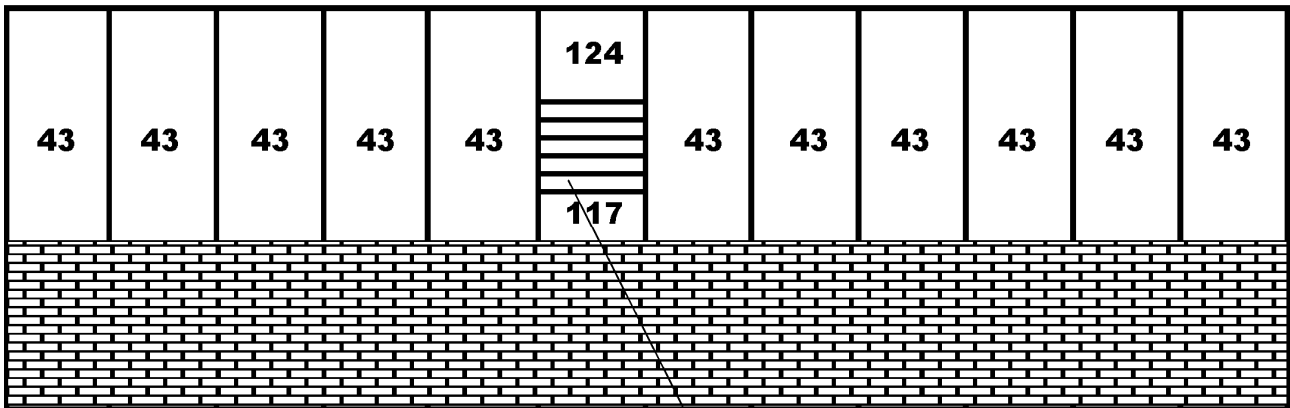
THYME 8' GLAZING PLAN DWARF WALL



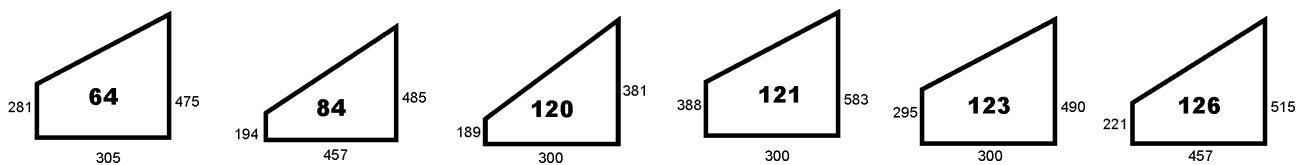
ROOF



SIDE



5 @ 51



**THYME 8' WIDE
DWARF WALL
TOUGHENED GLASS APPLICATION**

Model	20	30	32	42	43	44	51	64	84	117	119	120	121	123	125	126
6x8	4	2	4	2	18	10	10	4	2	2	2	2	2	2	2	2
8x8	4	4	4	2	24	12	10	4	2	2	2	2	2	2	2	2
10x8	4	4	4	2	28	16	10	4	2	2	2	2	2	2	2	2
12x8	4	4	4	2	32	20	10	4	2	2	2	2	2	2	2	2
14x8	4	8	4	2	40	20	10	4	2	2	2	2	2	2	2	2
16x8	4	8	4	2	44	24	10	4	2	2	2	2	2	2	2	2
18x8	4	12	4	2	52	24	10	4	2	2	2	2	2	2	2	2
20x8	4	12	4	2	56	28	10	4	2	2	2	2	2	2	2	2

Glass ref	Size (mm)
20	450 x 457
30	300 x 610
32	305 X 610
42	450 x 610
43	300 x 904
44	300 x 1489
51	261 x 100
117	300 x 140
119	300 x 290
125	457 X 904

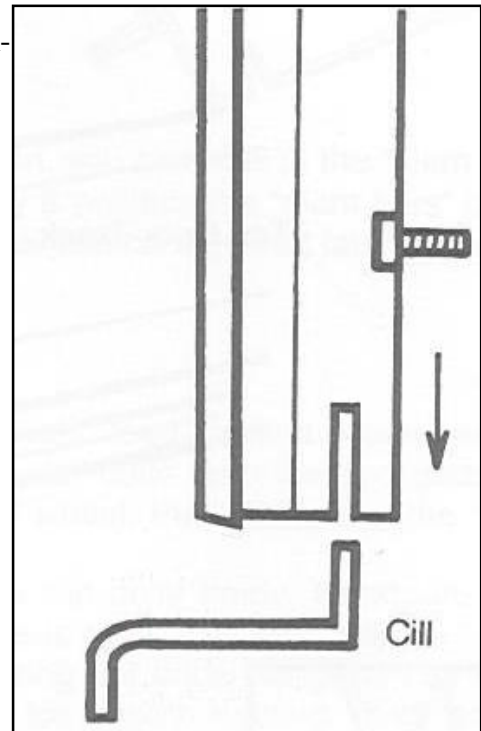
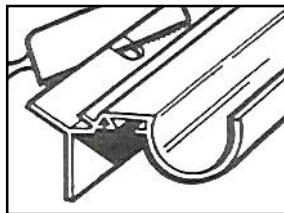
PARTITION

If you have purchased a partition it is at this point that you construct the frame in situ. In the box you will find packs marked:

Partition corner bars
Partition built in base pieces/tab cill
Partition door end cill
Partition door end
Partition door track
Partition door panels
Partition door posts

You will also require a number of fittings from the box

2 eave gusset plates
1 ridge gusset plate
Glazing beading
Nuts and bolts



PROCEDURE:

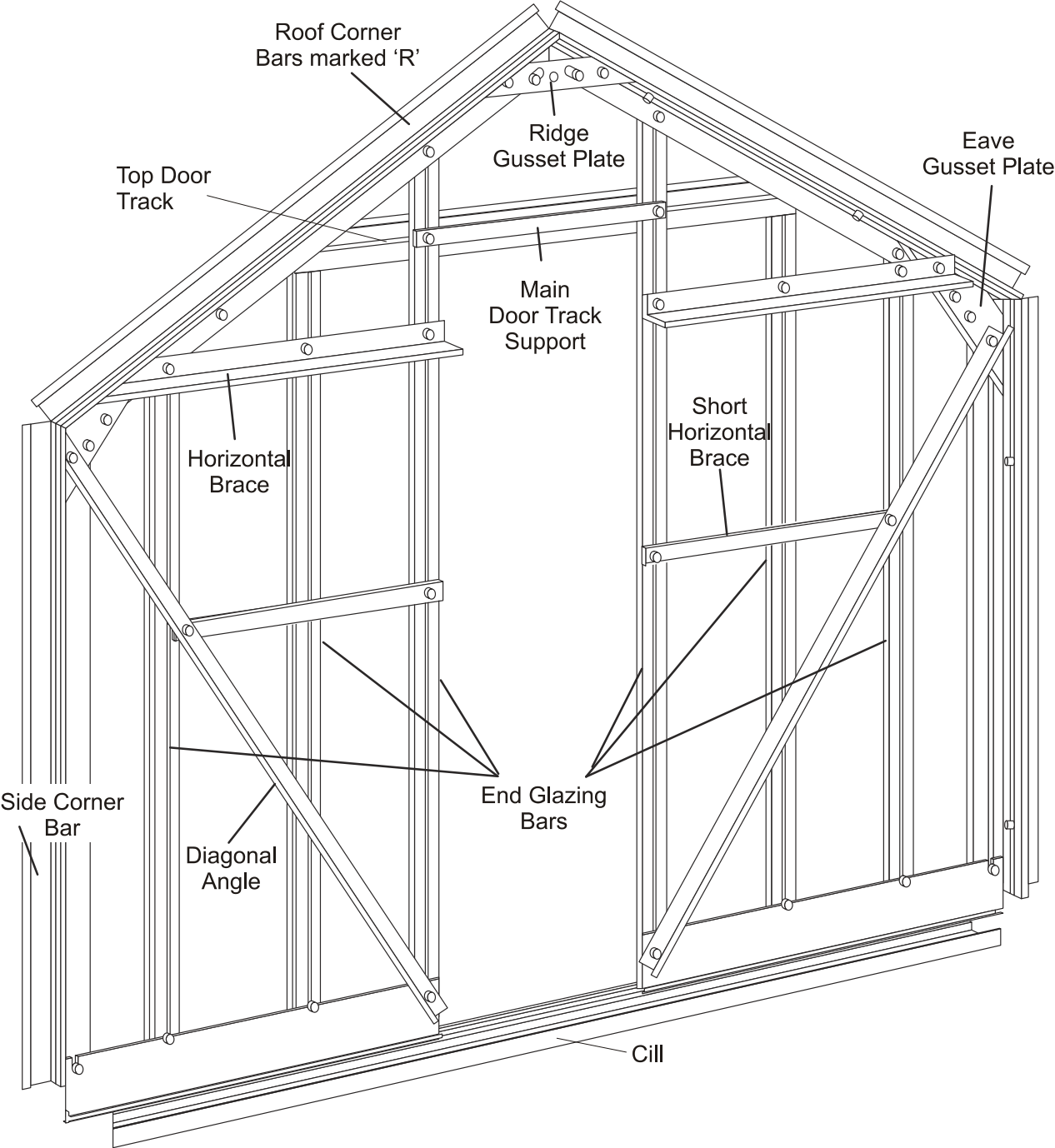
- 1 Starting with the corner bars, identify the roof and side, left and right hands as you did earlier for door end assembly.
- 2 Each bar has a saw cut approx. 20mm into the bar from each end, but apart from that they are identical. Insert glazing beading as before but this time into all 3 grooves of the corner bar. **(Key point).**
- 3 Having established where the partition is going you will need to make the holes in the gutter, ridge and cill into slots. Do this by carefully hacksawing down into the hole to form the slot. (See diagram above).
- 4 For built in base models, you can now decide if the partition doors face the door end or rear end of the greenhouse. For dwarf wall models, the base plan issued by Elite will tell you which way round the doors face. This is not interchangeable on dwarf wall models.
- 5 Take the left hand side bar, insert 2 bolts into the alternative bolt slot, then offer it up to the eave/gutter and cill so that the flange of the cill and the eave are inserted into the saw cuts. **(Key point).**
- 6 Slide the 2 bolts in the bolt slot facing inwards, to the holes in the cill and eave/gutter. Put a nut on and finger tip tighten. Do the same with the left hand roof corner bar, having first inserted 2 bolts into each bolt slot. (Don't forget to ensure that -Rø is at the ridge and not at the eave) now do the same with the other side and roof corner bars.
- 7 Next, offer the gusset plates to the corner bar at the point where they meet. Line up the holes in the gusset plate with the bolt holes in the facing flange of the corner bar. Insert 2 bolts through the gusset plate and flange, put a nut on ó finger tip tight. Do not put the nuts on the upper and lower bolts of the eave gusset plates at this stage. **(Key point).**

8. The built in base/cill can now be attached to the facing bolt slot of the partition corner bar (in the same way you did in the original door end assembly). N.B. If you have a brick base you will need to trim off with a hacksaw the first 20 of the overlapping part of the cill to facilitate a snug fit (dwarf wall model only).
9. Now attach the built in bases to the 2 side base sections of the greenhouse. Firstly bolt an anchor bracket on each end of the partition built in base. If you are on flags or concrete cut off the surplus metal of the legs. Position the cill under the lip on the built in base sections as you did on the door end assembly.
10. Insert glazing beading into all the vertical glazing bars.
11. You can now attach the 1st, 2nd, 6th and 7th glazing bars to the built in base/cill, and the 3rd and 5th glazing bars to the bottom door end cill using the rectangular plate if built in base, or bottom cill/tab cill if dwarf wall as previously done on door end assembly.
12. Insert 4 bolts into the 1st, 3rd, 5th and 7th glazing bar. Insert 1 bolt into the 2nd and 6th glazing bar. The top bolt in all cases is to be attached to the holes in the roof corner bar.
13. Insert 3 bolts into the top of the 1st, 2nd, 6th and 7th glazing bar, and 4 bolts into the 3rd and 5th glazing bar - the last bolt is to be attached to the holes in the roof corner bar.
14. Utilising the extra bolts inserted into each bar, attach the horizontal and diagonal bracing bars in the same way as the original door end. Likewise with the door track support (to be found with the door panels) attach as before.
15. Now fit the small glazing bar over the doors to the unoccupied hole in the ridge gusset plate and door track support.
16. The doors in a partition are a little shorter/narrower than a standard door to facilitate full opening. They are assembled and hung in the same way.

PARTITION DOOR TRACK

Fit the top door track to the partition gable in the same way as for the door end. To position the door track into the correct position fit the partition door onto the track and by slightly releasing the 2 nuts holding the door track support you can move the door up and down until it is correctly into the bottom guide. The door should now run smoothly. If not you can fine tune its operation by re-adjusting the bolts up and down slightly.

PARTITION



ELITE GREENHOUSES BASE DIMENSIONS

For Brick, Block, Concrete or Timber

The dimensions given below may be used to locate the position for your Greenhouse or to lay corner footings if they are needed.

Your greenhouse comes as standard with a base plinth that allows you to fit your greenhouse onto any level area. The measurements given below are the minimum external measurements.

ENSURE that the base is square by measuring across the corners, only when equal is it square. Check the level using a builders spirit level.

MODEL	SIZE	WIDTH	LENGTH
Thyme 8'wide (nominal)	6 X 8	2.545m	1.971m
Built in Base	8 X 8	2.545m	2.589m
	10 X 8	2.545m	3.205m
	12 X 8	2.545m	3.823m
	14 X 8	2.545m	4.441m
	16 X 8	2.545m	5.059m
	18 X 8	2.545m	5.677m
	20 X 8	2.545m	6.295m

For dwarf wall models, ignore the measurement above and refer to the base plan issued by Elite Greenhouses Ltd.

